

# DECmate

---

## Owner's Guide

digital

---

AA-K330E-TA

# DECmate Owner's Guide

DIGITAL EQUIPMENT CORPORATION  
Maynard, Massachusetts

AA-K330E-TA  
First Printing, July 1981  
Fifth Printing, July 1982

The information in this document is subject to change without notice and should not be construed as a commitment by Digital Equipment Corporation. Digital Equipment Corporation assumes no responsibility for any errors that may appear in this document.

The software described in this document is furnished under a license and may be used or copied only in accordance with the terms of such license.

Digital Equipment Corporation assumes no responsibility for the use or reliability of its software on equipment that is not supplied by DIGITAL.

Copyright © 1981, 1982 Digital Equipment Corporation. All Rights Reserved.

The postage prepaid Reader's Comments Form on the last page of this document requests the user's critical evaluation to assist us in preparing future documentation.

The following are trademarks of Digital Equipment Corporation:

DEC	DECtape	RSX	DECUS
DECwriter	MASSBUS	UNIBUS	DECnet
DIGITAL	PDP	VAX	DECsystem-10
Edusystem	PDT	VMS	DECSYSTEM 20
IAS	RSTS	VT	<b>digital</b>

## IMPORTANT

DIGITAL has provided a toll-free number in Atlanta for its users. You can call this number any time you are having problems installing or operating your system. The number to call is:

**(800) 241-6580**

When calling the DIGITAL Office System Service Group for information, you must be able to give your "DECnumber," also known as the "access number." You cannot receive service without this number.

This number is on a label inside your customer envelope. Affix the label to this page.

stick label here

# DECmate Owner's Guide

## Table of Contents

Preface

Installation - Read this first

Chapter 1

Install Your Pedestal DECmate.....1-1

Chapter 2

Install your Basic DECmate and Minidesk system.....2-1

Chapter 3

Install Your Printer.....3-1

- Identify Your Printer.....3-1
- DECprinter III (LA120 Matrix Printer).....3-3
- DECwriter IV (LA34 Matrix Printer).....3-9
- Letter Quality Printer.....3-15
- LQP02 Printer.....3-15
- LA100.....3-17

Chapter 4

Install Printer Accessories and Supplies.....4-1

- Identify Your Printer.....4-1
- DECprinter III (LA120 Matrix Printer).....4-2
- DECwriter IV (LA34 Matrix Printer).....4-10
- Letter Quality Printer.....4-14
- LQP02 Printer.....4-21
- LA100.....4-29

Chapter 5

DECmate Operation.....5-1

- Turning on Your System.....5-1
- Testing Your System.....5-5
- Set-Up Mode.....5-18
- Care and Maintenance.....5-21

Chapter 6

RL02 Disk Systems.....6-1

- Overview.....6-1
- Turning on Your System.....6-3
- Installing and Removing a Disk.....6-4
- Operating Your DECmate RL02 Disk System...6-10

Chapter 7

Modems and Communications.....7-1

- DF01.....7-1
- DF02.....7-1
- DF03.....7-3
- Communicating with a Host Computer.....7-3

Chapter 8	
Services, Training & Supplies.....	8-1
- Services.....	8-1
- Training.....	8-4
- Supplies & Accessories.....	8-4
Chapter 9	
U.S. Environment and Power Requirements.....	9-1
Chapter 10	
European Environment and Power Requirements.....	10-1
Index	

## Preface

Revision E

The DECmate Owner's Guide is your introduction to the DECmate system.

If you purchased word processing software or some of the business applications software such as Accounts Receivable or the Dental Management System, you also received a software application manual that describes the software you bought.

The DECmate Owner's Guide tells you when to start using the software application manuals.

# Installing Your DECmate System

\*\*\*\*\*

Installation - Read this first.

\*\*\*\*\*

The purpose of the following section is to show you how to install your DECmate system. After you have installed your system, the instructions will guide you to another chapter to show you how to operate your system.

The instructions follow a series of logical steps. There are two types of instructions:

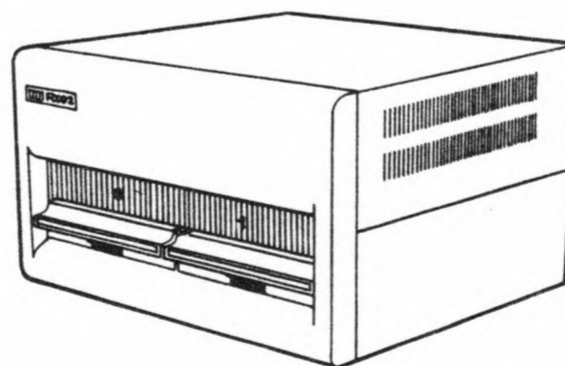
- A double row of asterisks (\*\*\*\*\*) tells you where to proceed in the manual.
- A single asterisk (\*) indicates a step in installation procedures.

There are three types of DECmate systems available.

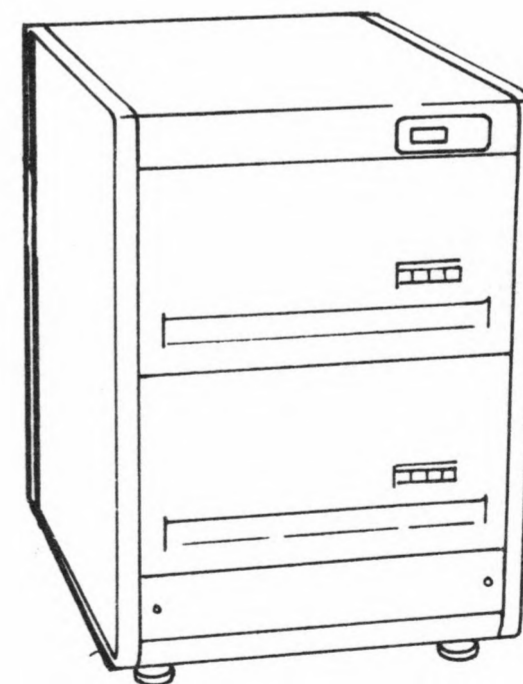
- DECmate systems using an RX02-P pedestal diskette drive unit
- DECmate systems using RX02 diskette drive units
- DECmate systems using RL02 disk drive units



RX02-P PEDESTAL



RX02  
DISKETTE DRIVE



RL02 DRIVE

Determine which type of DECmate system you are installing. In order to do this...

\*\*\*\*\*

Turn to the next page.

\*\*\*\*\*



Determine the type of diskette or disk drive unit you have purchased by reading the cartons. Do not open the cartons yet.

\*\*\*\*\*

If you have an RX02-P diskette drive unit, turn to the tab labeled Installing Pedestal.

If you have an RX02 diskette drive unit, turn to the tab labeled Installing Basic and Minidesk.

If you have an RL02 disk drive unit, it will be installed by Field Service. Turn to the tab labeled DECmate Operation for operating instructions.

\*\*\*\*\*



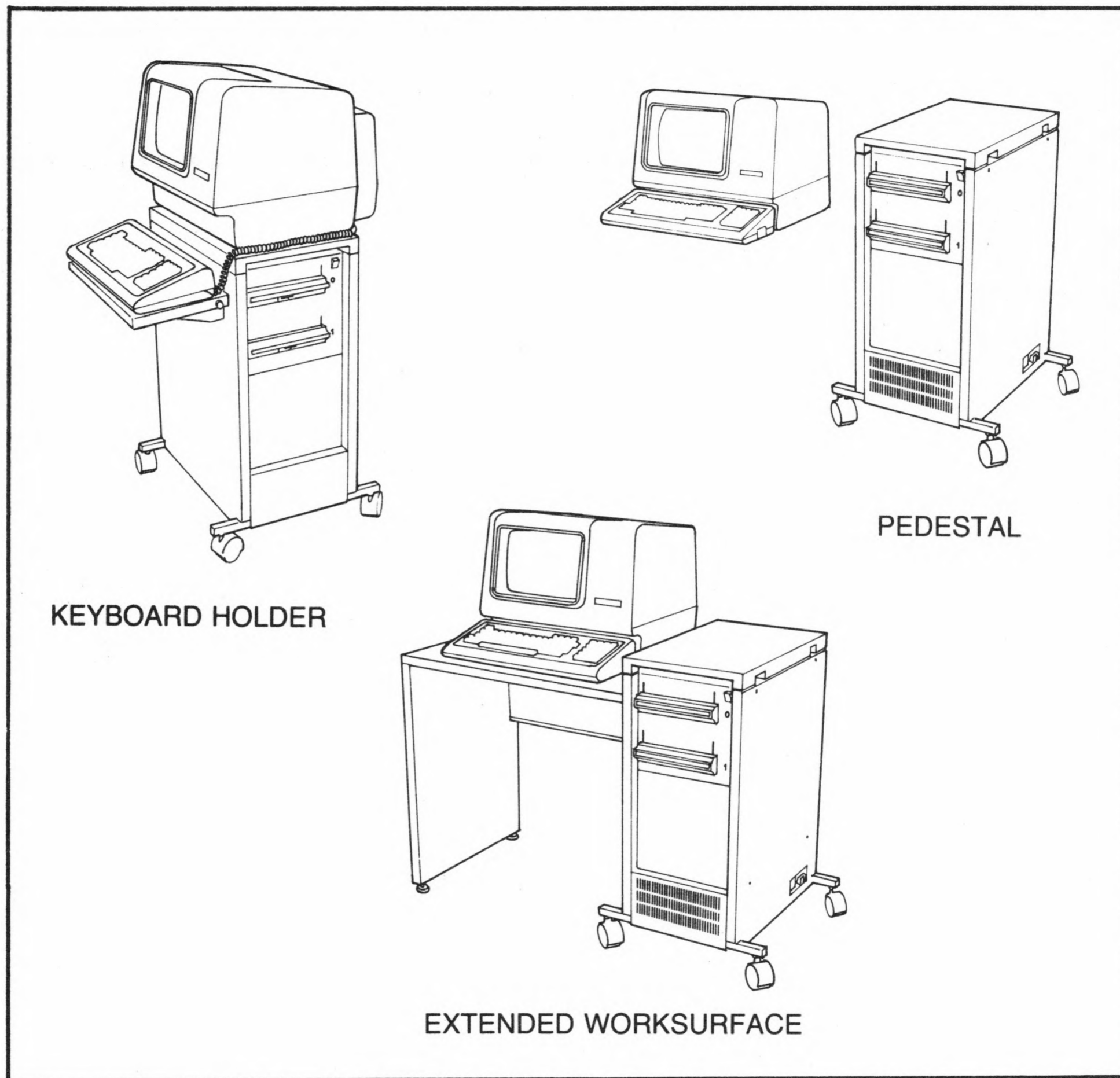
# Chapter 1

## Install Your DECmate Pedestal

\*\*\*\*\*

Start here if you have a carton labeled RX02-P diskette drive unit.

\*\*\*\*\*



There are three configurations possible in the DECmate Pedestal system. Following this page is a checklist for each different configuration. Each checklist contains a description of the configuration, and a list of the equipment in each one. Do not unpack your system until you are told to do so by the instructions.

If problems arise, call the Customer Service Hot Line at (800) 241-6580. If possible, complete installation before reporting problems to your DIGITAL representative.

Before cabling, be certain that your office has the proper environmental and power requirements for your particular DECmate system. See Chapters 9 and 10.

Do not attempt to connect any of the cables until the instructions tell you to do so.

Unpack and assemble DECmate near its permanent location.

\*\*\*\*\*

Proceed through the following instructions until you reach another instruction like this one.

Turn to the next page.

\*\*\*\*\*

\*\*\*\*\*

Consult the following three checklists and determine which DECmate configuration you have.

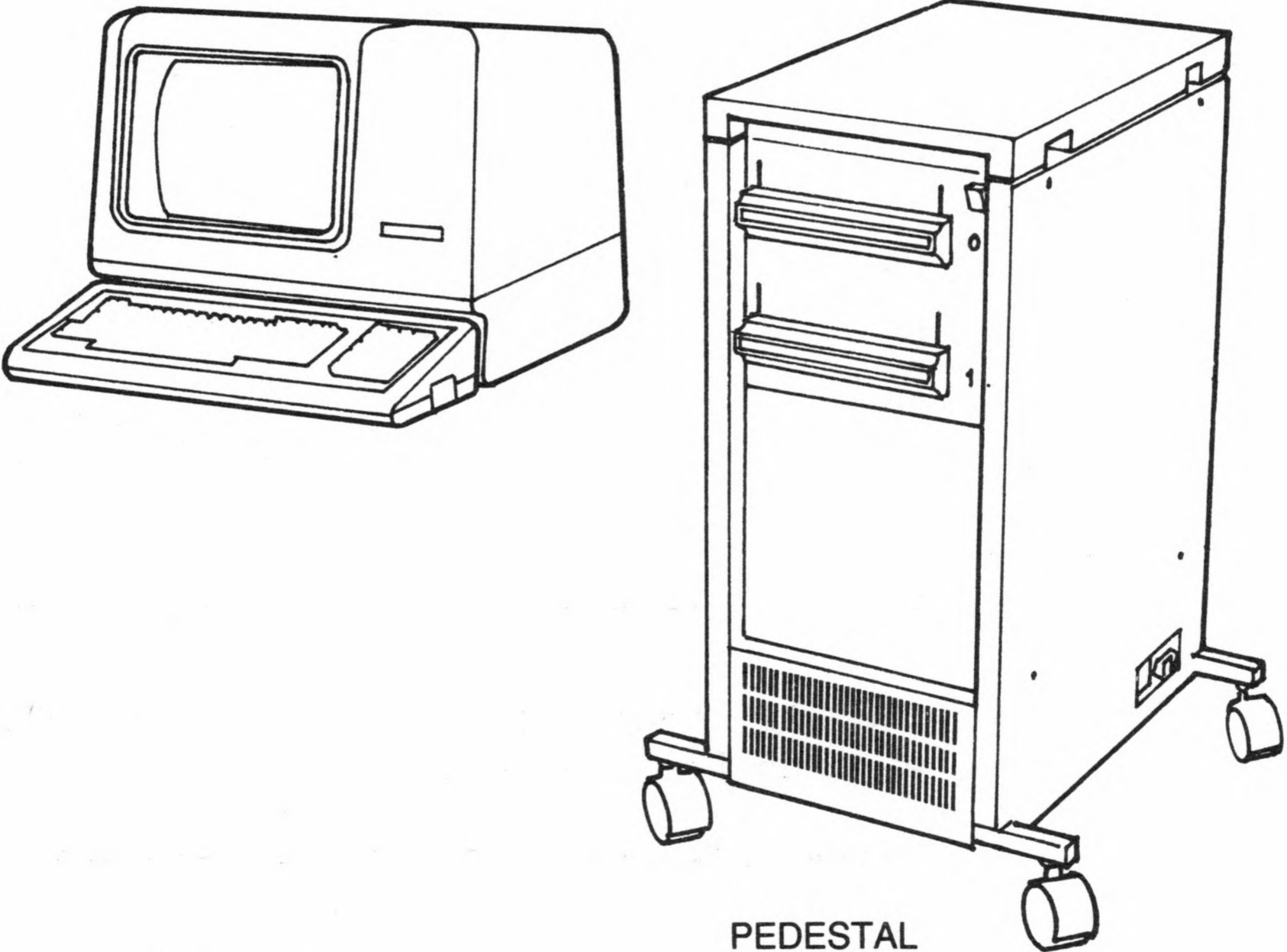
Do not unpack the cartons yet - you will be able to tell the configuration by the labels on the boxes.

\*\*\*\*\*

### Checklist for Pedestal

The DECmate Pedestal system includes:

- a DECmate terminal (video data processor) and keyboard
- an RX02-P diskette drive unit
- connecting cables and accessories
- 10' Terminal/disk cable



PEDESTAL

Keyboard holder is not used in this configuration.

You will need a straight-bladed screwdriver and a pair of wire cutters to install your system.

\*\*\*\*\*

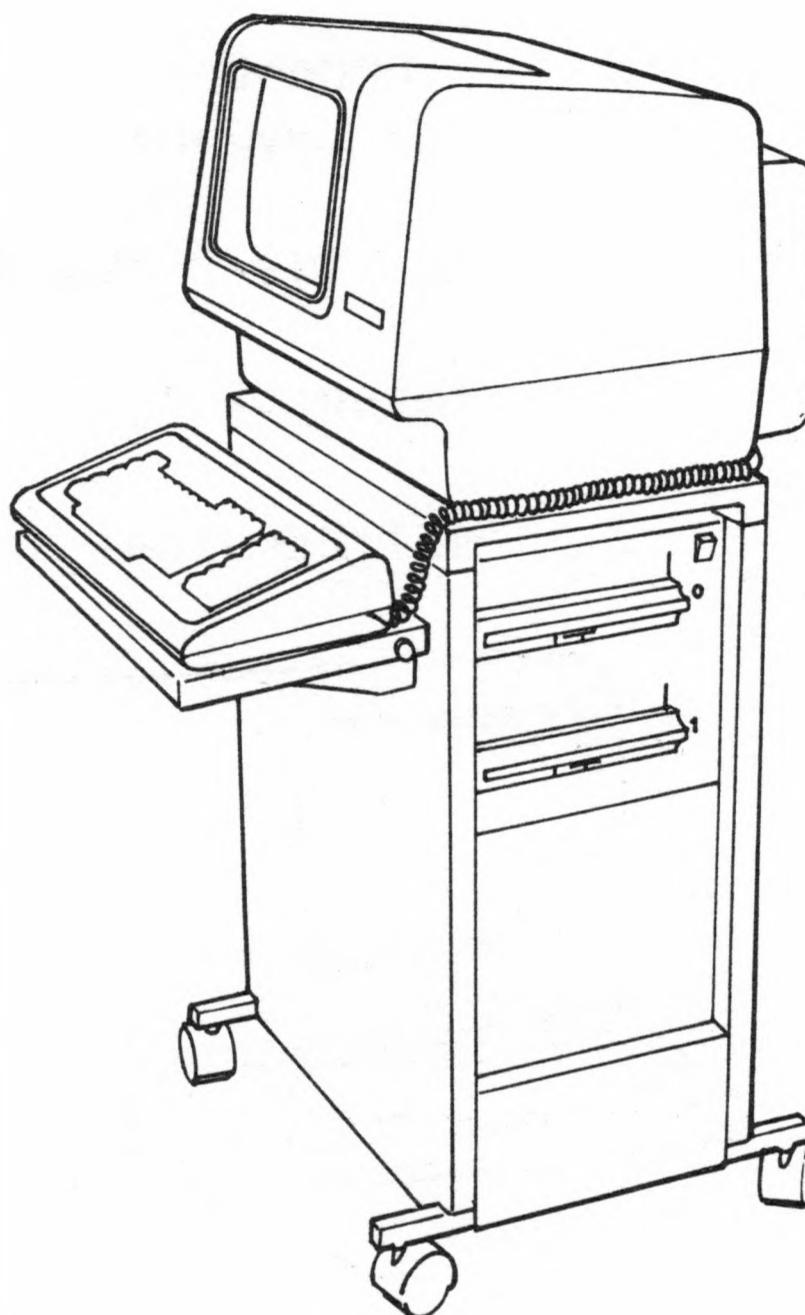
Go to page 1-6 to begin unpacking.

\*\*\*\*\*

**Checklist for  
DECmate Pedestal  
with  
Keyboard Holder**

The DECmate Pedestal with Keyboard Holder includes:

- a DECmate terminal (video data processor) and keyboard
- an RX02-P diskette drive unit
- keyboard holder
- connecting cables and accessories



You will need a straight-bladed screwdriver and a pair of wire cutters to install your system.

\*\*\*\*\*

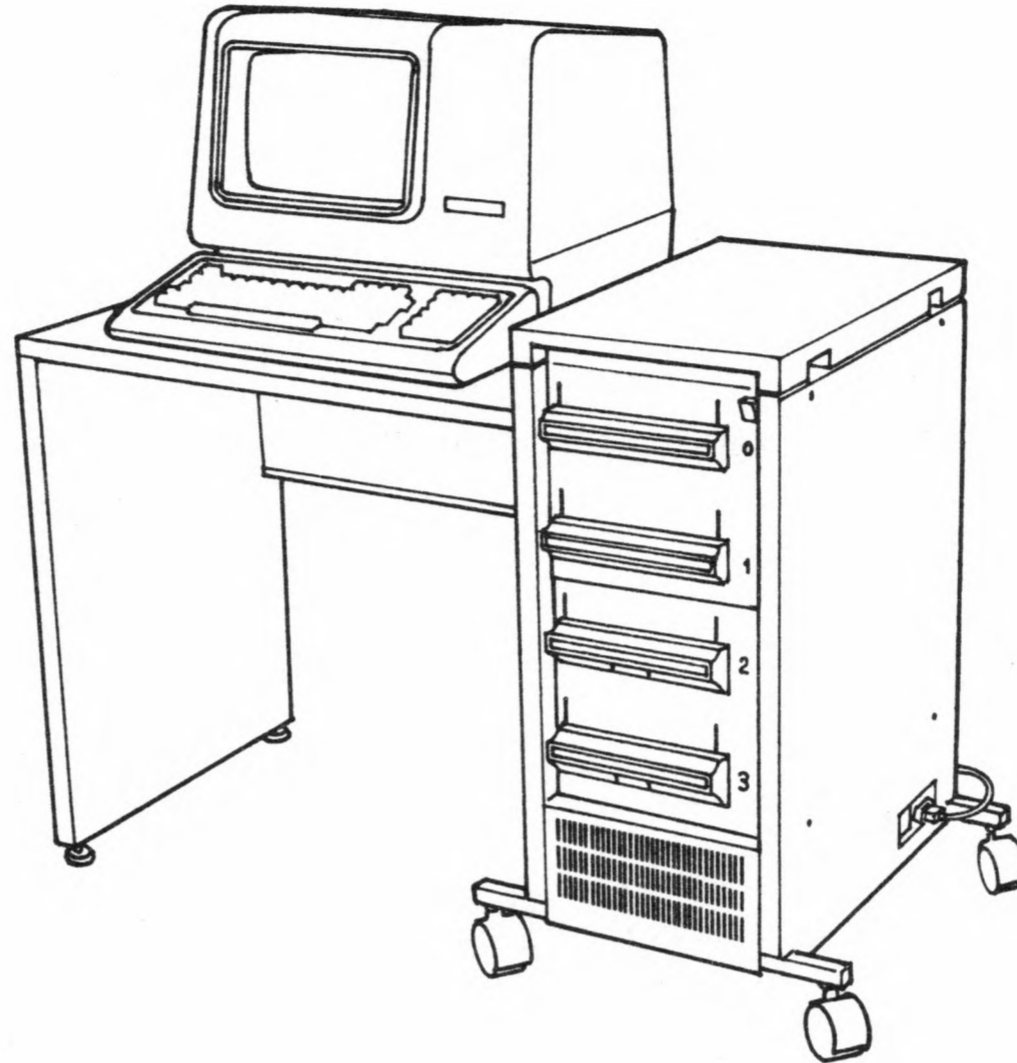
Go to page 1-6 to begin unpacking.

\*\*\*\*\*

**Checklist for  
DECmate Pedestal  
with Extended  
Worksurface**

The DECmate Pedestal with Extended Worksurface includes:

- a DECmate terminal (video data processor) and keyboard
- an RX02-P diskette drive unit
- steel panels, screws
- connecting cables and accessories



You will need a straight-bladed screwdriver, a Phillips screwdriver, and a pair of wire cutters to install your system.

\*\*\*\*\*

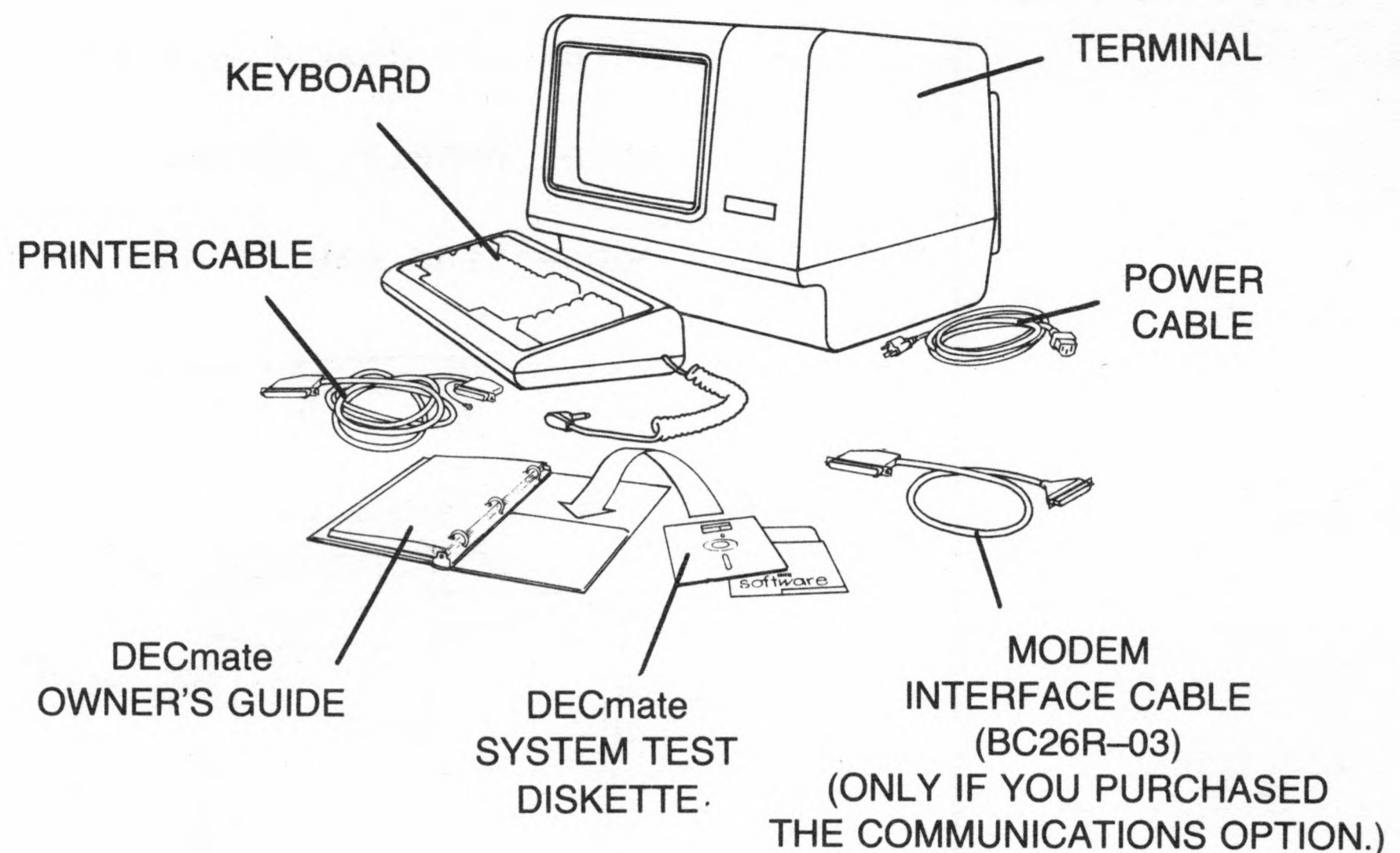
Go to page 1-6 to begin unpacking.

\*\*\*\*\*

## How to Unpack Your DECmate Terminal (Video Data Processor)

### Caution

The terminal weighs 35 lb (16 kilos).  
Two people may be needed to lift it.



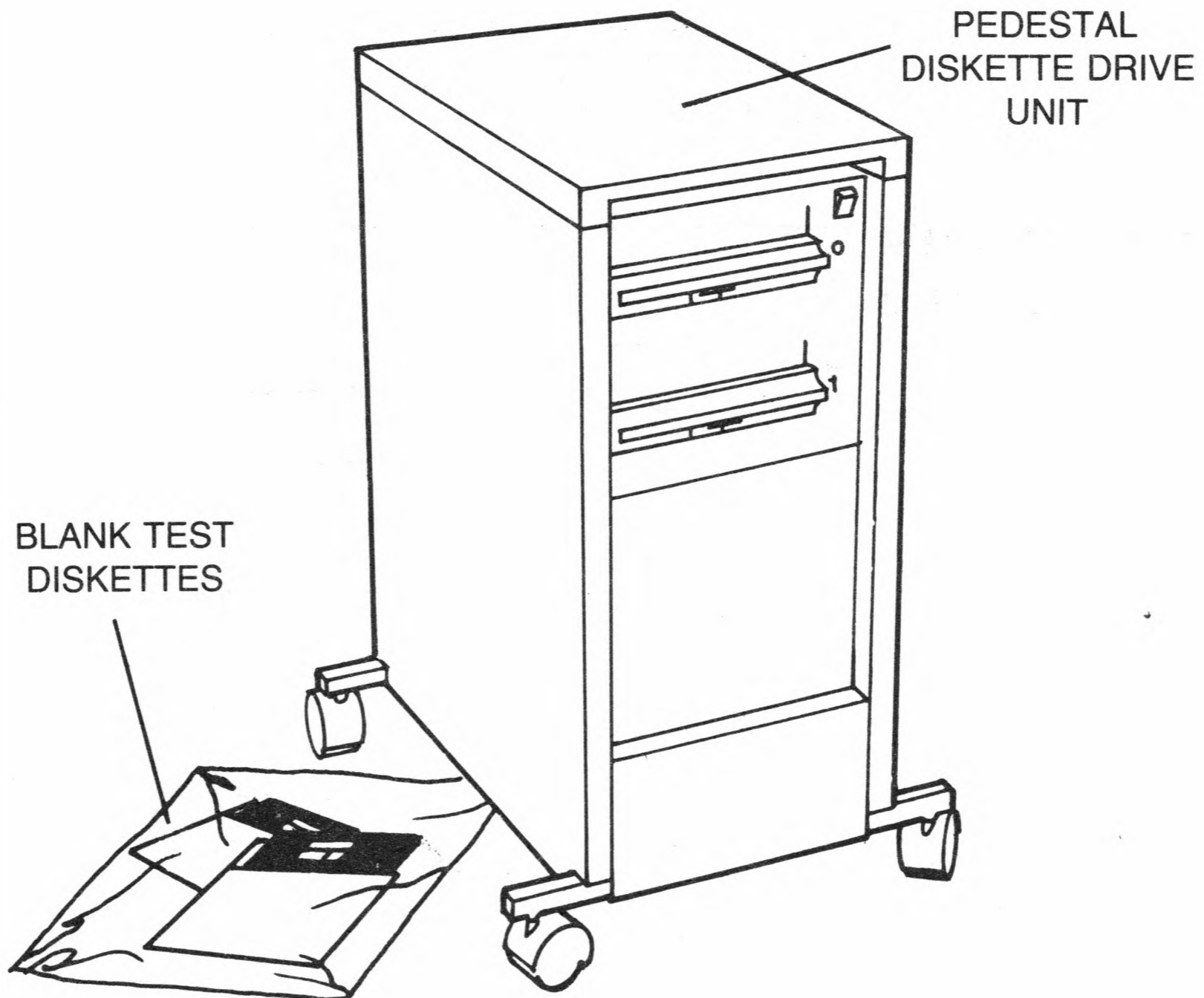
- \* Unpack your accessories box. This box contains cables, accessories, and disks you will need to install your DECmate system. At the end of installation you may have some cables left over. Keep these cables for future use.
- \* Unpack contents of video data processor carton.
- \* Inspect terminal and parts for shipping damage.
- \* Set terminal and keyboard aside, while you unpack and install the diskette drive unit.



## How to Set Up Your Diskette Drive Unit

### Caution

A dual-drive diskette drive unit weighs 108 lb (49 kilos). A quad-drive diskette drive unit weighs 140 lb (63 kilos). Two people are needed to unpack and install either unit.



- \* Unpack the diskette drive unit according to the instructions on the carton.
- \* Inspect diskette drive unit for shipping damage.
- \* Roll drive unit near the area where it will be permanently placed.
- \* Press system power switch to 0 (off).

\*\*\*\*\*

If you have a DECmate pedestal with keyboard holder, skip to page 1-16.

If you have a DECmate pedestal with no options, or a pedestal with extended worksurface, turn to the next page.

\*\*\*\*\*

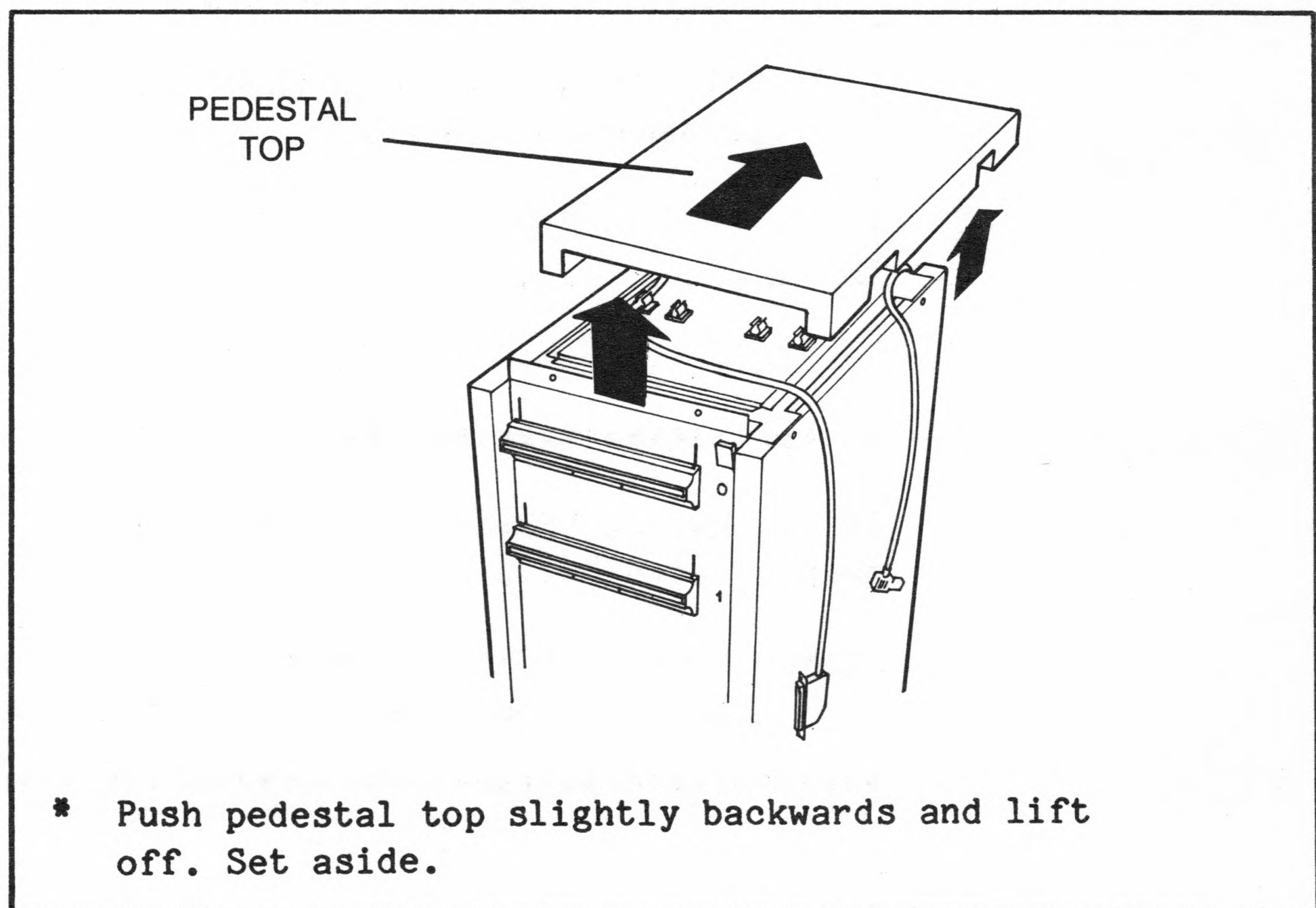
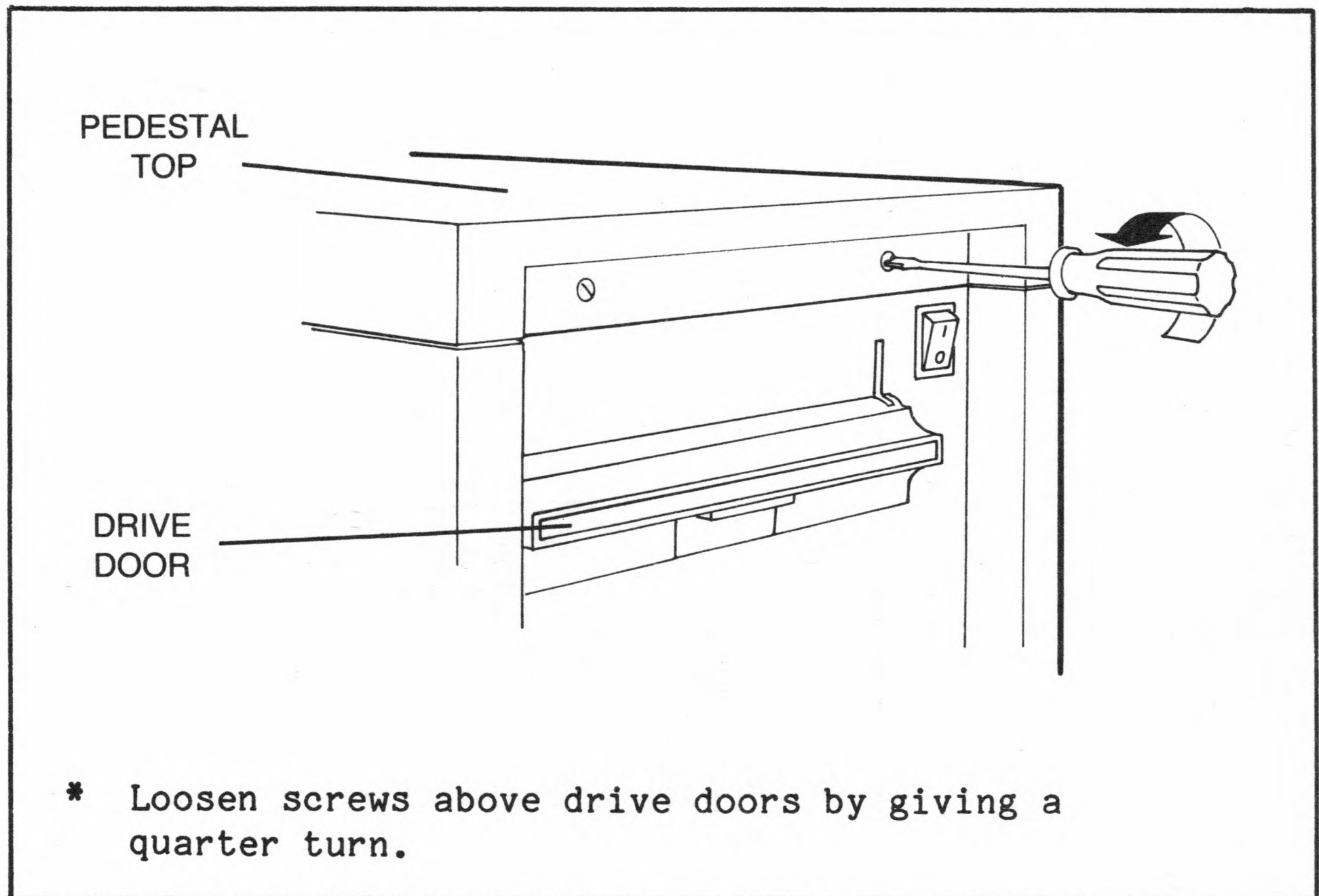
\*\*\*\*\*

If you have a DECmate Pedestal with no options, or a pedestal with extended worksurface, continue below.

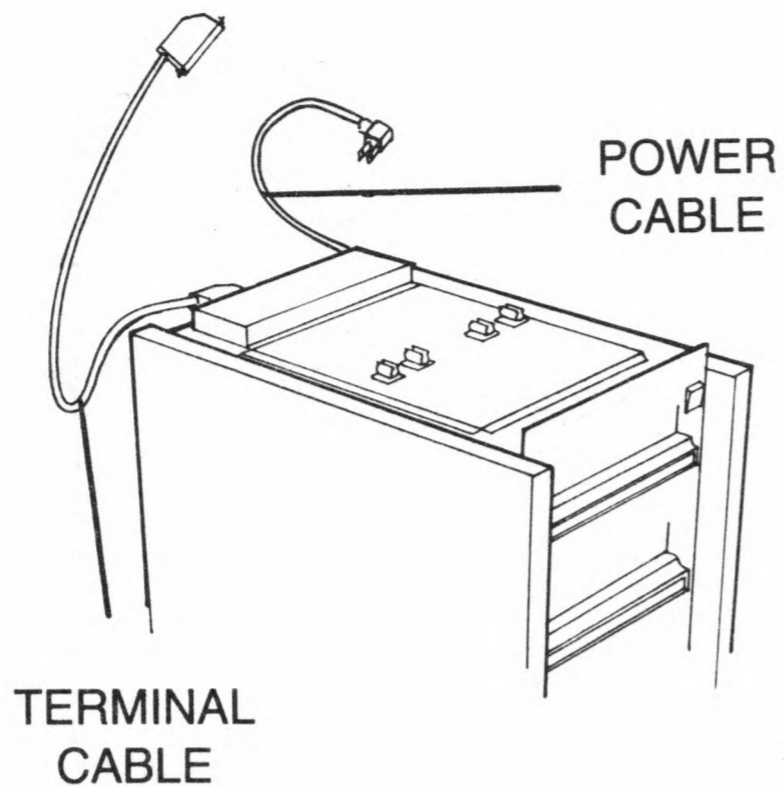
\*\*\*\*\*

The DECmate Pedestal System - when it includes no options or an extended worksurface, requires rerouting of the cables inside the pedestal. This procedure is explained in the following steps.

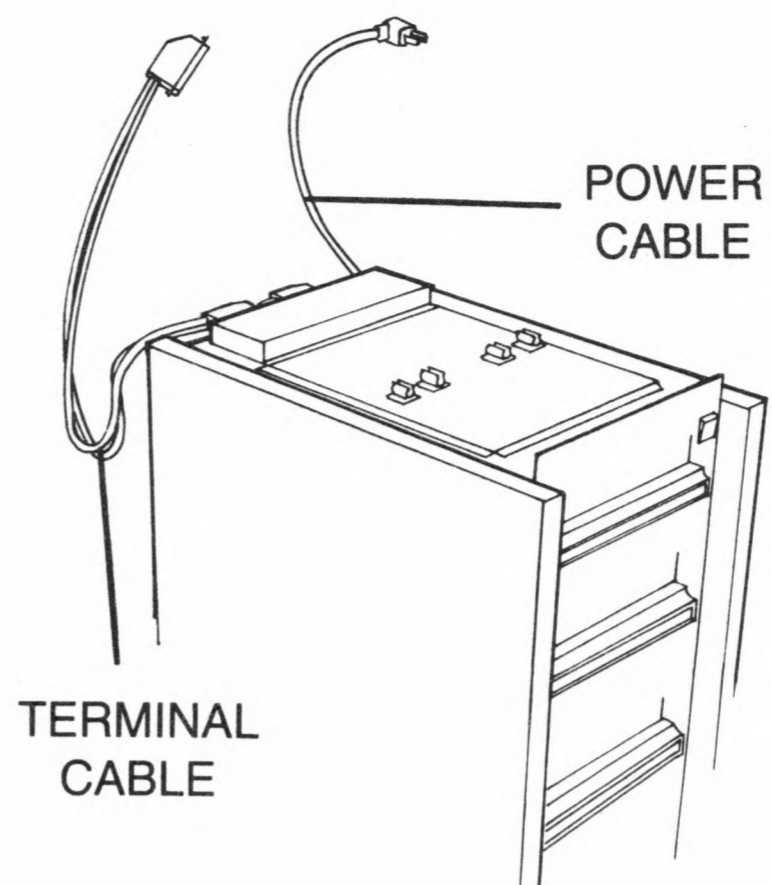
## How to Re-route Cables



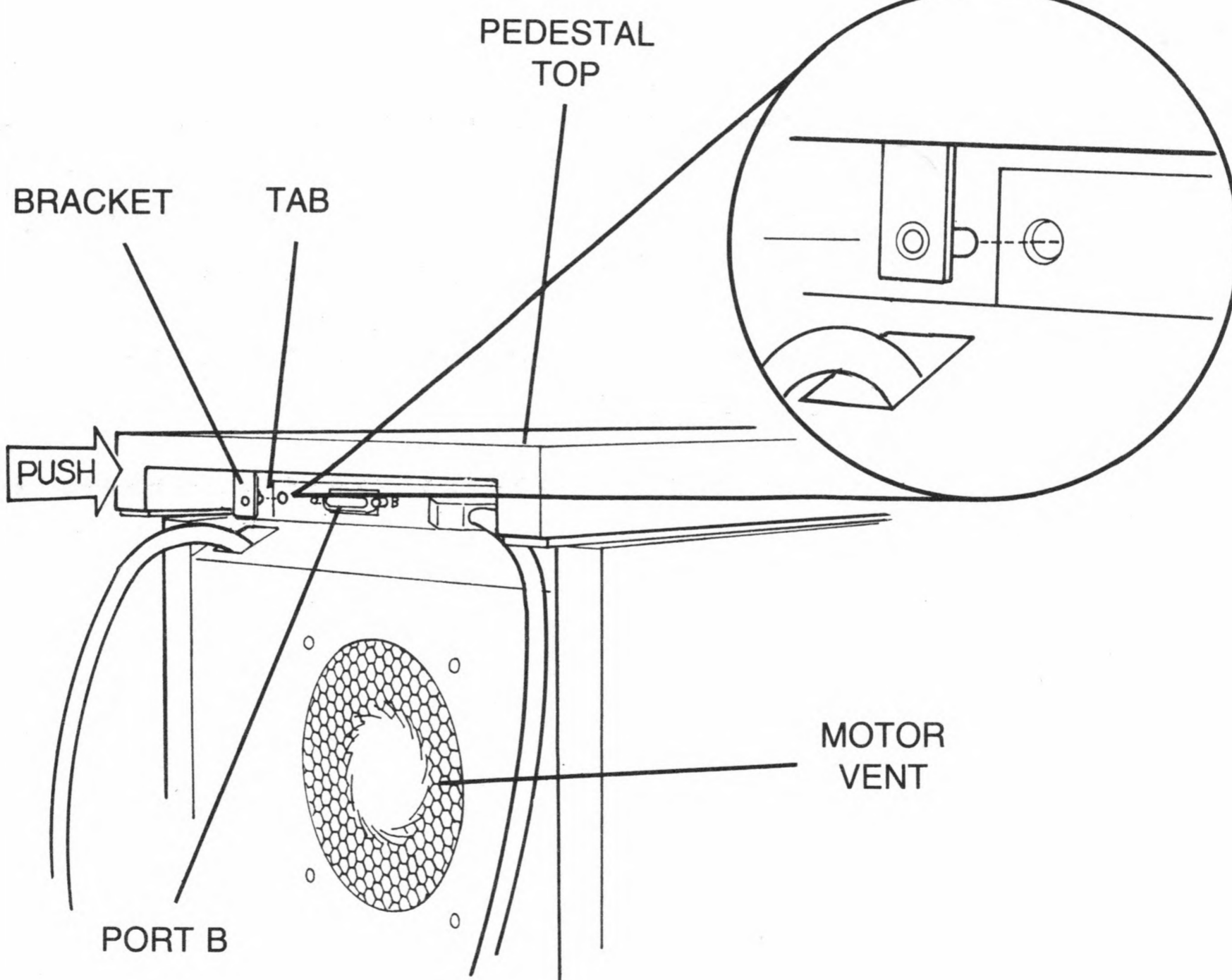
DUAL-DRIVE DECmate  
PEDESTAL



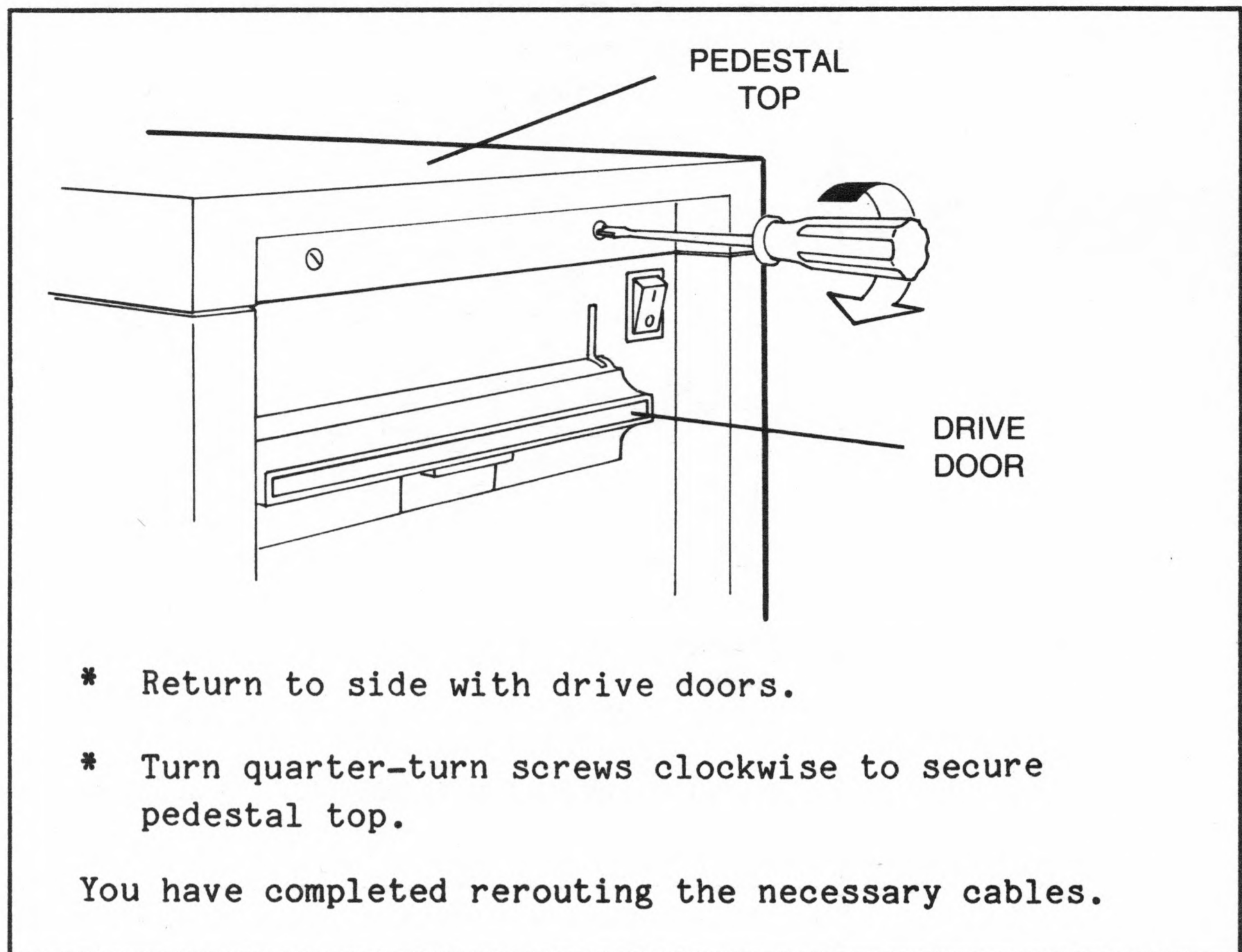
QUAD-DRIVE DECmate  
PEDESTAL



- \* Lift gray terminal/disk cable(s) and black power cable, and drape cables behind pedestal.



- \* Set top onto pedestal.
- \* Go to the side of the drive unit that has the motor vents.
- \* Push pedestal top in direction shown until the round tabs on the bracket backs fit snugly into the holes next to ports A and B.



\*\*\*\*\*

If you have a DECmate pedestal with no options, skip to page 1-18 for cabling instructions.

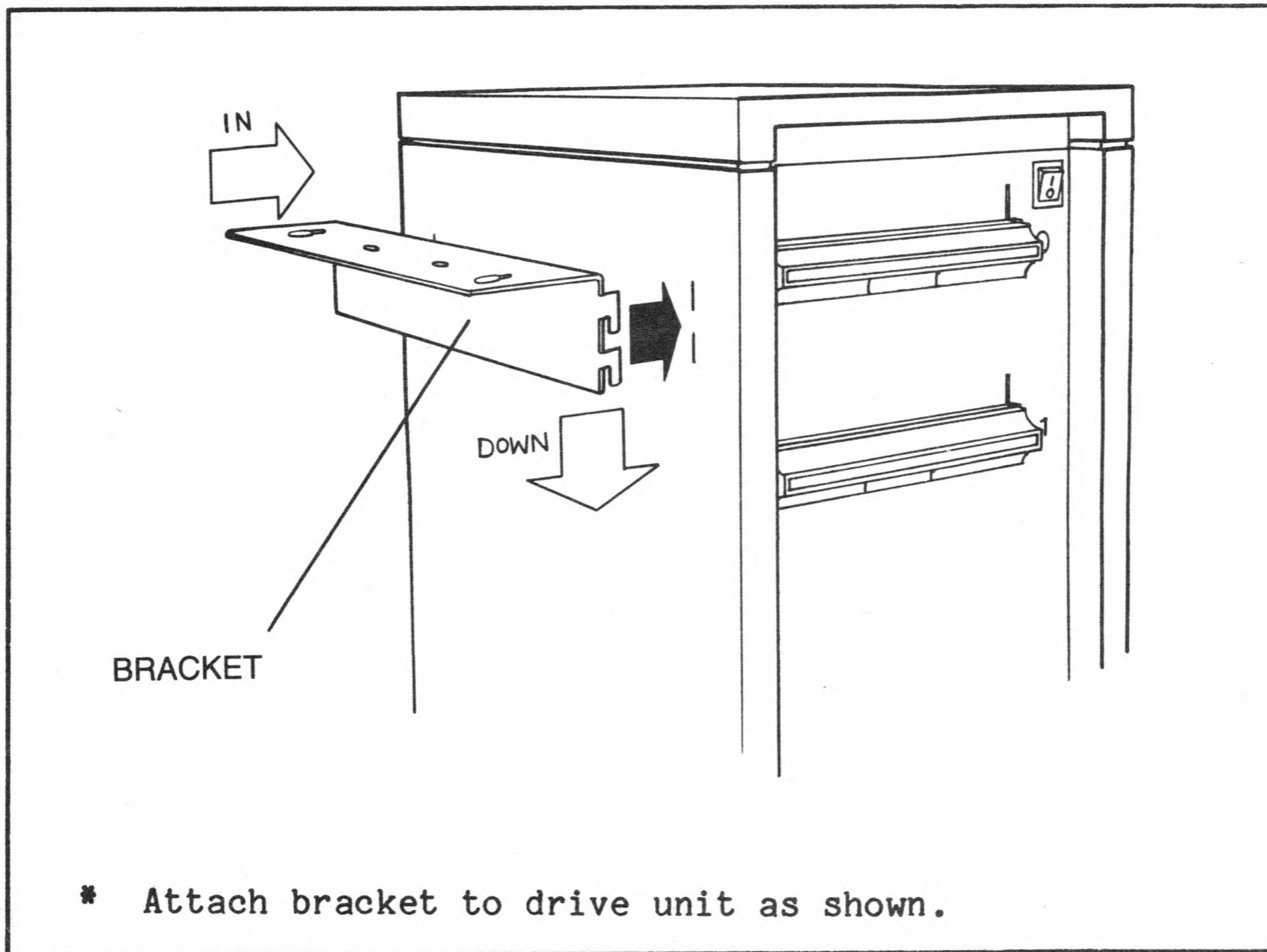
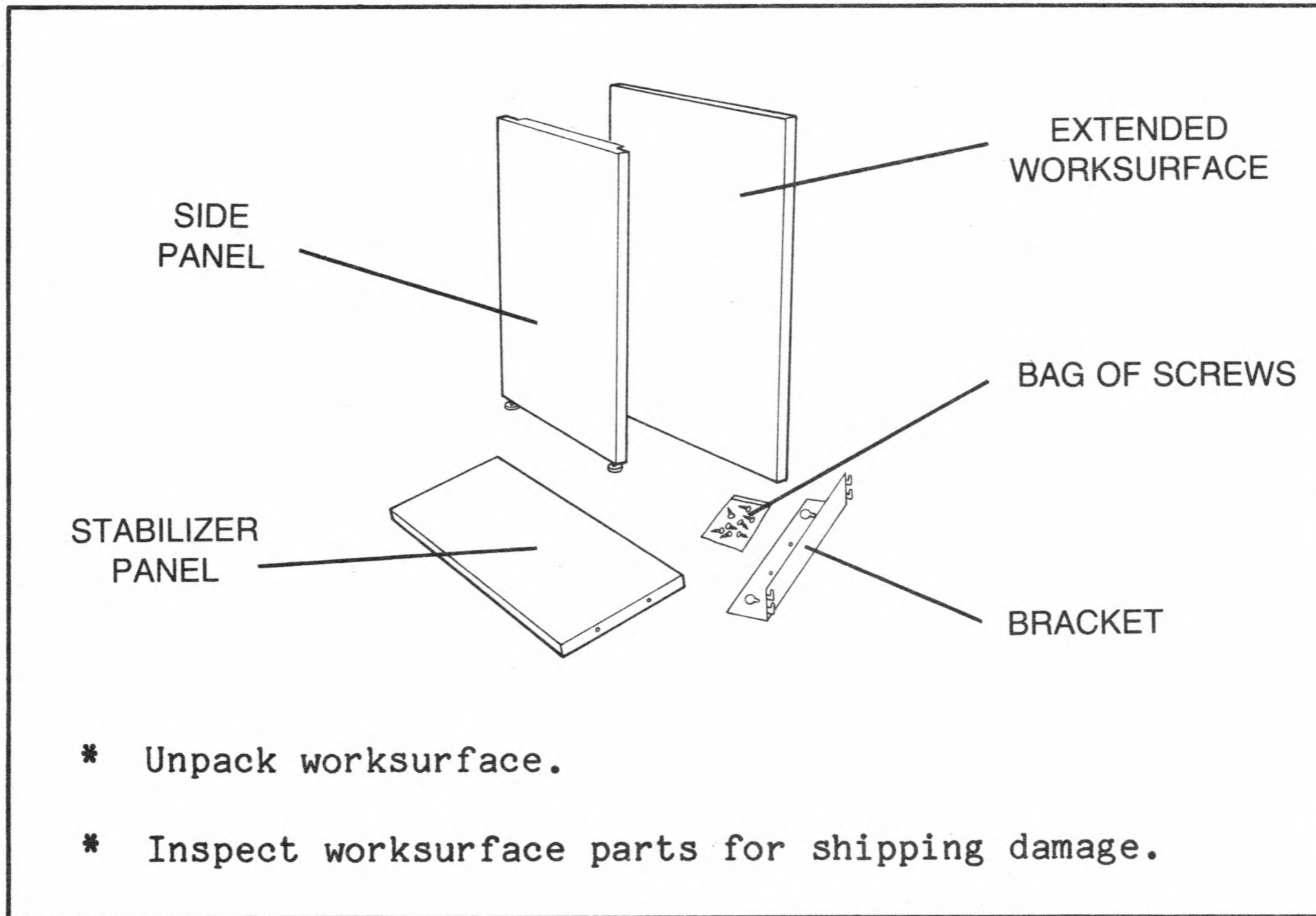
If you have a pedestal with extended worksurface, turn to the next page.

\*\*\*\*\*

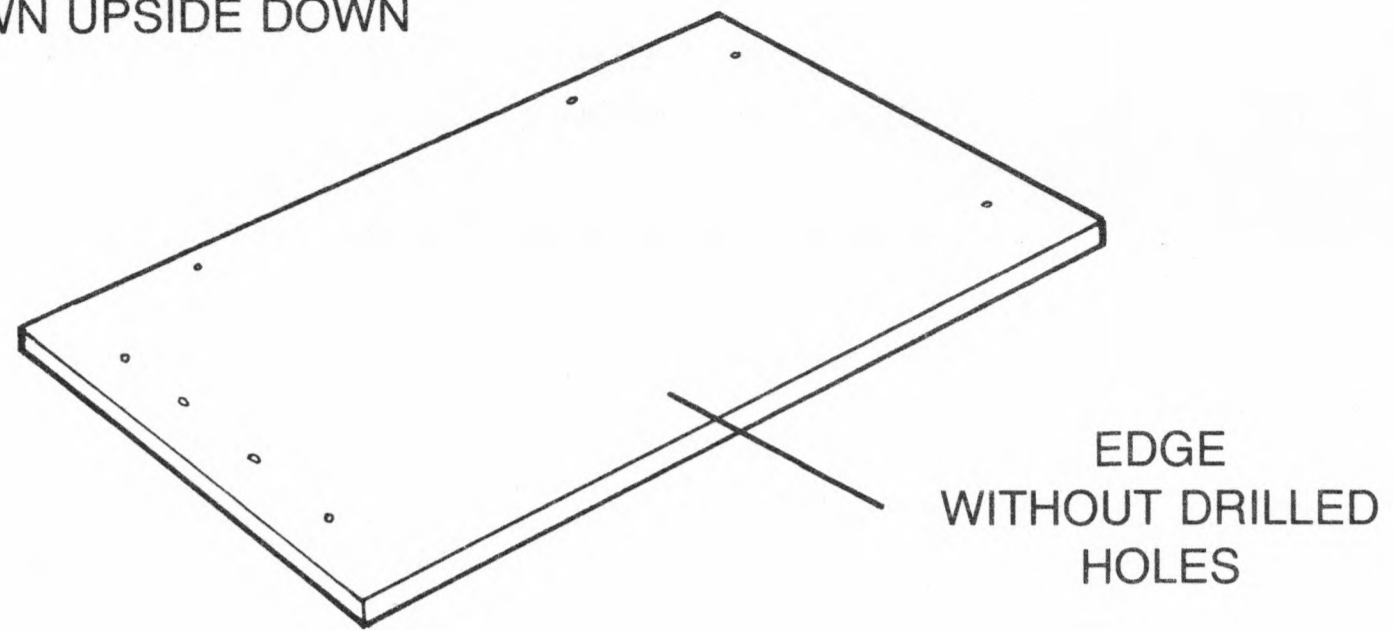
\*\*\*\*\*

If you have a DECmate Pedestal with Extended Worksurface option, continue below.

\*\*\*\*\*



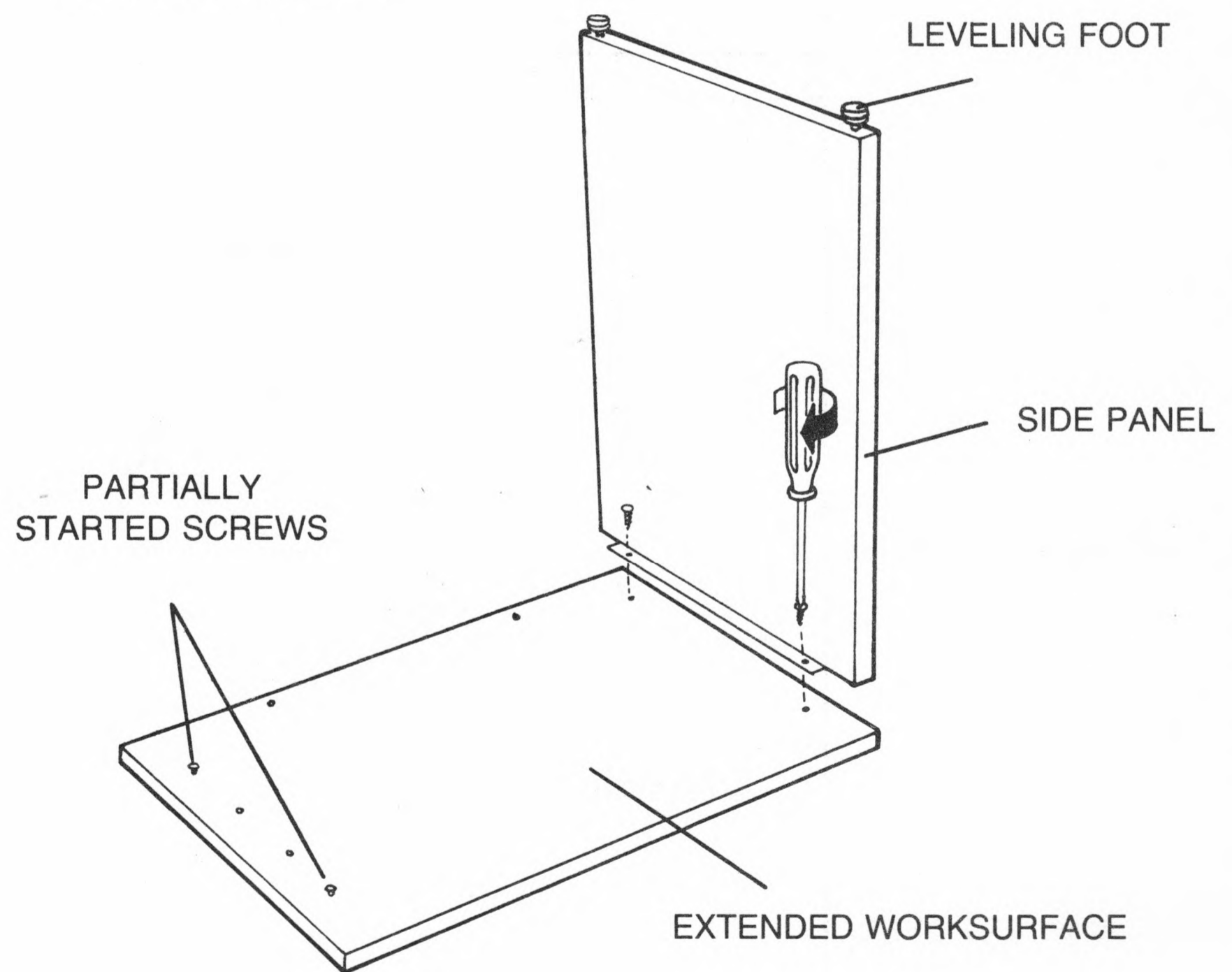
EXTENDED WORKSURFACE  
SHOWN UPSIDE DOWN



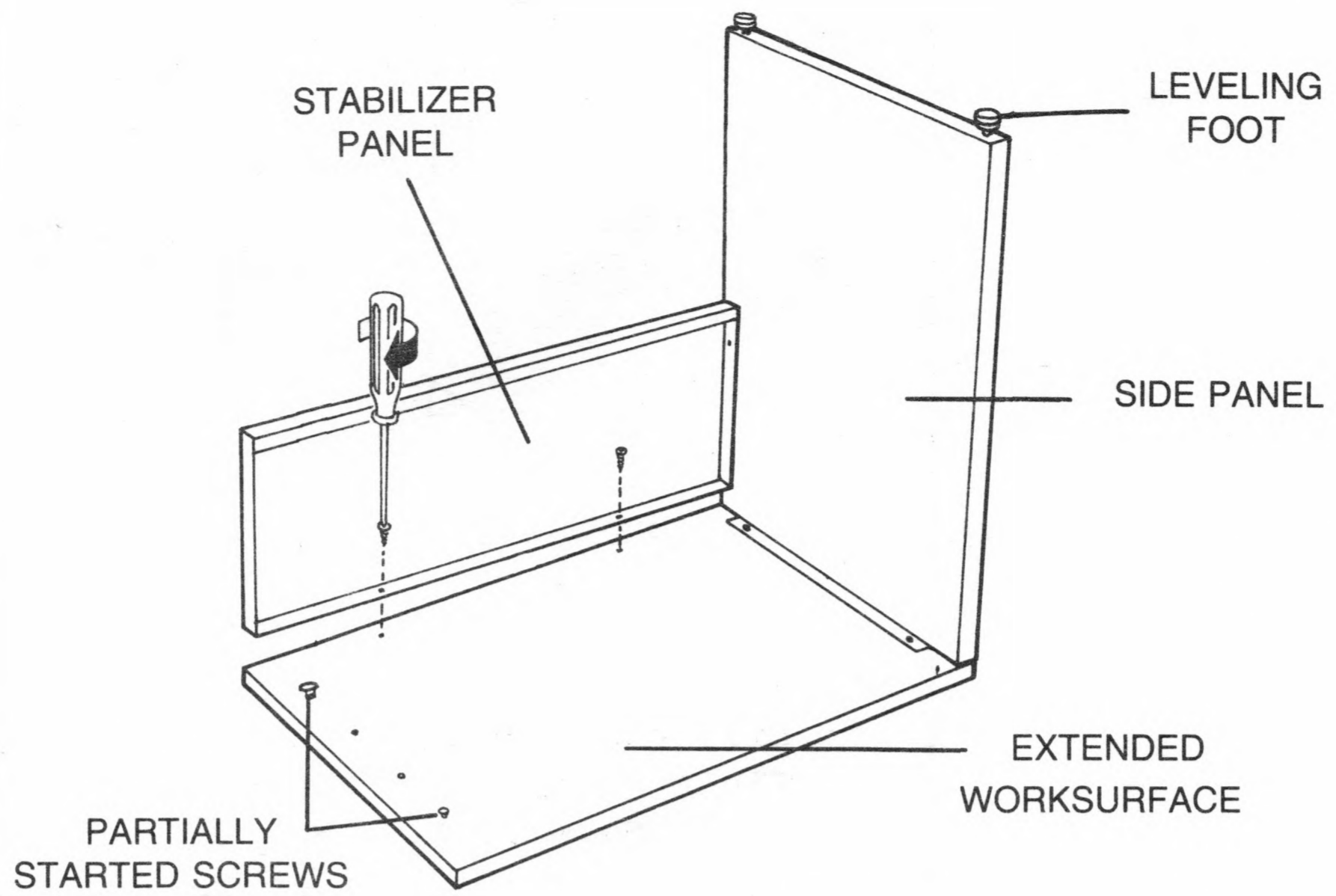
- \* Place worksurface upside down on floor. Put the edge without drilled holes closest to you.

**Note** If you do not have a carpeted floor, place something protective between the worksurface and the floor to prevent scratching.

- \* Open the bag containing the screws. Have your screwdriver handy.
- \* Start two screws into the worksurface as shown. Do not tighten.

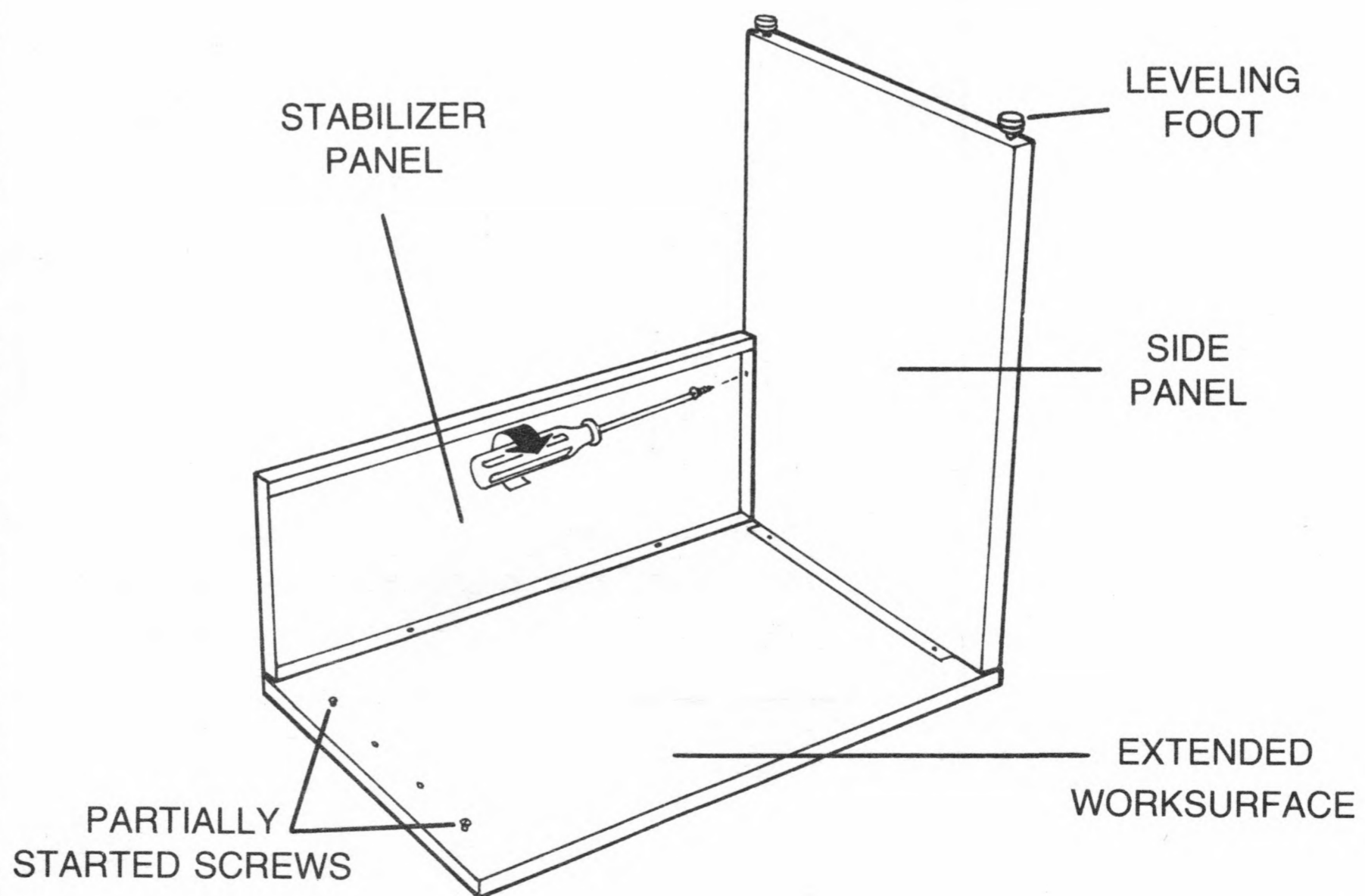


- \* Line up holes in side panel with holes on the right edge of worksurface.
- \* Secure side panel to worksurface.

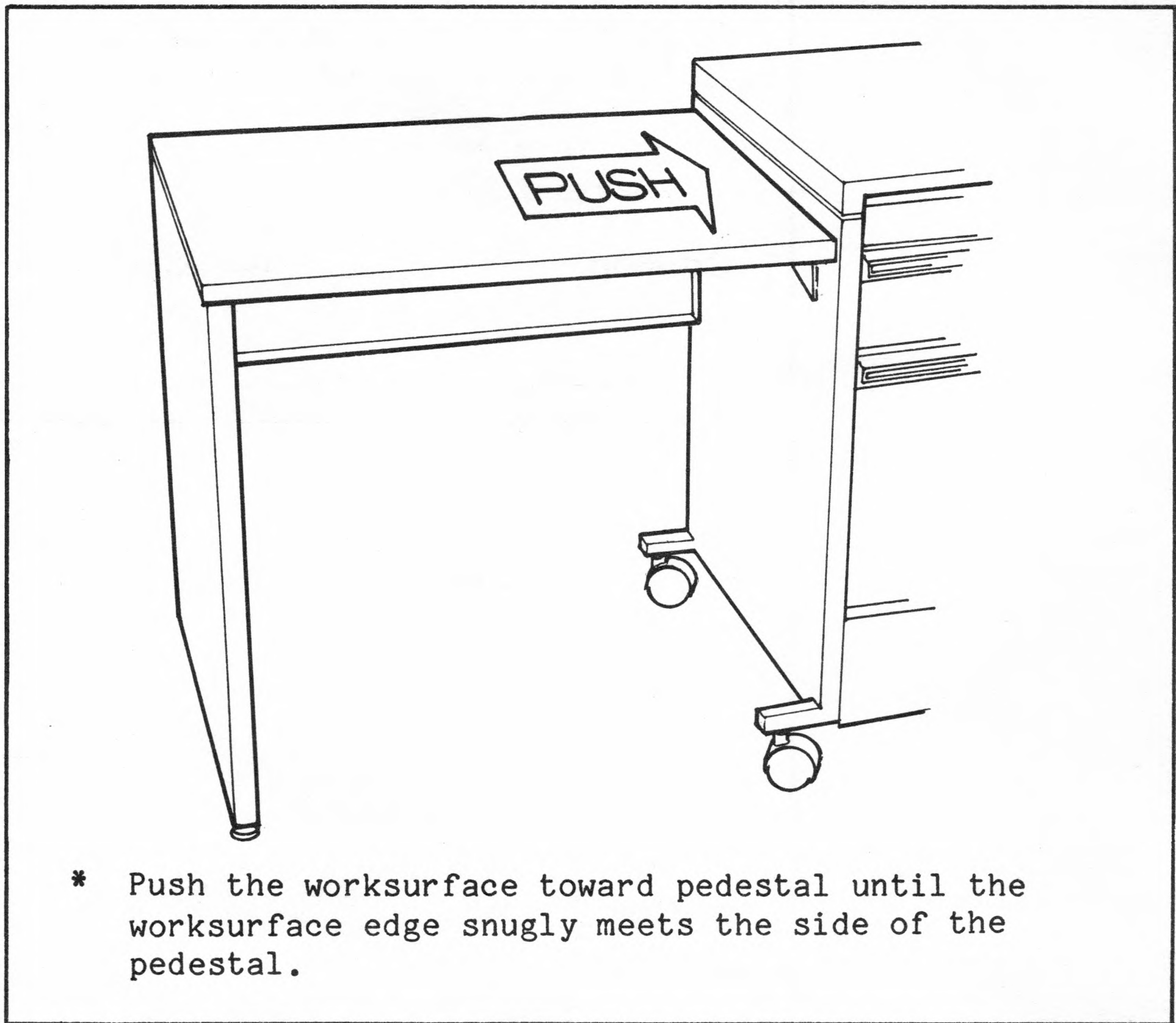
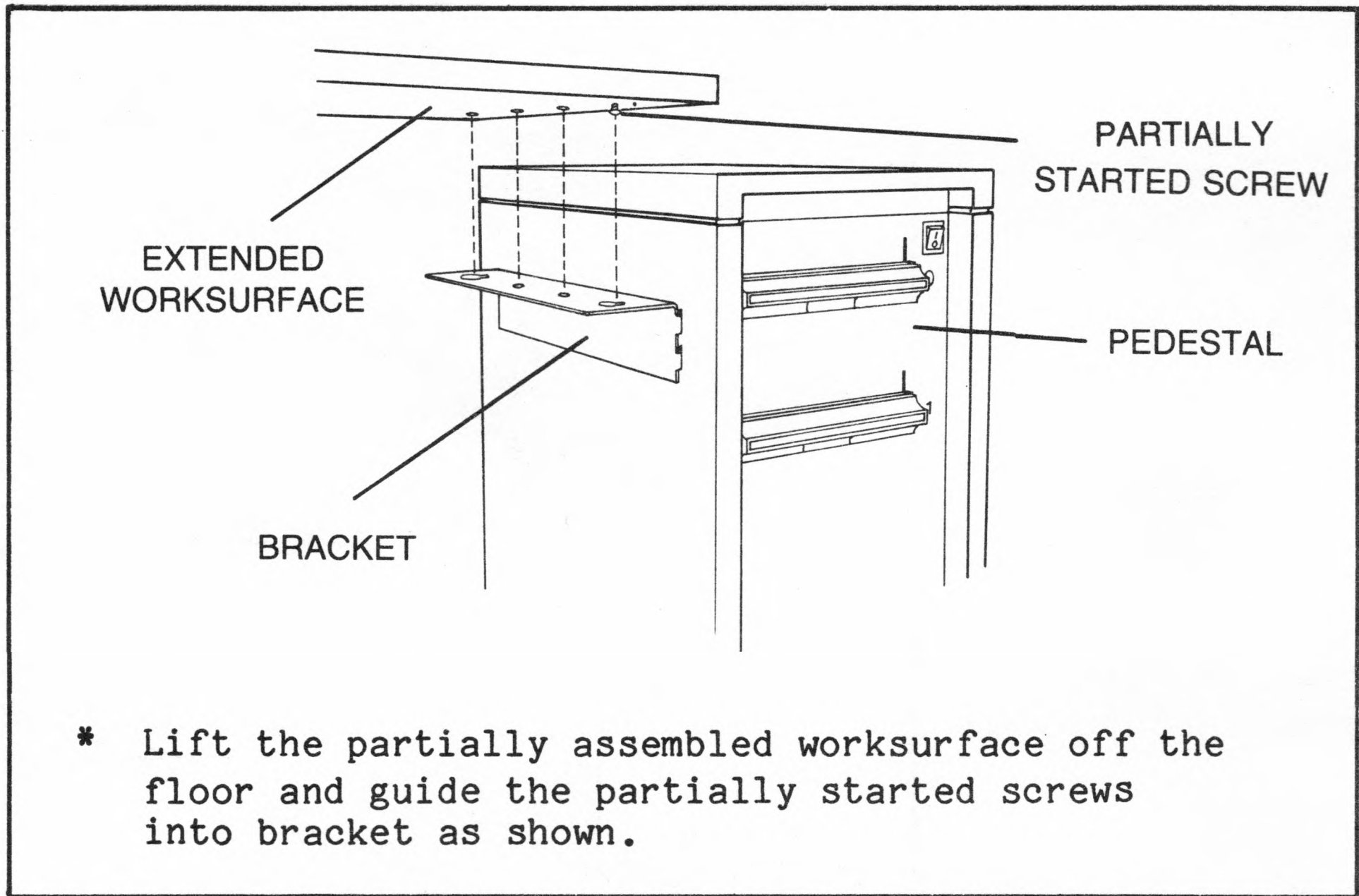


- \* Line up holes in stabilizer panel with holes in the worksurface edge furthest from you.
- \* Put in screws and secure stabilizer panel to worksurface.

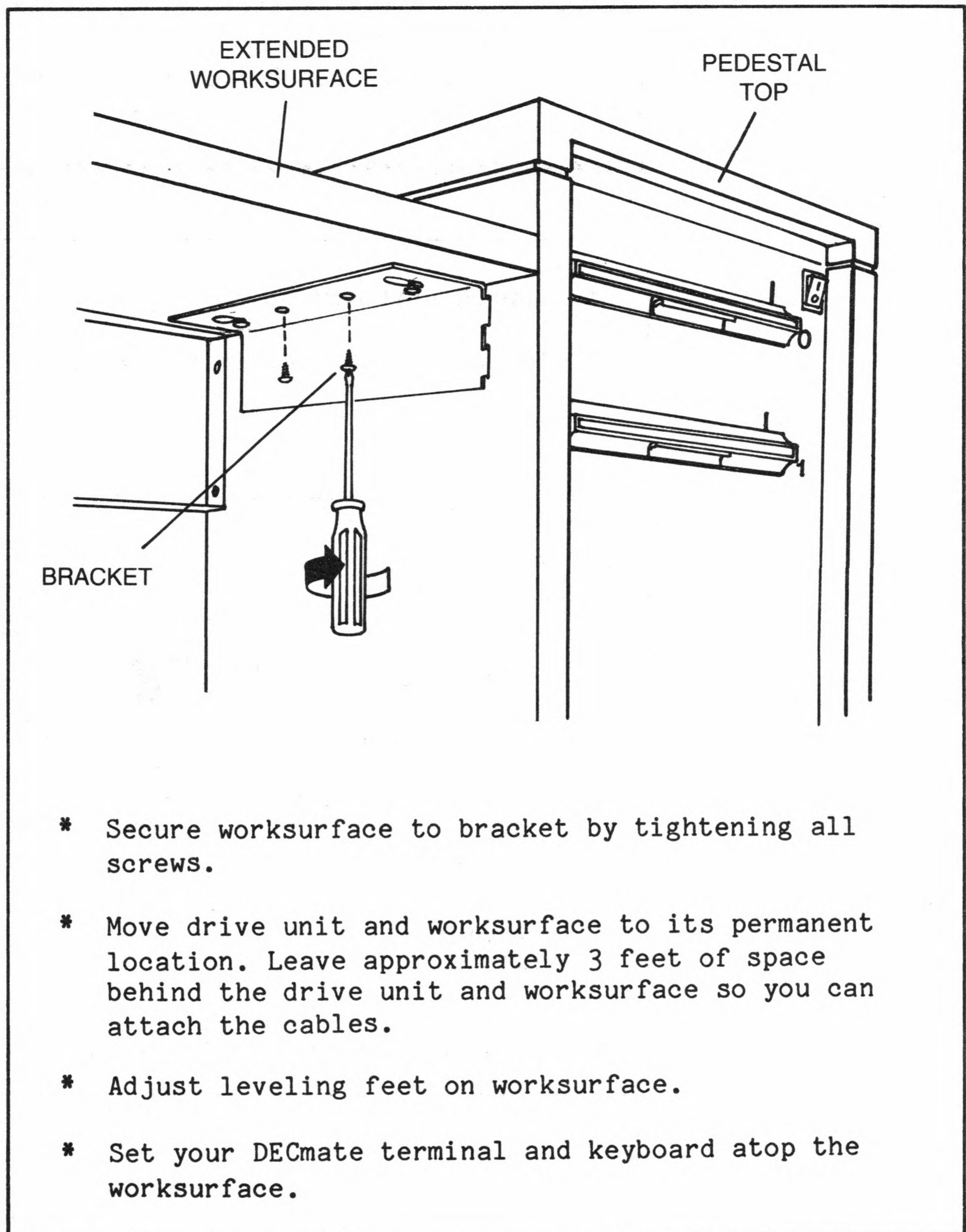
**Caution** The stabilizer panel provides critical support to the worksurface. Always use it.



- \* Put in screws and secure stabilizer panel to side panel as shown.







\*\*\*\*\*

Skip to page 1-18 for cabling instructions.

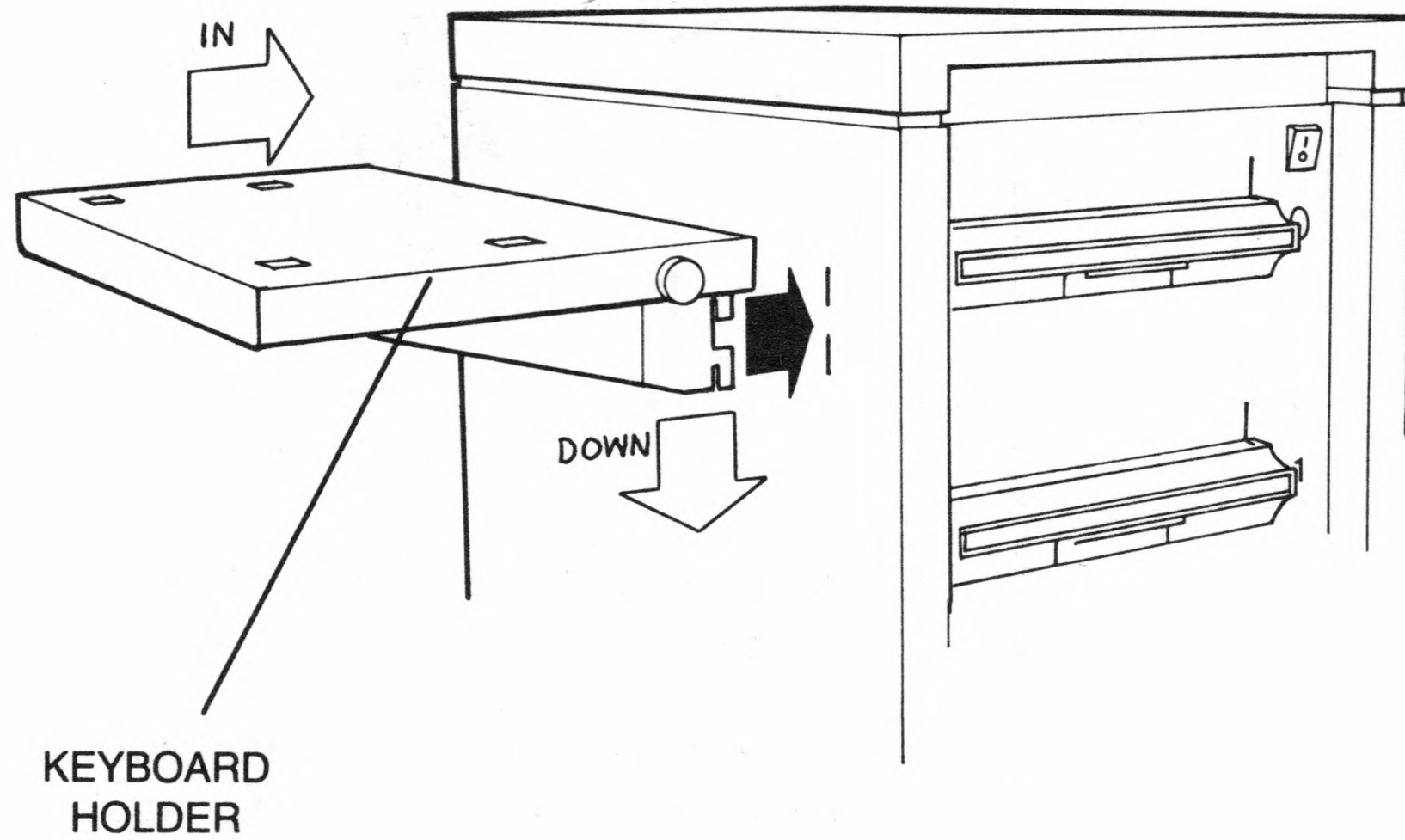
\*\*\*\*\*

\*\*\*\*\*

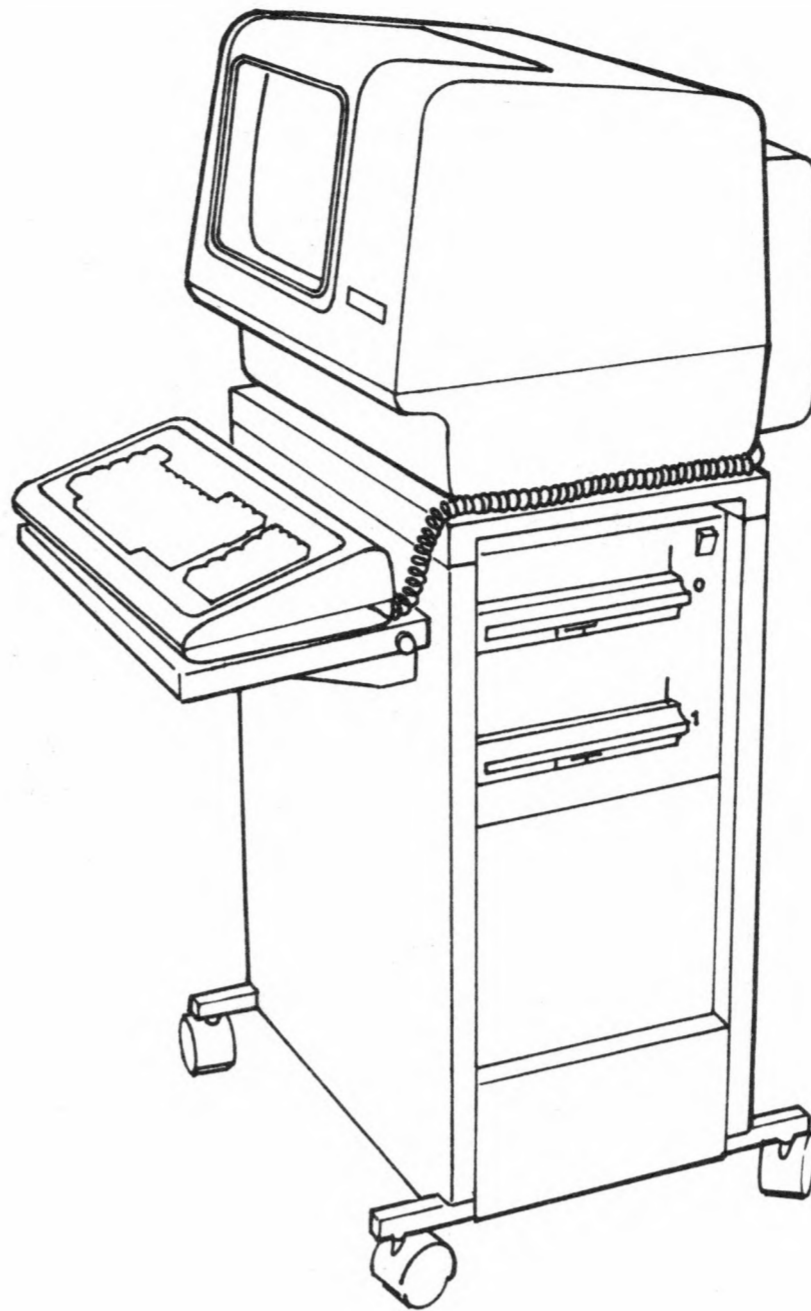
If your DECmate Pedestal System has a keyboard holder,  
continue below.

\*\*\*\*\*

- \* Unpack keyboard holder.
- \* Inspect holder for shipping damage.



- \* Attach holder to diskette drive unit.



- \* Place keyboard on keyboard holder as shown, with the rubber feet in the holes. Place the terminal on the drive unit.

\*\*\*\*\*

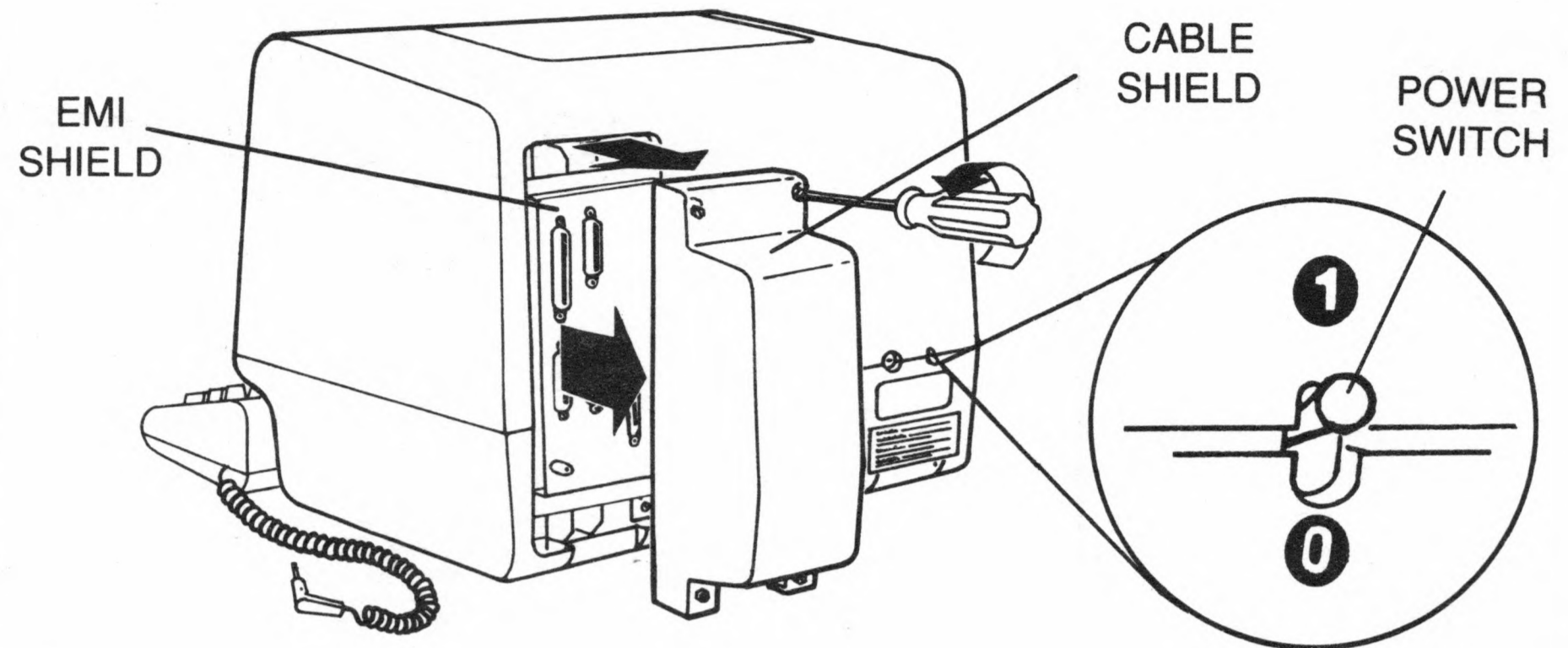
Go to the next page for cabling instructions.

\*\*\*\*\*

## How to Attach Cables

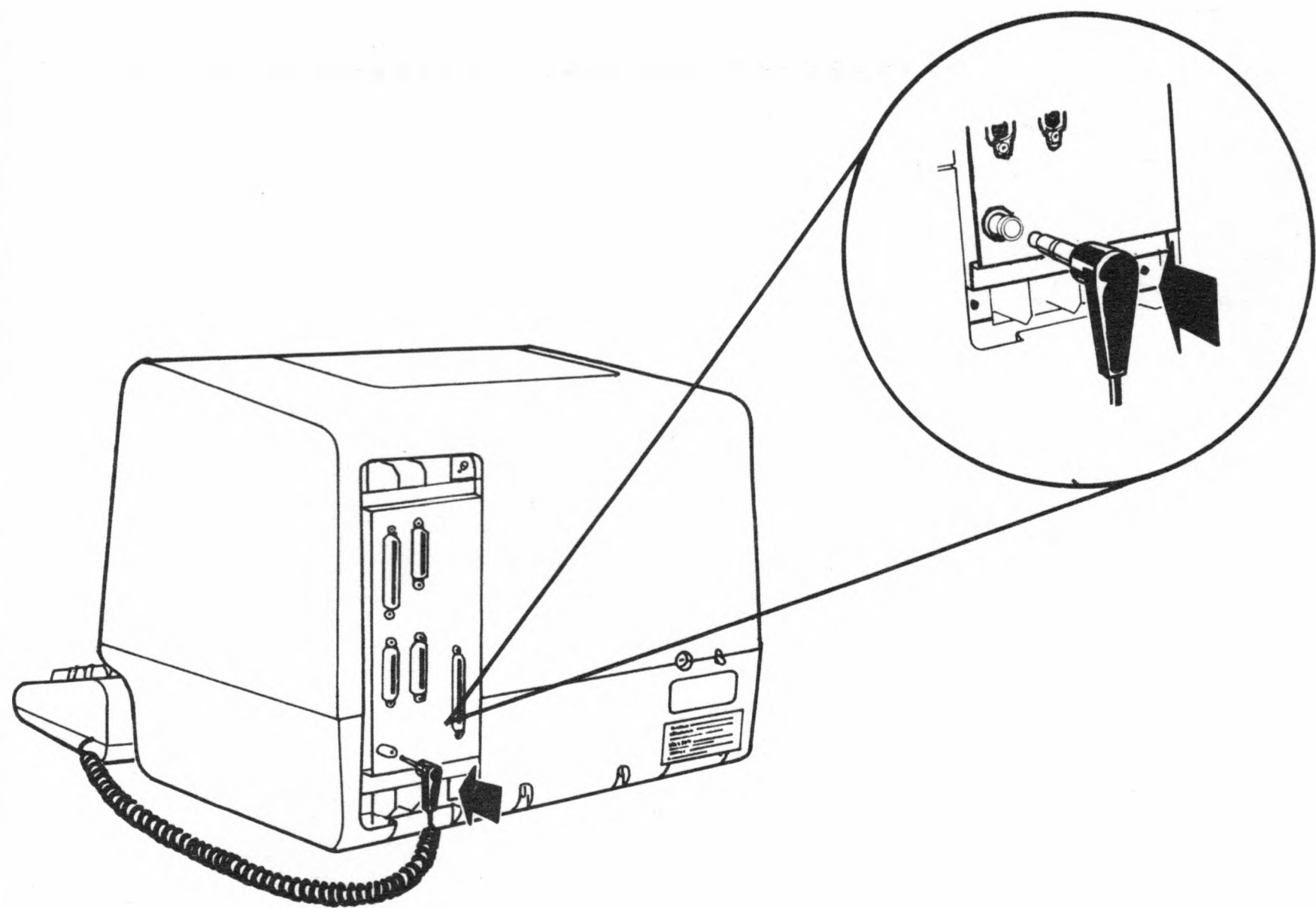
This section explains how to attach the terminal and power cable for your DECmate Pedestal System.

- \* Press system power switch to 0 (off).

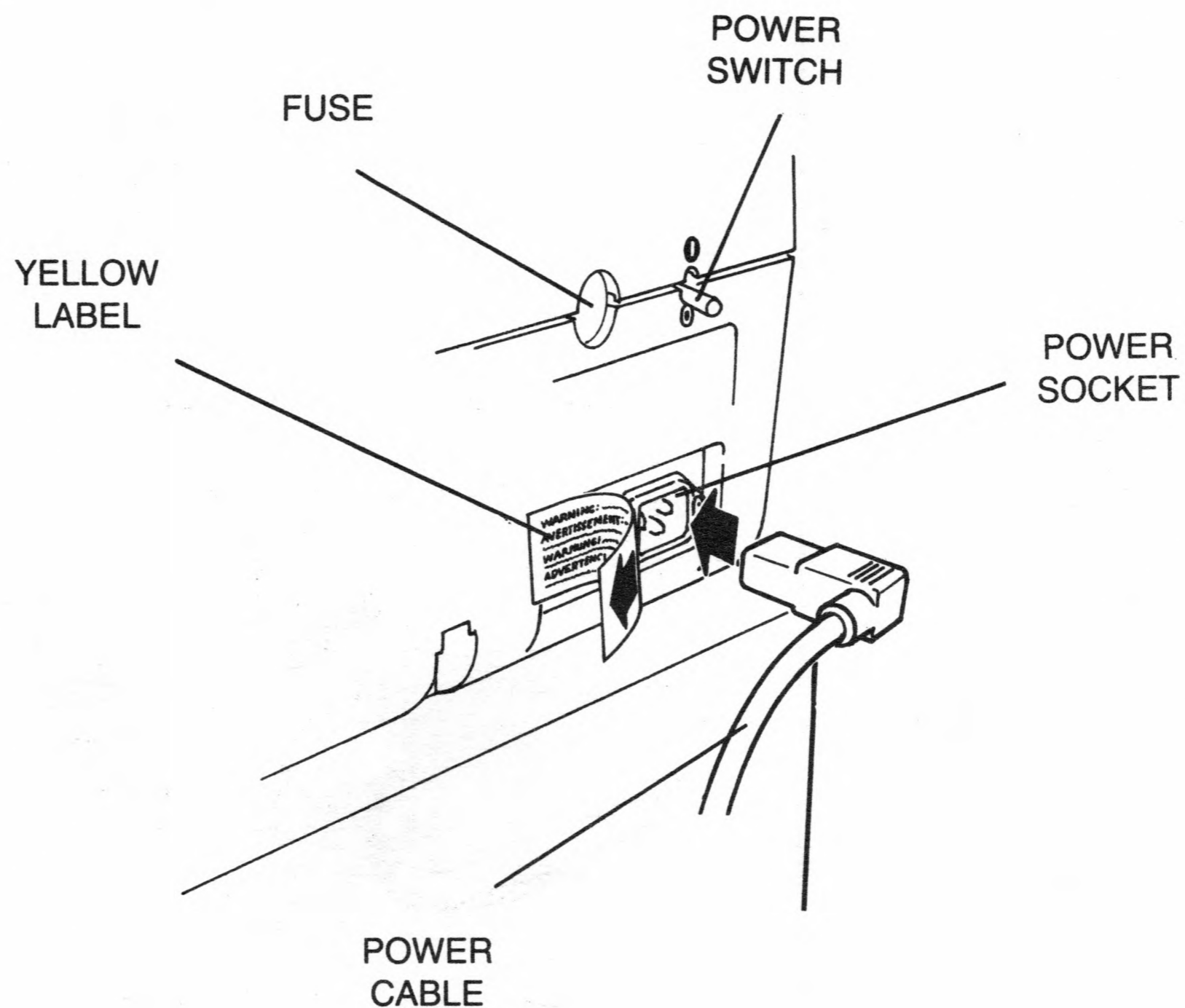


- \* Loosen screws and remove cable shield from back of terminal. Be careful not to strip the safety screw heads on the cable shield.

**Note** Inside the cable shield is a brass-colored EMI (electro-magnetic interference) shield. This EMI shield may remain inside the cable shield, or it may fall out. Before attaching cables, position the EMI shield over the ports.



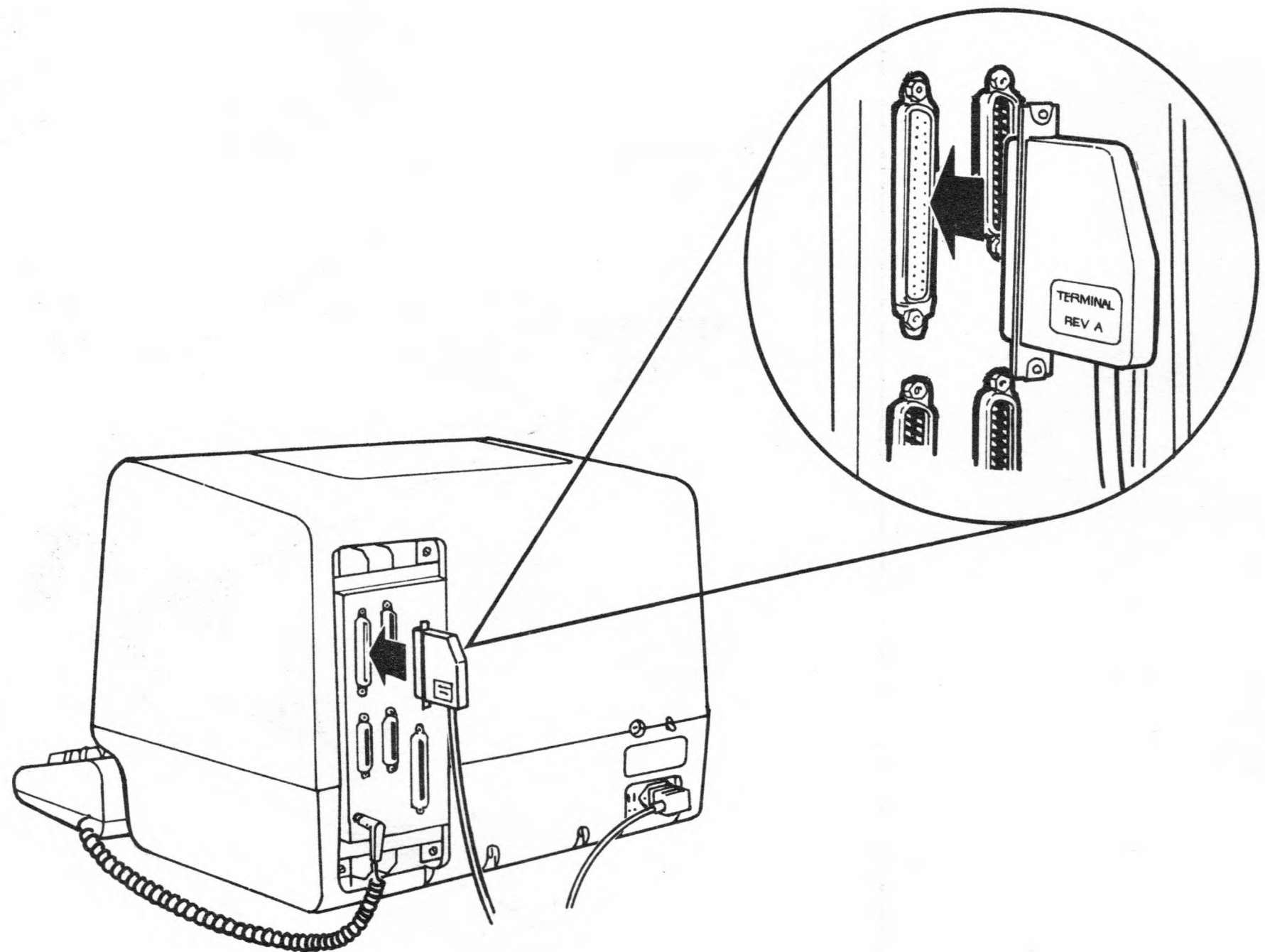
- \* Plug keyboard cable into terminal.



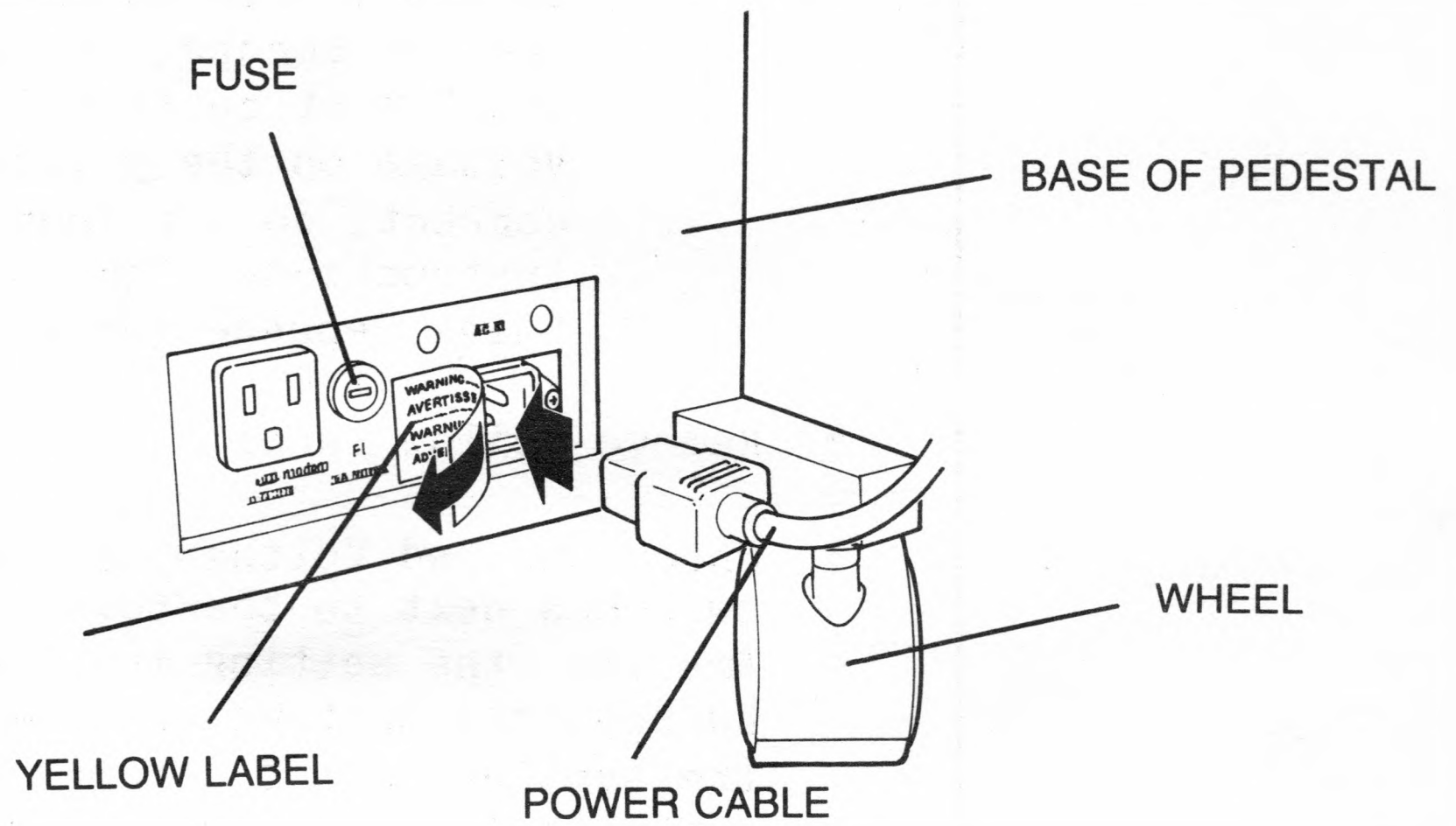
- \* Read the yellow label covering the terminal socket.

**Caution** In North America, the voltage indicated on the yellow label must be from 110 to 120. In Europe, the voltage on the yellow label must be from 220 to 240. If the voltage on the yellow label is not correct, do not continue with these instructions. Instead call your DECmate Sales Representative.

- \* Remove yellow label.
- \* Check the red Voltage Select/Frequency Select switches next to the power socket. In North America, the setting must be 120 v/60 hz. In Europe, the setting must be 220-240 v/50 hz. If the setting is not correct, carefully move the switch(es) up or down to the proper setting.
- \* Insert black power cable end into terminal power socket. (Use power cable that is already attached to the pedestal.)



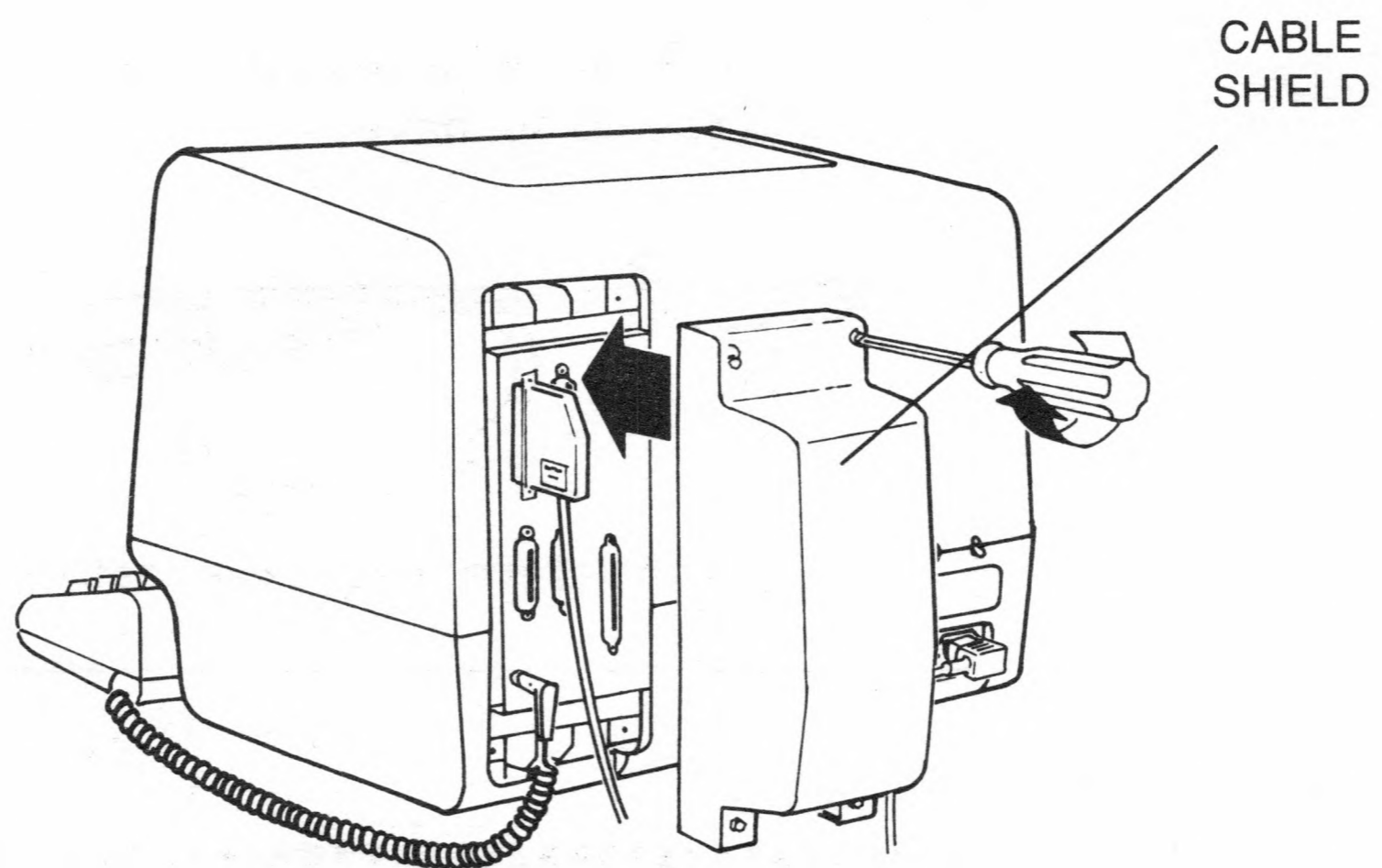
- \* Connect gray single cable (dual-drive system), or gray double cable (quad-drive system) from the pedestal to the port labeled DISK on the back of terminal. This cable provides communication from the terminal to the disk drives.
- \* Tighten screws on connectors.



- \* Locate black power cable that was shipped in the terminal carton.
- \* Read the yellow label covering the pedestal power socket at the base of the pedestal.

**Caution** In North America, the voltage indicated on the yellow label must be from 110 to 120. In Europe, the voltage on the yellow label must be from 220 to 240. If the voltage on the yellow label is not correct, do not continue with these instructions. Instead call your DECmate Sales Representative.

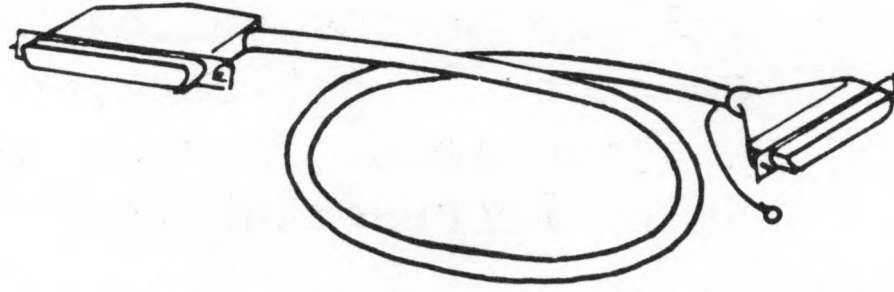
- \* Remove yellow label.
- \* Plug open end of black power cable into the power socket on the pedestal base.
- \* Plug prong end of black power cable into a wall outlet. This cable provides power to the entire pedestal system.



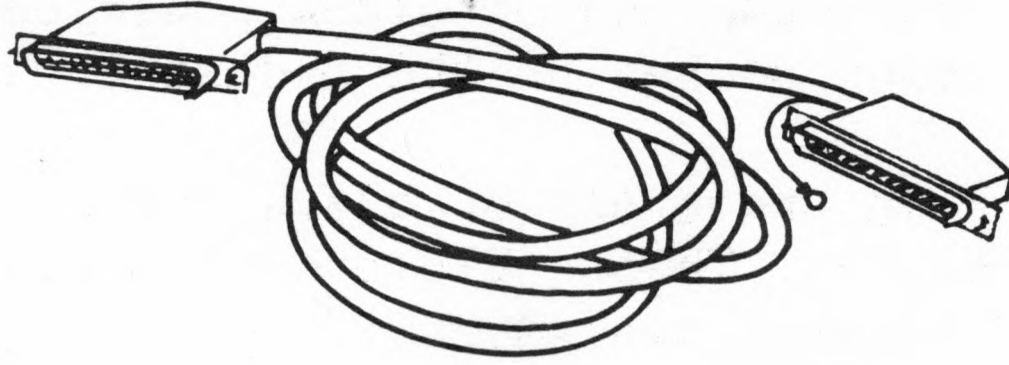
- \* Attach cable shield. (Do not attach the cable shield if you plan to install a printer.)

**Note** You may have some cables left over.  
Keep these for future use.

Below are the cables you should have left over:

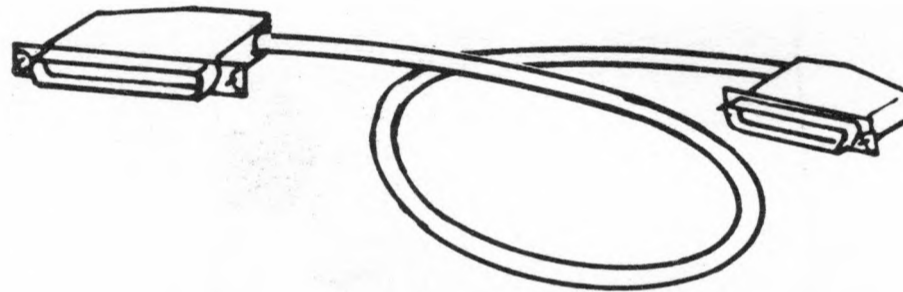


Modem Interface Cable (BC26R-03)



Printer Cable (BC26S-15)

If you have a pedestal system with no options, you will also have:



3 foot Terminal/disk cable (BC26N-2L)

\*\*\*\*\*  
You have completed installing your DECmate Pedestal System.  
Refer to Chapter 3 for printer installation instructions.  
\*\*\*\*\*



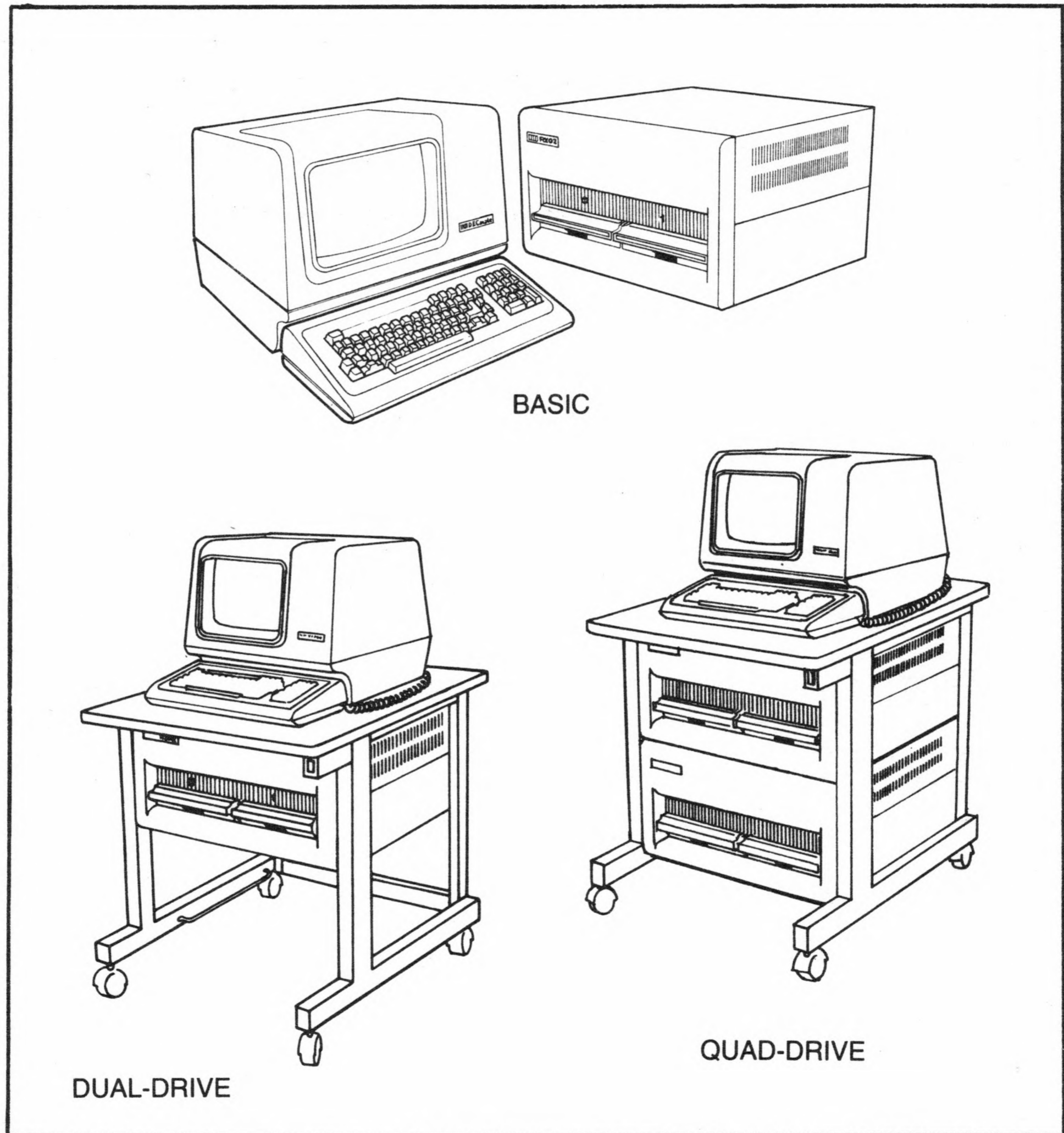
Installing Basic and Minidesk

## Chapter 2 Installing Your Basic DECmate and Minidesk System

\*\*\*\*\*

Start here if you have a carton labeled RX02 diskette drive unit.

\*\*\*\*\*



There are three possible configurations with the DECmate RX02 Diskette Drive unit. Following this page is a checklist for each different configuration. Each checklist contains a description of the configuration, and a list of the equipment in each one. Do not unpack your system until you are told to do so by the instructions.

If problems arise, call the Customer Service Hot Line at (800) 241-6580. If possible, complete installation before reporting problems to your DIGITAL representative.

Before cabling, be certain that your office has the proper environmental and power requirements for your particular DECmate system. See Chapters 9 and 10.

Do not attempt to connect any of the cables until the instructions tell you to do so.

Unpack and assemble DECmate near its permanent location.

\*\*\*\*\*

Proceed through the following instructions until you reach another instruction like this one.

Turn to the next page.

\*\*\*\*\*

\*\*\*\*\*

Consult the following three checklists and determine which DECmate configuration you have.

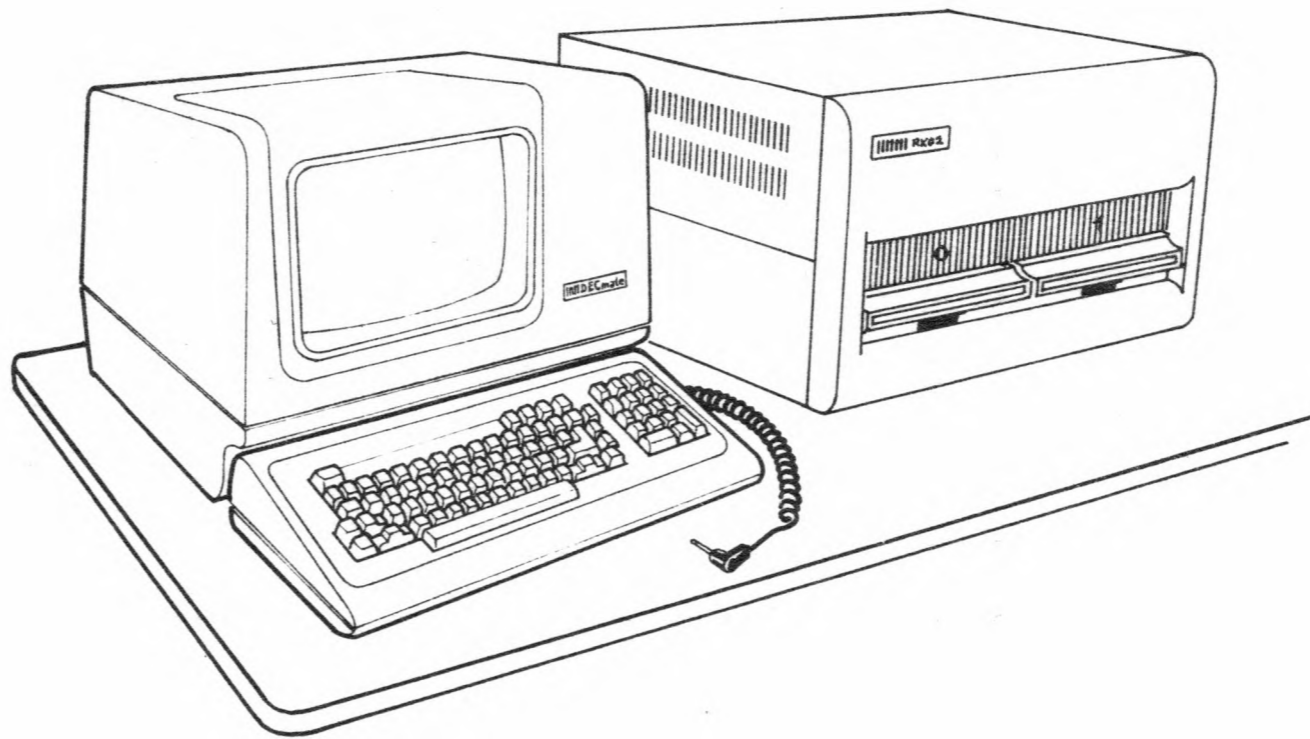
Do not unpack the cartons yet - you will be able to tell the configuration by the labels on the boxes.

\*\*\*\*\*

## Checklist for Basic DECmate System

The Basic DECmate system includes:

- DECmate terminal (video data processor) and keyboard
- One RX02 Diskette Drive unit
- Connecting cables and accessories



You will need a straight-bladed screwdriver to install your system.

\*\*\*\*\*

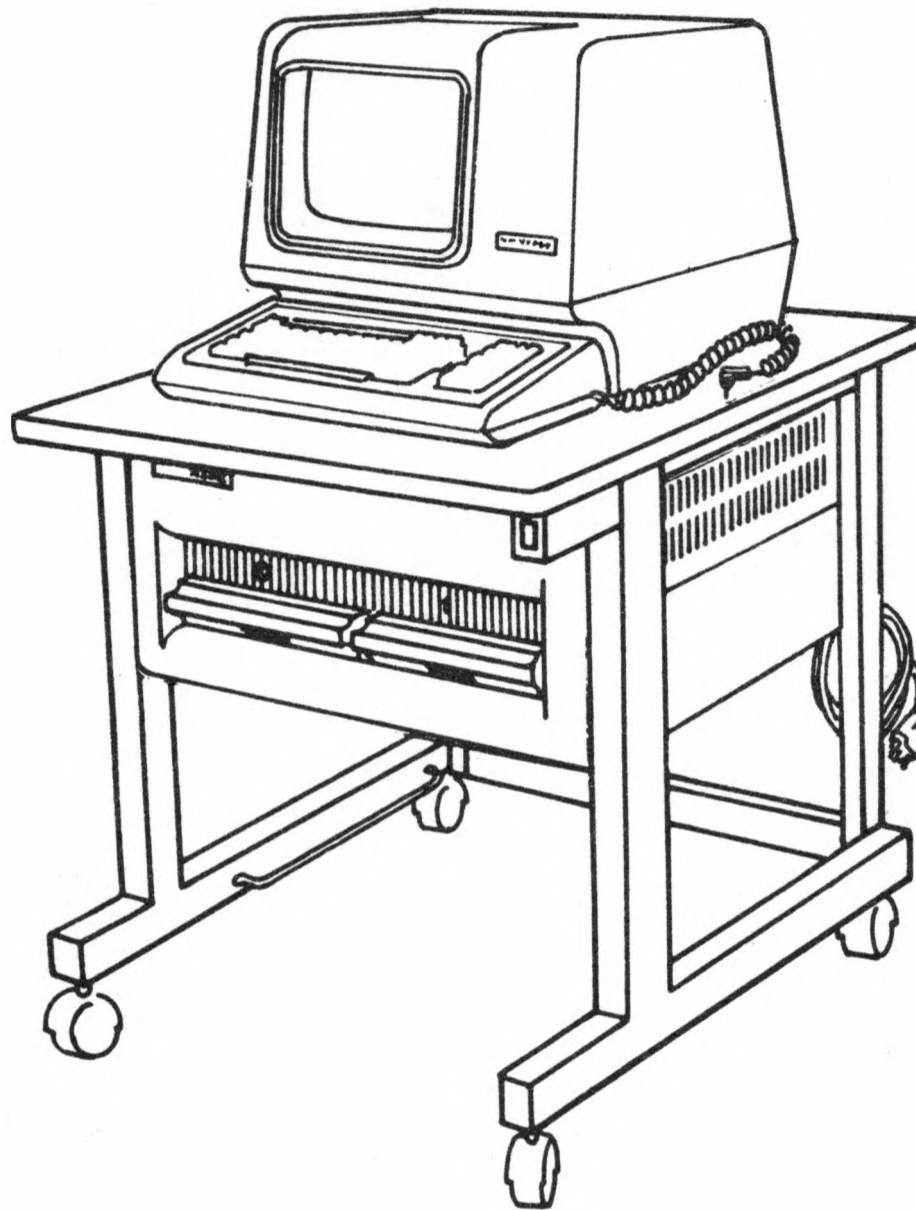
Go to page 2-6 to begin unpacking.

\*\*\*\*\*

## Checklist for Dual-drive DECmate System

The DECmate Dual-Drive with Minidesk System includes:

- DECmate terminal (video data processor) and keyboard
- One RX02 Diskette Drive unit
- Connecting cables and accessories
- a minidesk, which holds the diskette drive unit and terminal



You will need a straight-bladed screwdriver and a pair of wire-cutters to install your system.

\*\*\*\*\*

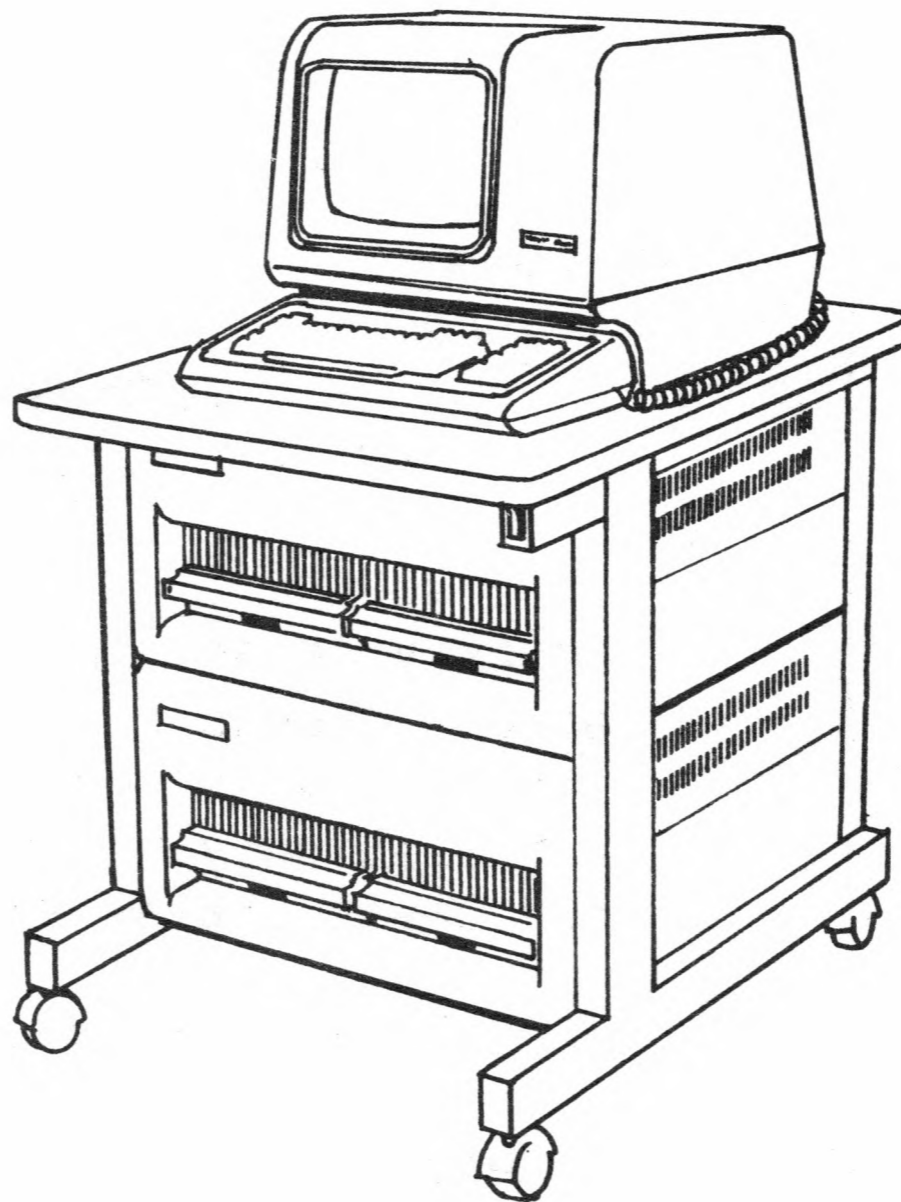
Go to page 2-6 to begin unpacking.

\*\*\*\*\*

**Checklist for  
Quad-drive  
DECmate System**

The DECmate Quad-drive System includes:

- DECmate terminal (video data processor) and keyboard
- Two RX02 Diskette Drive units
- Connecting cables and accessories
- a minidesk, which holds the diskette drive unit and terminal



You will need a straight-bladed screwdriver and a pair of wire-cutters to install your system.

\*\*\*\*\*

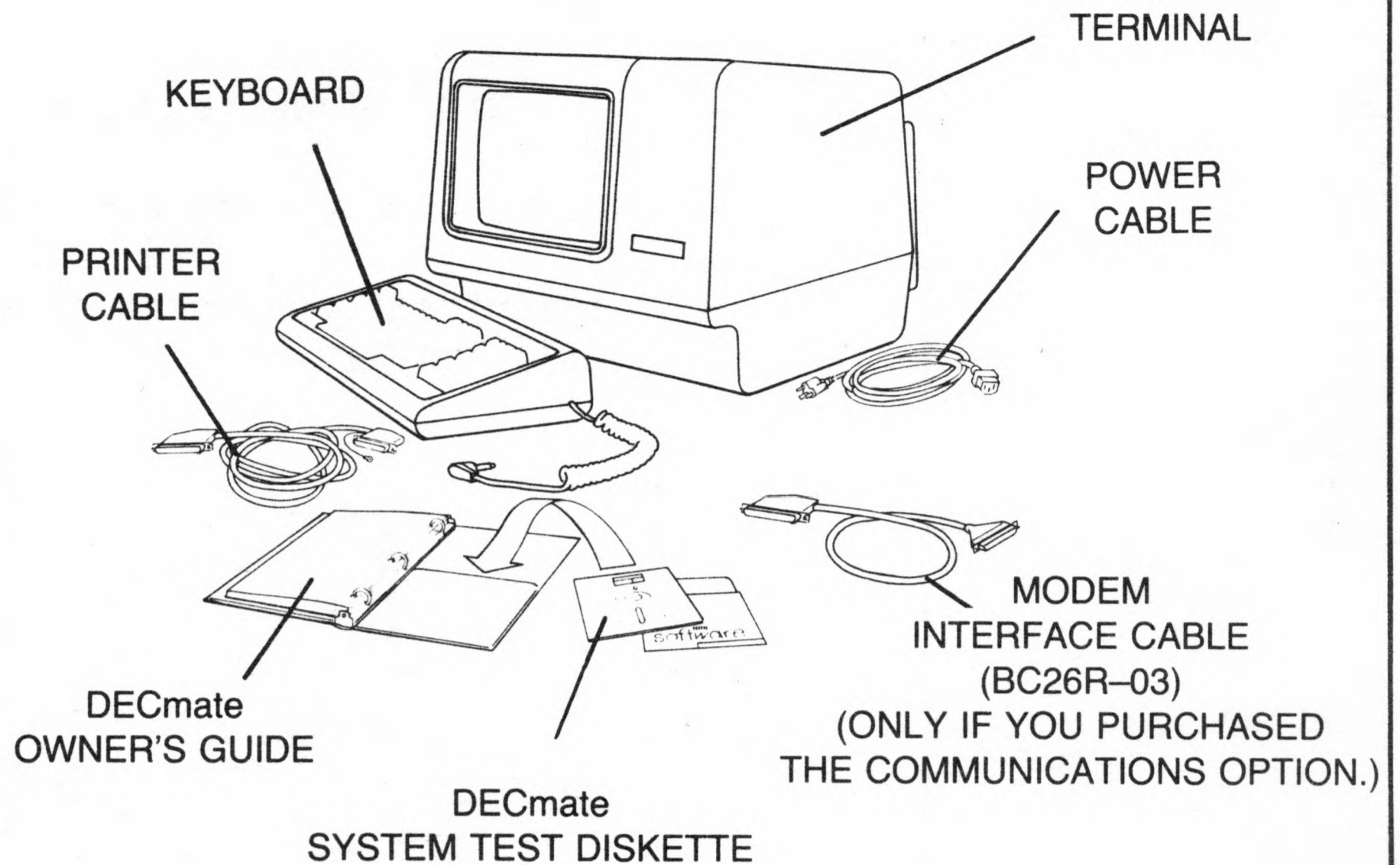
Go to page 2-6 to begin unpacking.

\*\*\*\*\*

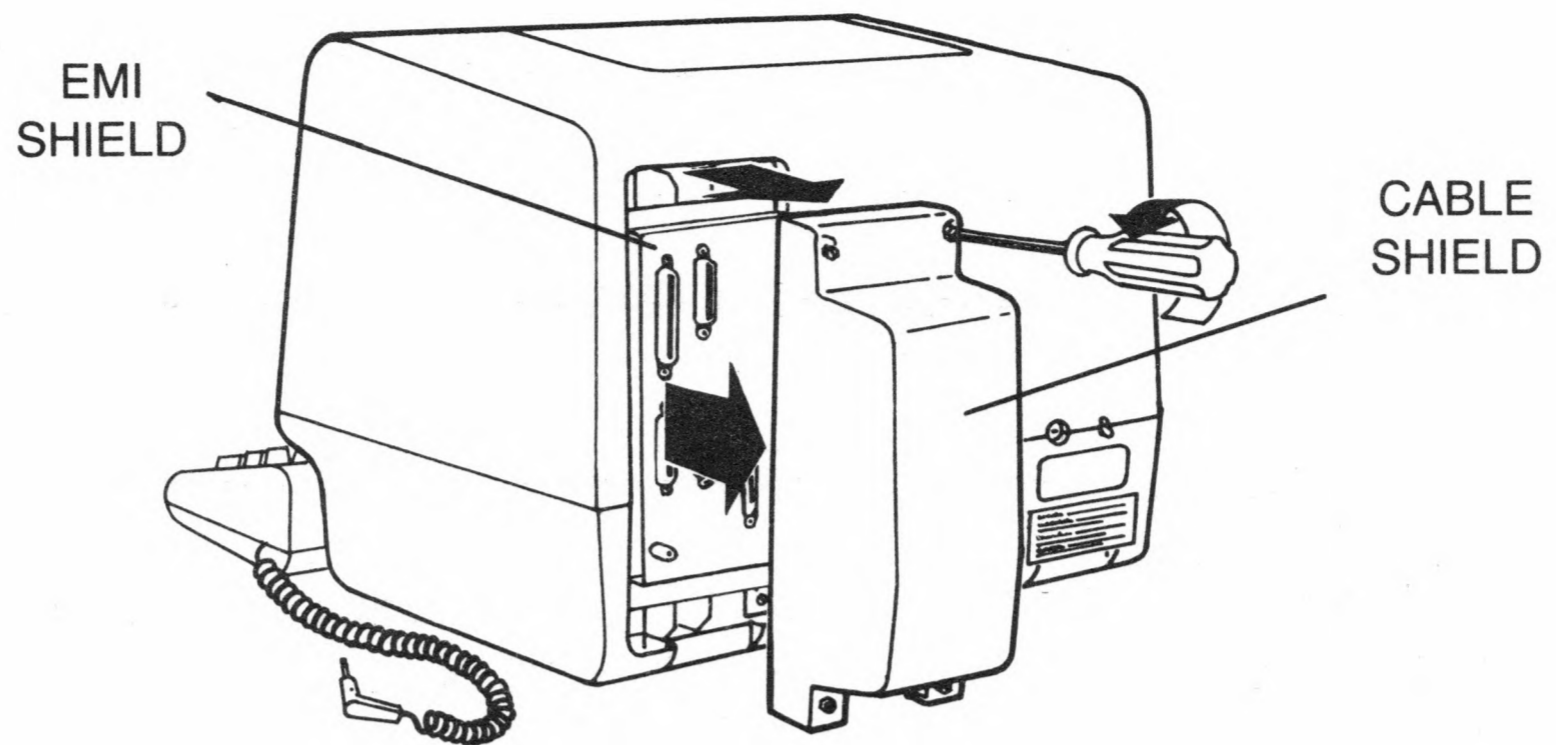
## How to Unpack and Set Up Your DECmate Terminal (Video Data Processor)

### Caution

The terminal weighs 35 lb (16 kilos). Two people may be needed to lift it.

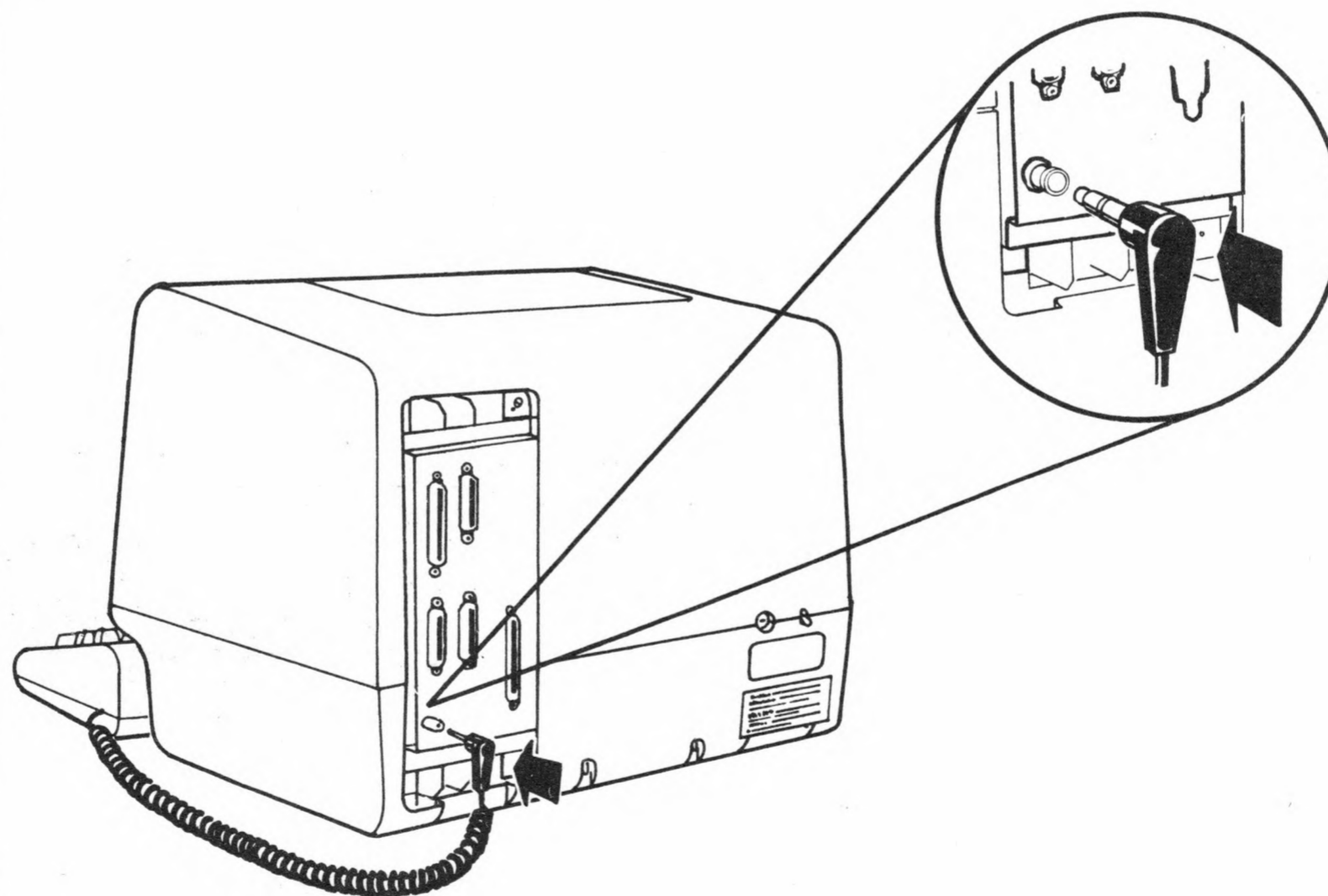


- \* Unpack your accessories box. This box contains cables, accessories, and disks you will need to install your DECmate system. At the end of installation you may have some cables left over. Keep these cables for future use.
- \* Unpack contents of video data processor carton.
- \* Inspect terminal for shipping damage.



\* Loosen screws and remove cable shield from back of terminal. Be careful not to strip the safety screw heads on the cable shield.

**Note** Inside the cable shield is a brass-colored EMI (electro-magnetic interference) shield. This EMI shield may remain inside the cable shield, or may fall out. Before attaching cables, position the EMI shield over the ports.



\* Note where keyboard cable plugs into terminal.

\* Set terminal and keyboard aside, while you unpack and install the drive units.



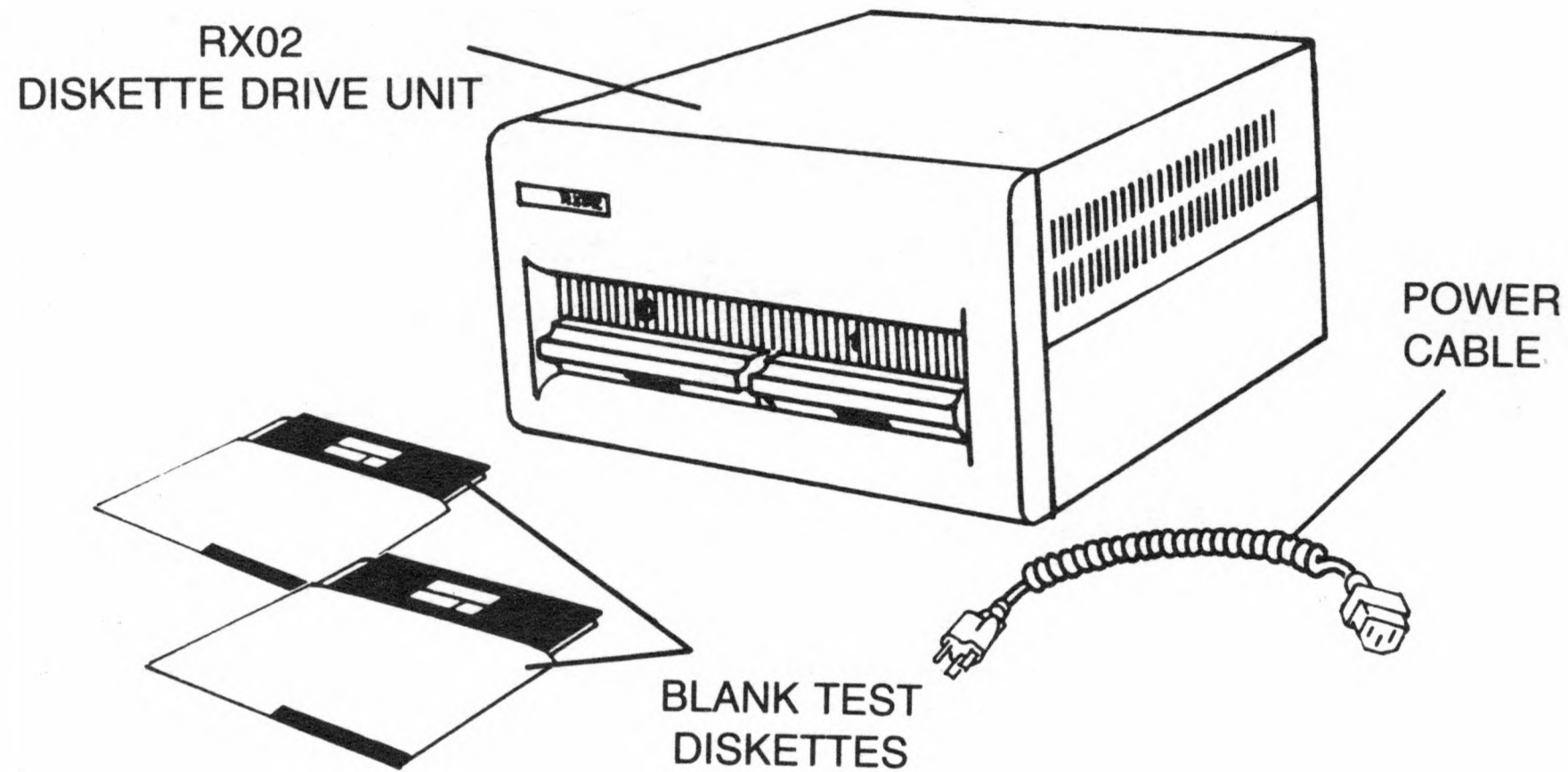
\*\*\*\*\*

If your configuration includes a Minidesk, skip to page 2-13.  
Otherwise, continue below.

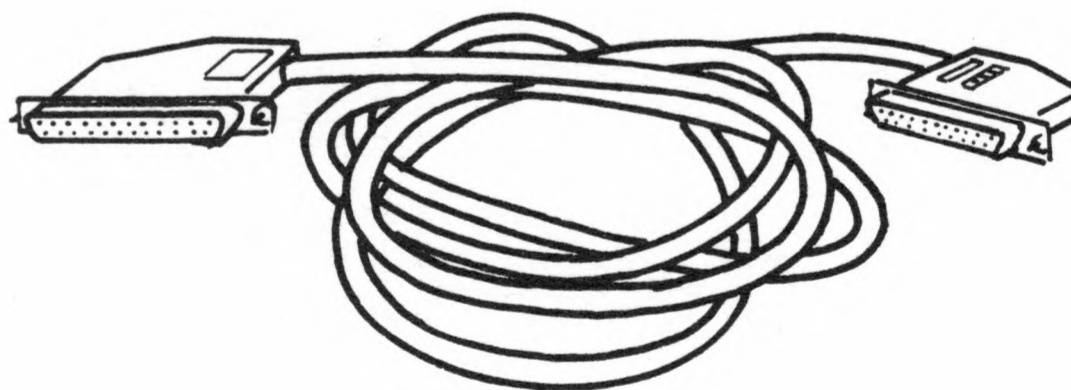
\*\*\*\*\*

## How to Set Up Your Diskette Drive Unit in the Basic DECmate System

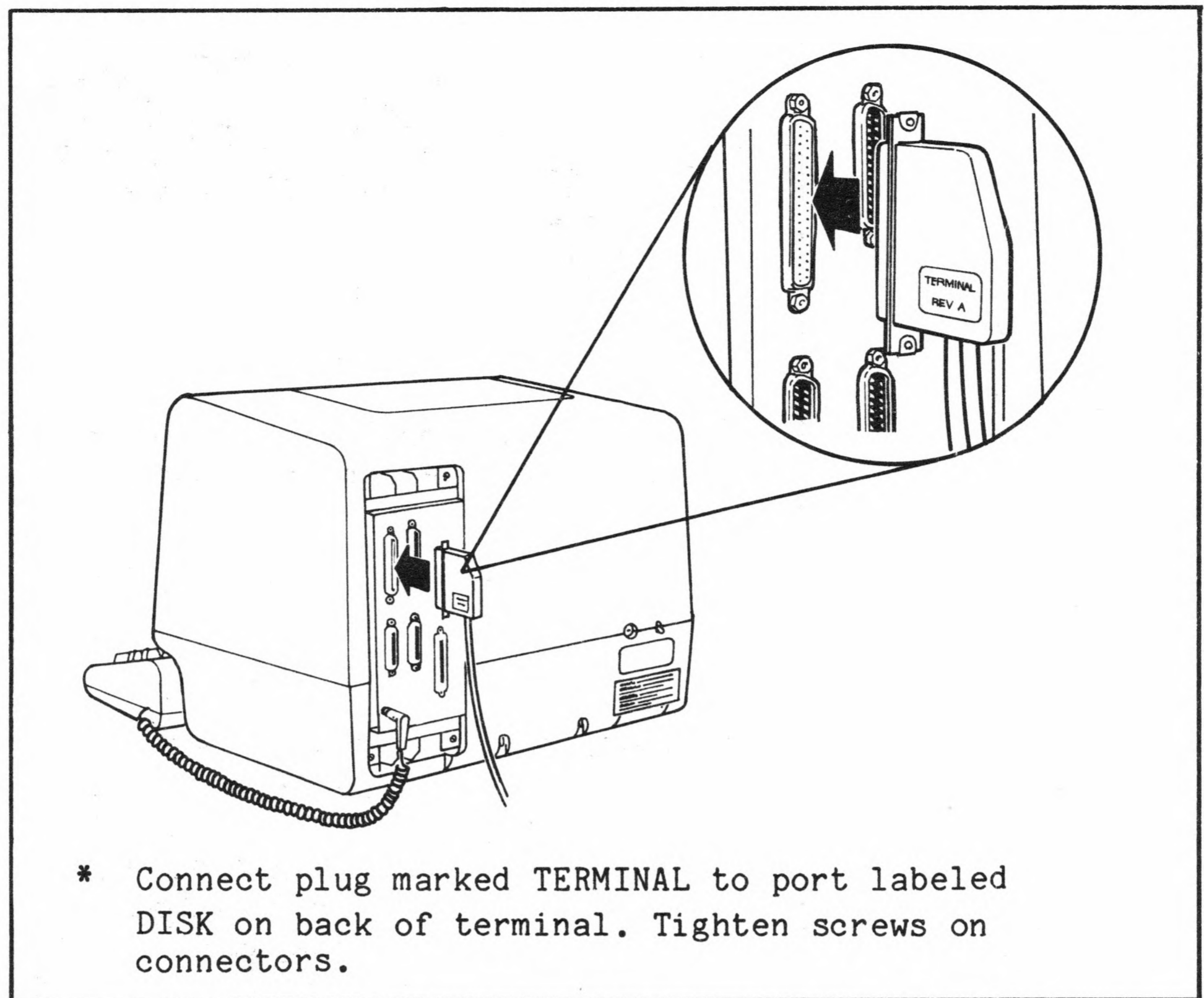
**Caution** The diskette drive unit weighs 65 lbs.  
(30 kilos). Two people are needed to  
lift it.



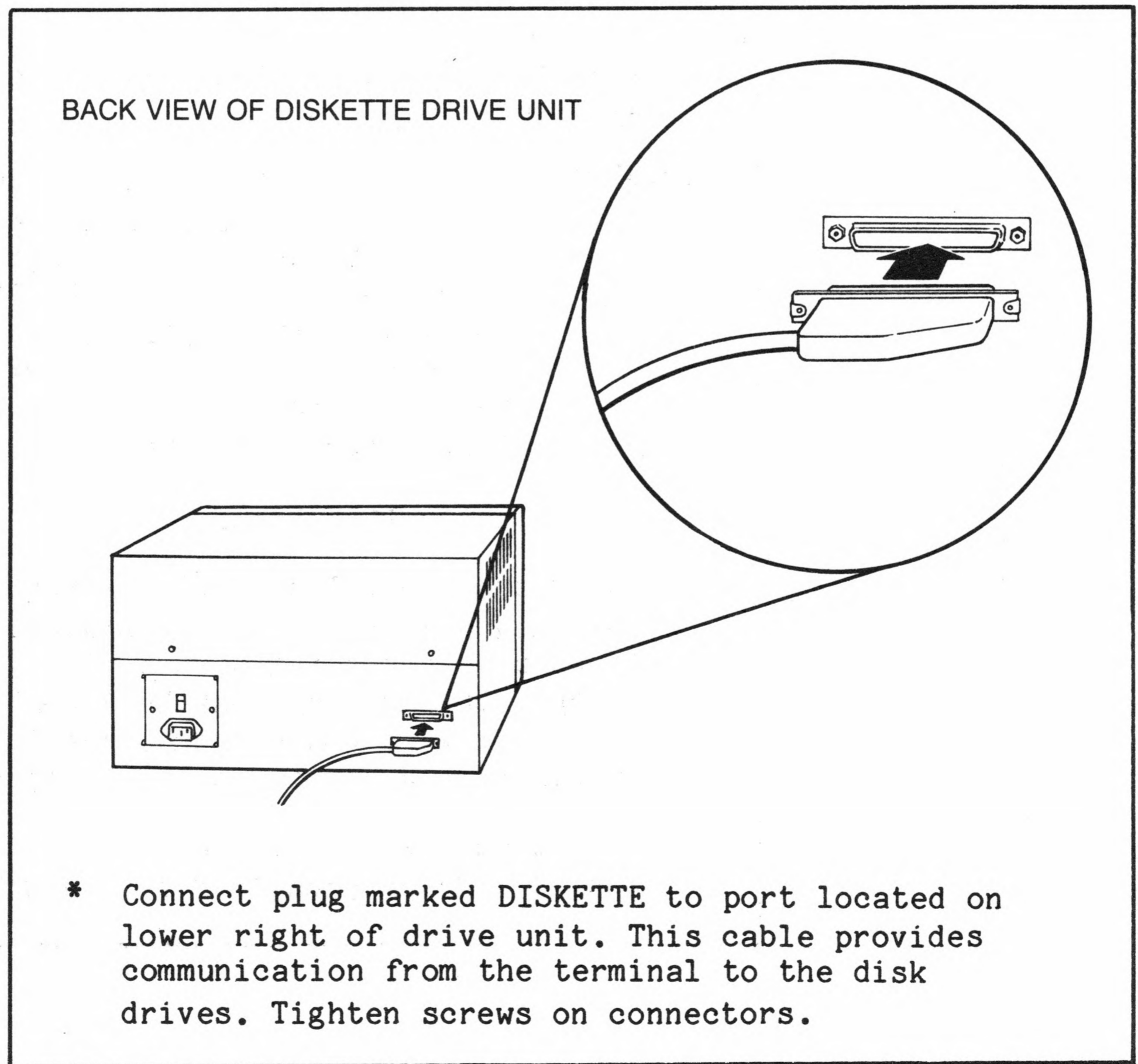
- \* Unpack the diskette drive unit.
- \* Inspect diskette drive unit for shipping damage.



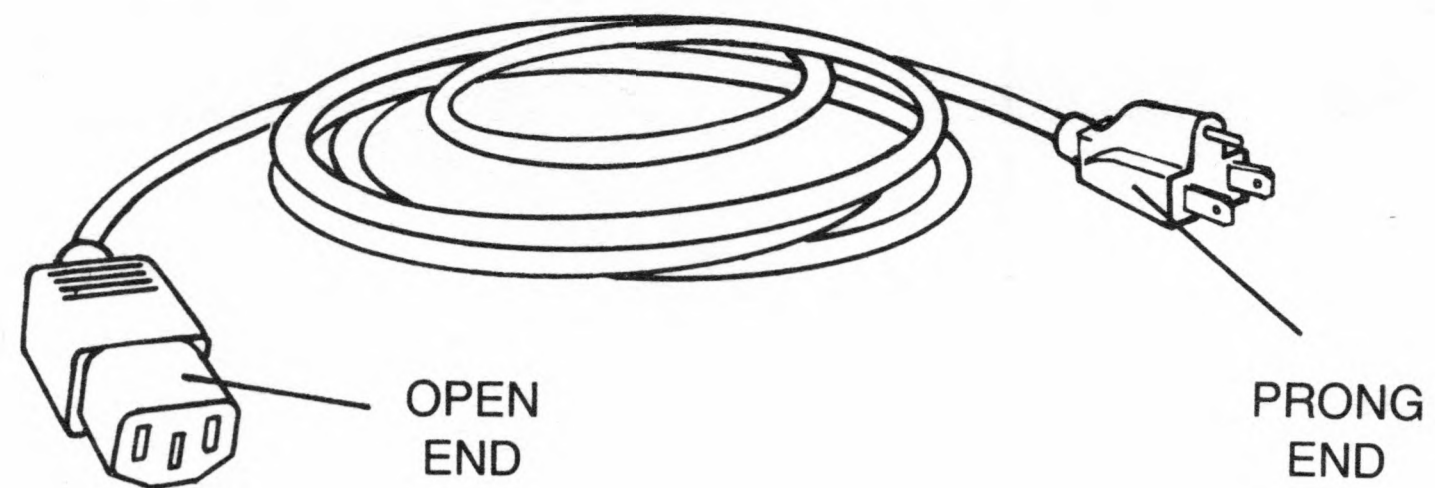
- \* Locate gray terminal/disk cable.



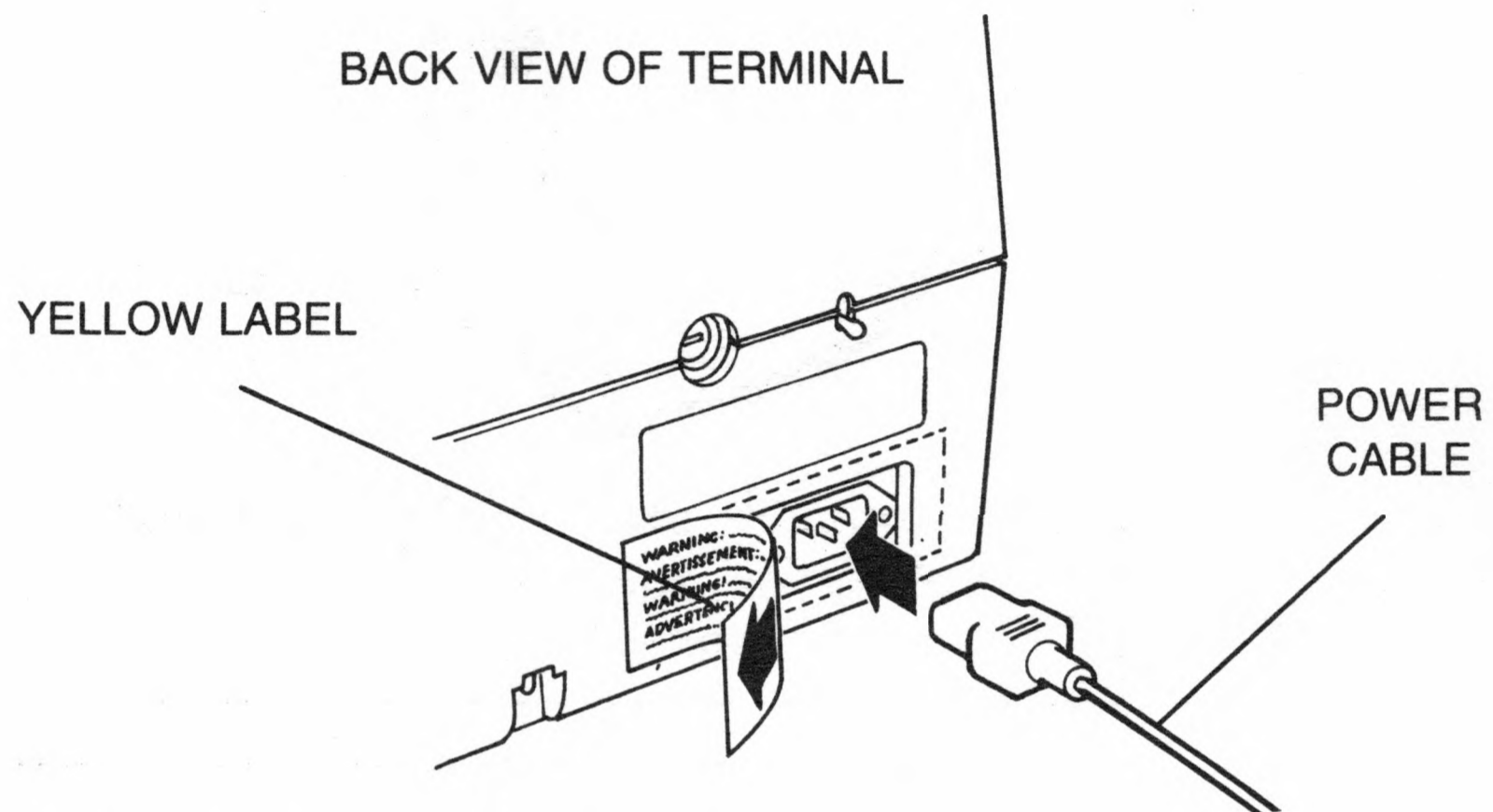
\* Connect plug marked TERMINAL to port labeled DISK on back of terminal. Tighten screws on connectors.



\* Connect plug marked DISKETTE to port located on lower right of drive unit. This cable provides communication from the terminal to the disk drives. Tighten screws on connectors.



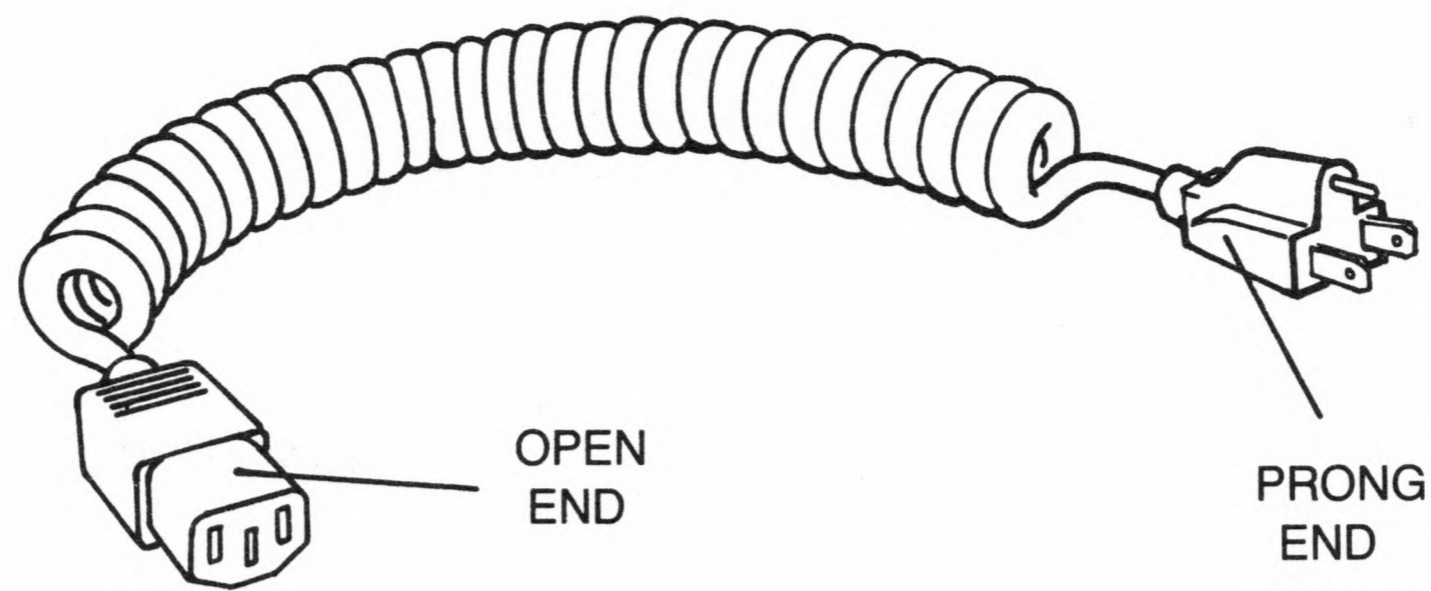
- \* Locate the long black power cable that was packed in the terminal carton.



- \* Read the yellow label covering the power socket on back of terminal.

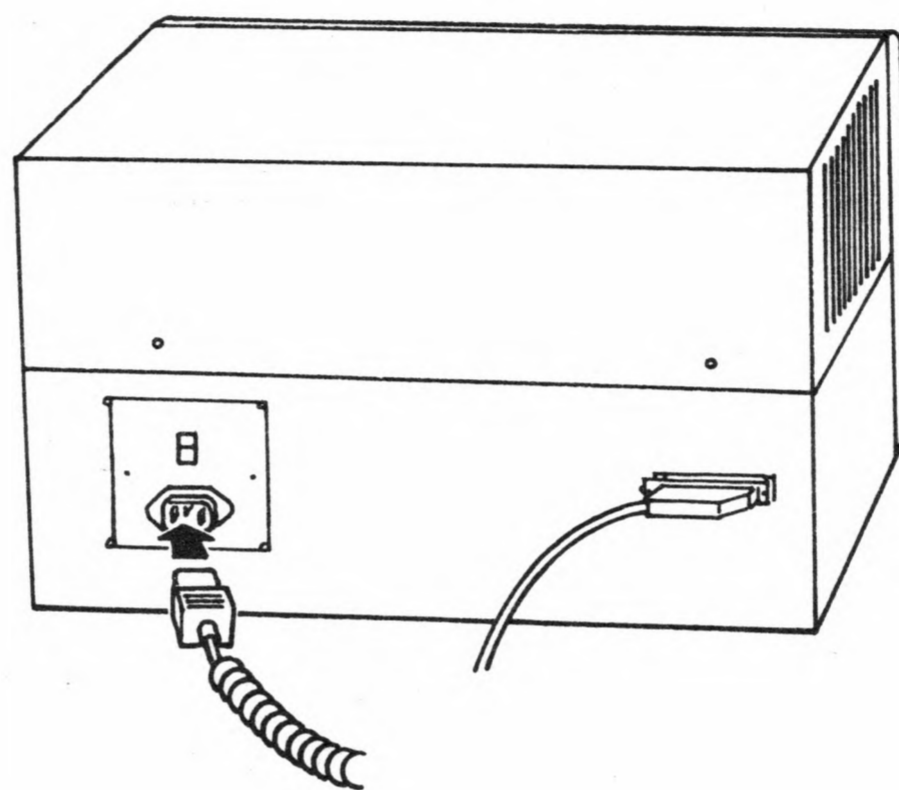
**Caution** In North America, the voltage indicated on the yellow label must be from 110 to 120. In Europe, the voltage on the yellow label must be from 220 to 240. If the voltage on the yellow label is not correct, do not continue with these instructions. Instead call your DECmate Sales Representative.

- \* Remove the yellow label.
- \* Check the red Voltage Select/Frequency Select switches next to the power socket. In North America, the setting must be 120 v/60 hz. In Europe, the setting must be 220-240 v/50 hz. If the setting is not correct, carefully move the switch(es) up or down to the proper setting.
- \* Insert open end of black cable into power socket. Insert prong end into a wall outlet.

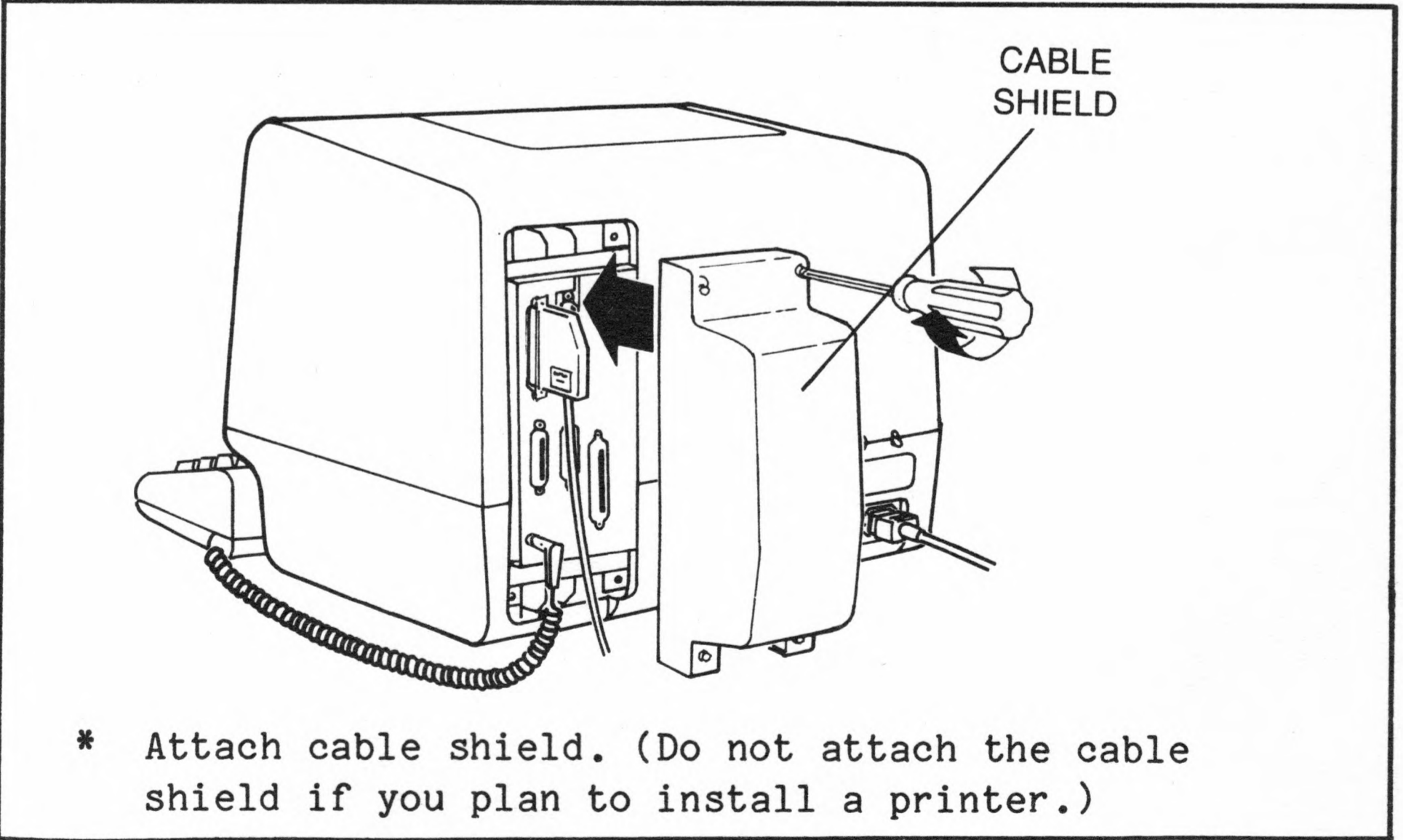
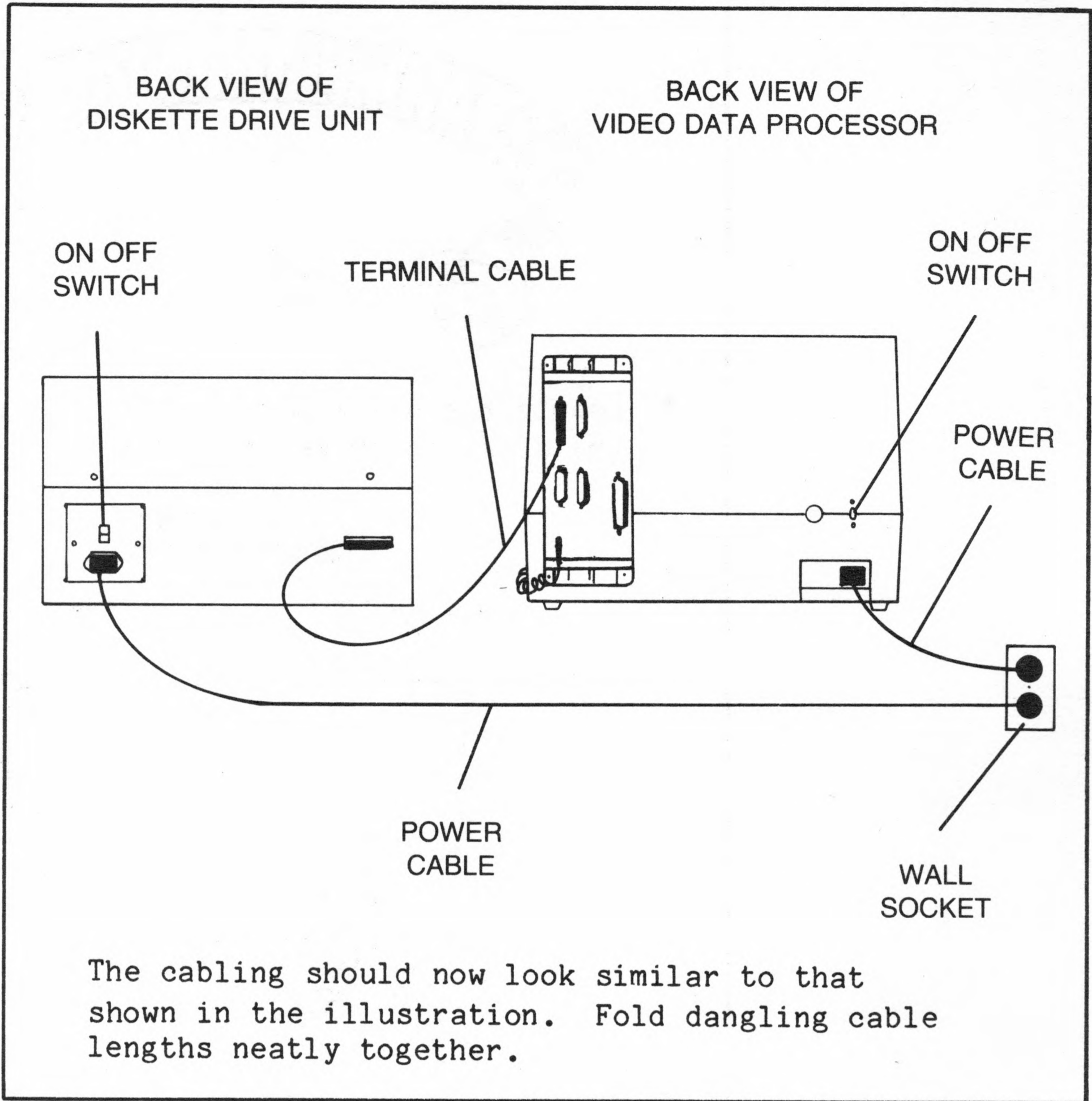


- \* Locate the black power cable that was packed in the diskette drive unit carton.

BACK VIEW OF  
DISKETTE DRIVE UNIT



- \* Insert open end into drive unit. Insert prong into a wall outlet.

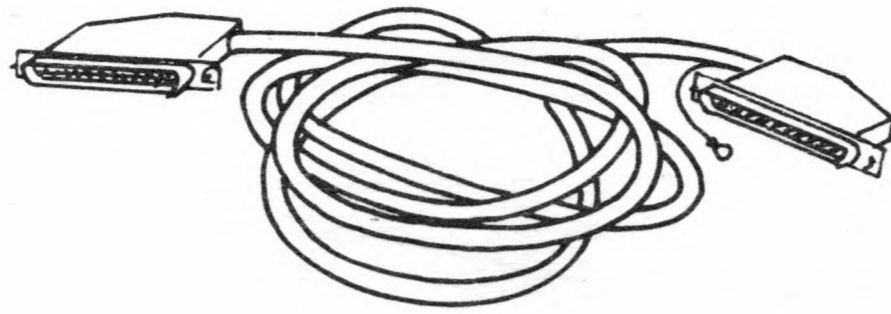


\*\*\*\*\*

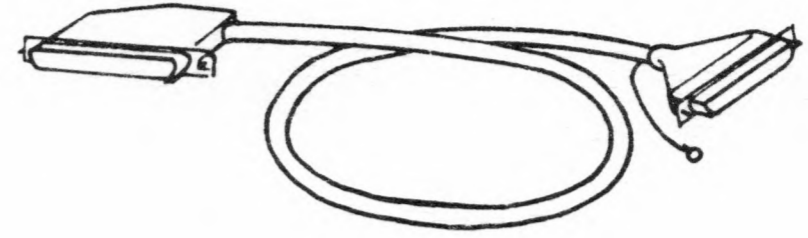
Your DECmate Basic System is now ready to operate.  
Refer to Chapter 3 for printer installation instructions.

\*\*\*\*\*

Below are the cables you should have left over.



Printer Cable  
(BC26S-15)



Modem Interface  
Cable (BC26R-03)

\*\*\*\*\*

Your DECmate Basic System is now ready to operate.  
Refer to Chapter 3 for printer installation instructions.

\*\*\*\*\*

\*\*\*\*\*

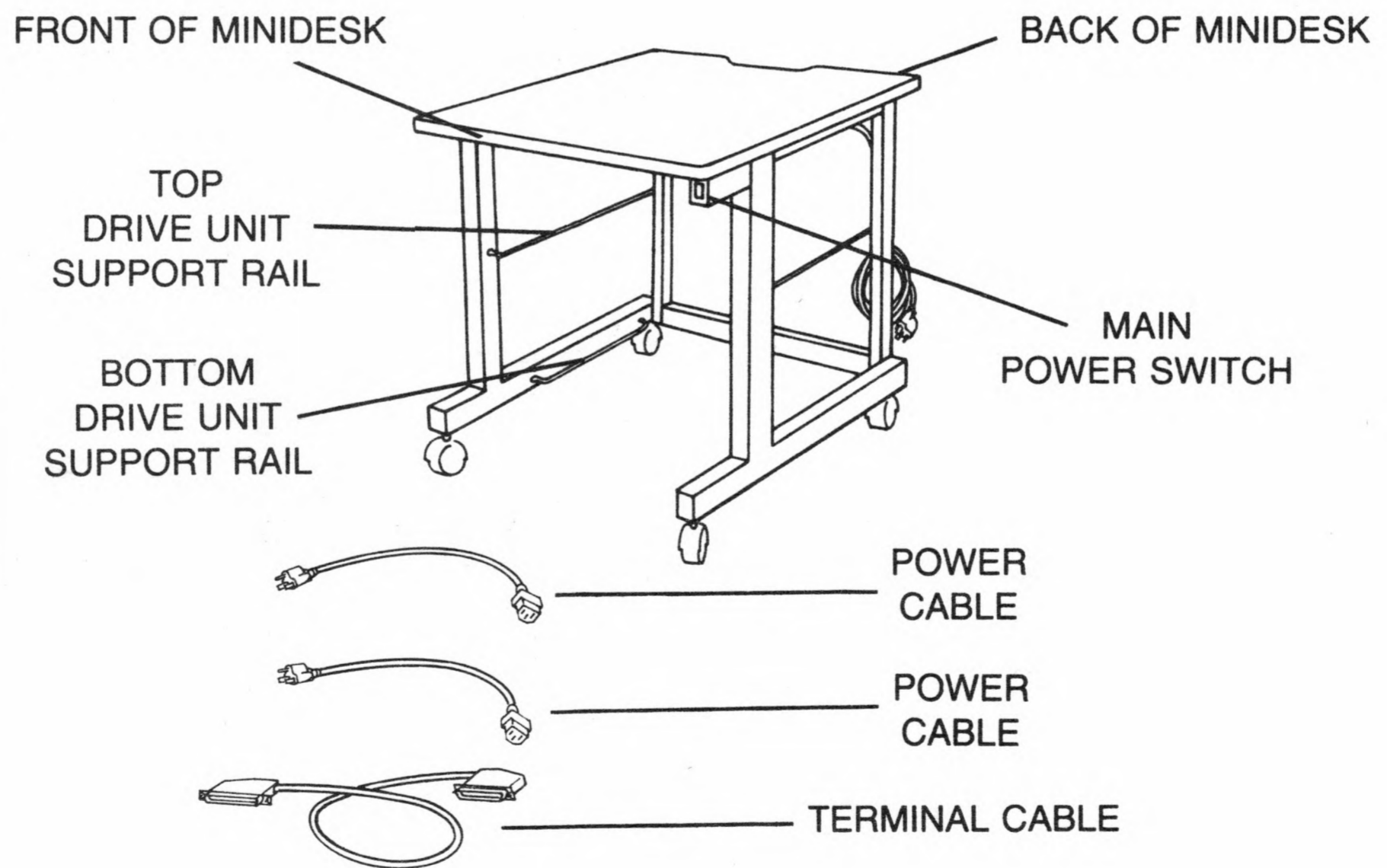
If your configuration has a Minidesk and one or two  
Diskette Drives, continue below.

\*\*\*\*\*

**The Dual- or  
Quad-drive  
DECmate System  
with Minidesk**

**How to Set Up  
Your Minidesk**

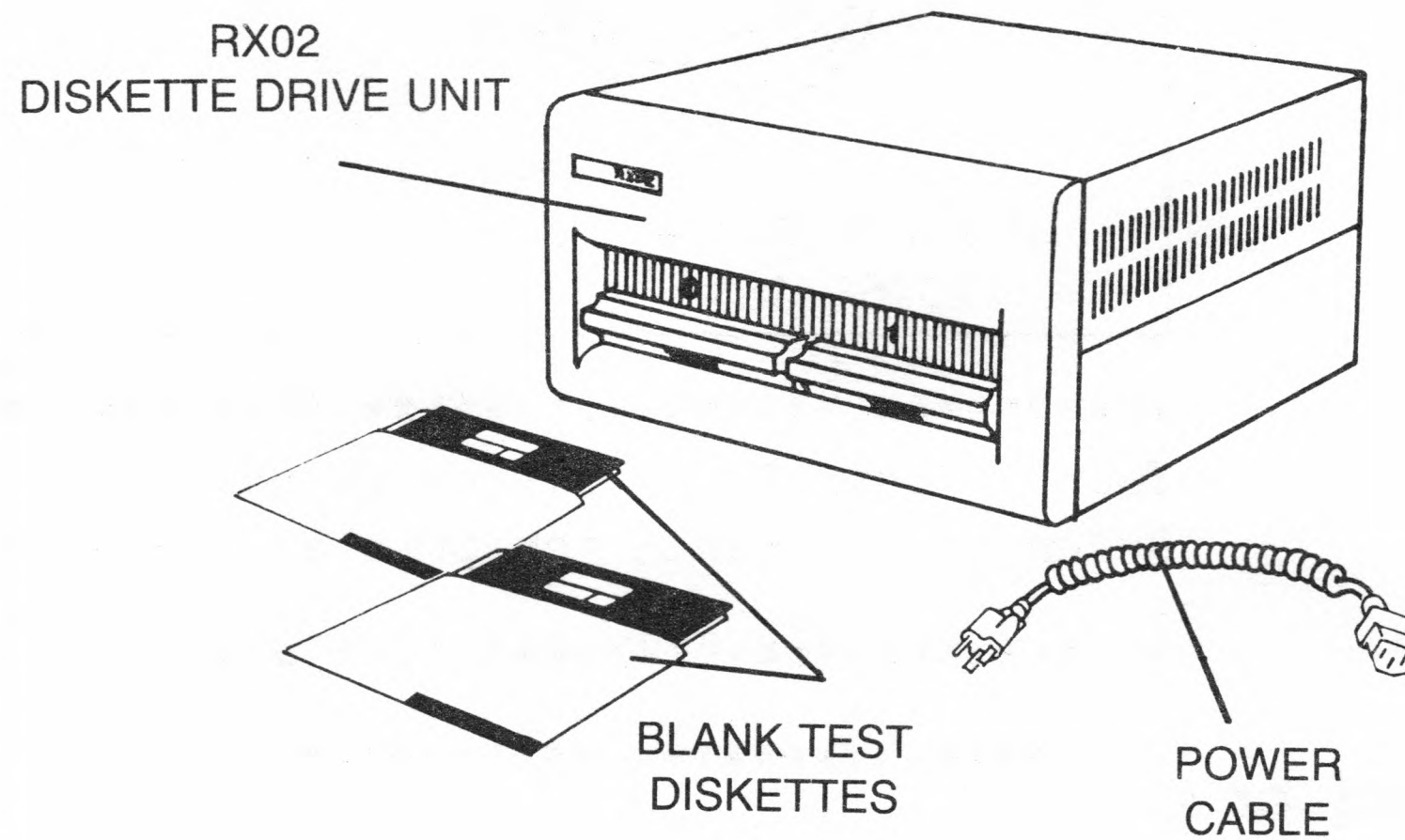
**Caution** The minidesk weighs 59 lbs (27 kilos).  
Two people may be needed to lift or  
move it.



- \* Unpack the minidesk's shipping carton.
- \* Inspect minidesk for possible shipping damage.
- \* Roll minidesk over to a wall or other immovable object.

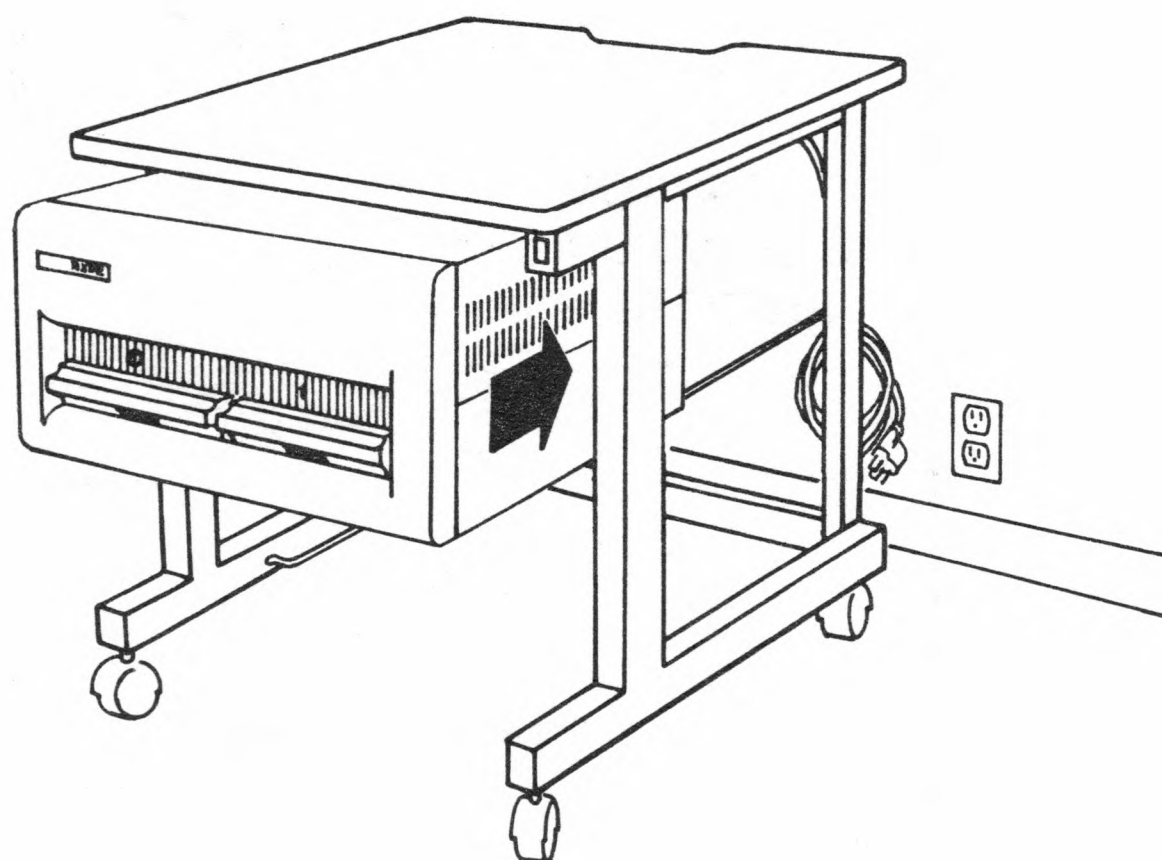
## How to Install Your Diskette Drive Unit

**Caution** The diskette drive unit weighs 65 lbs. (30 kilos). Two people are needed to lift it.

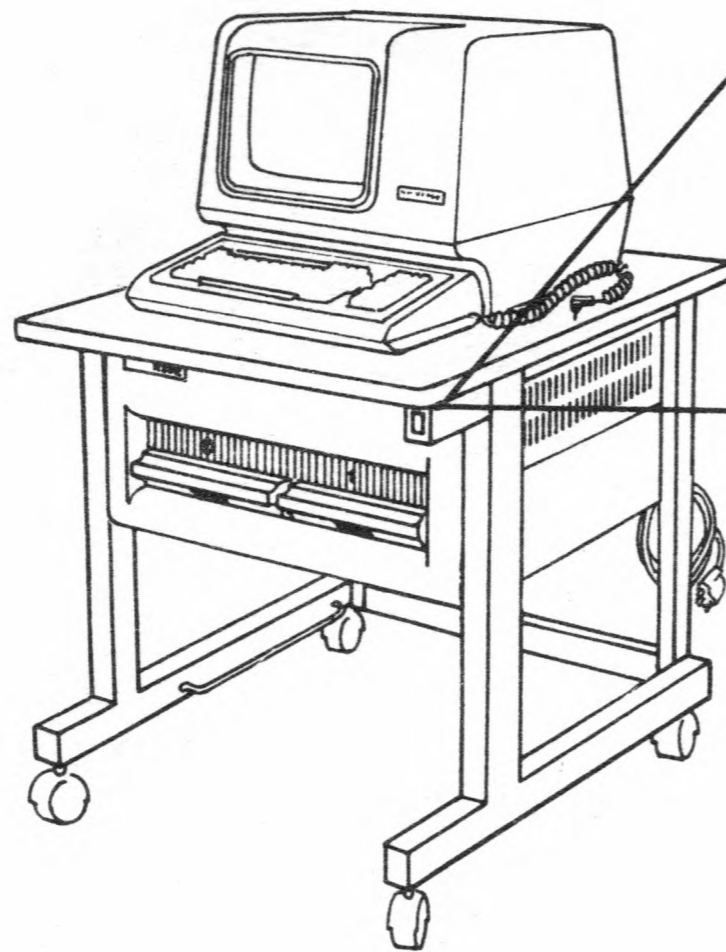


- \* Unpack the diskette drive unit(s).
- \* Inspect diskette drive unit for shipping damage.

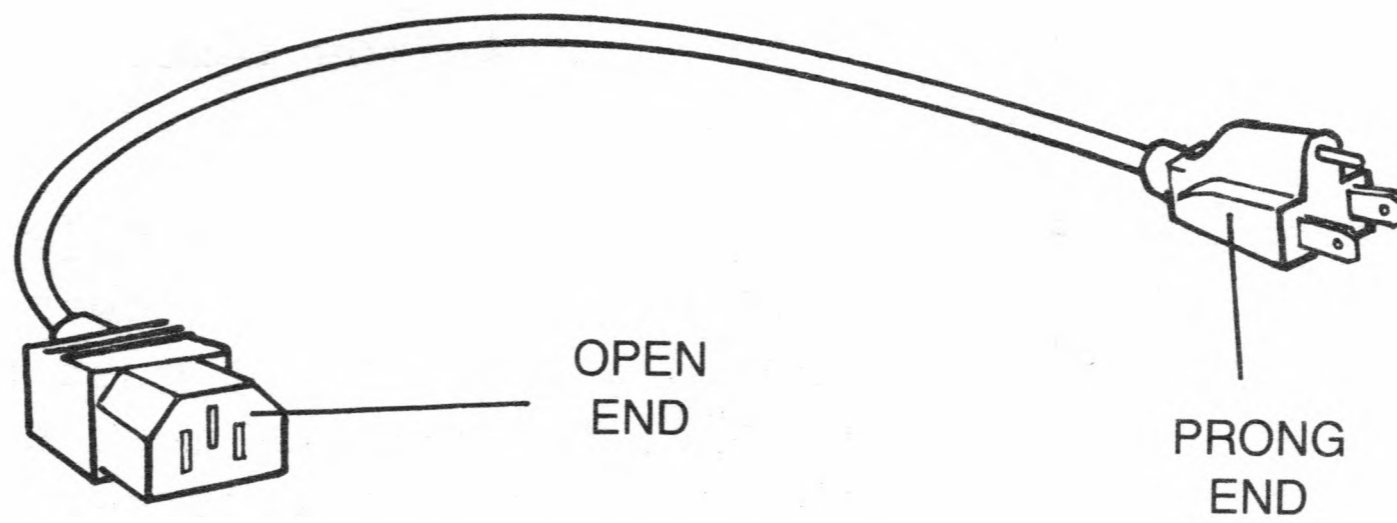
**Caution** Brace the minidesk against a wall or other immovable object before you slide in the diskette drive unit.



- \* Slide drive unit into minidesk along upper set of support rails.
- \* Push drive unit back as far as possible.



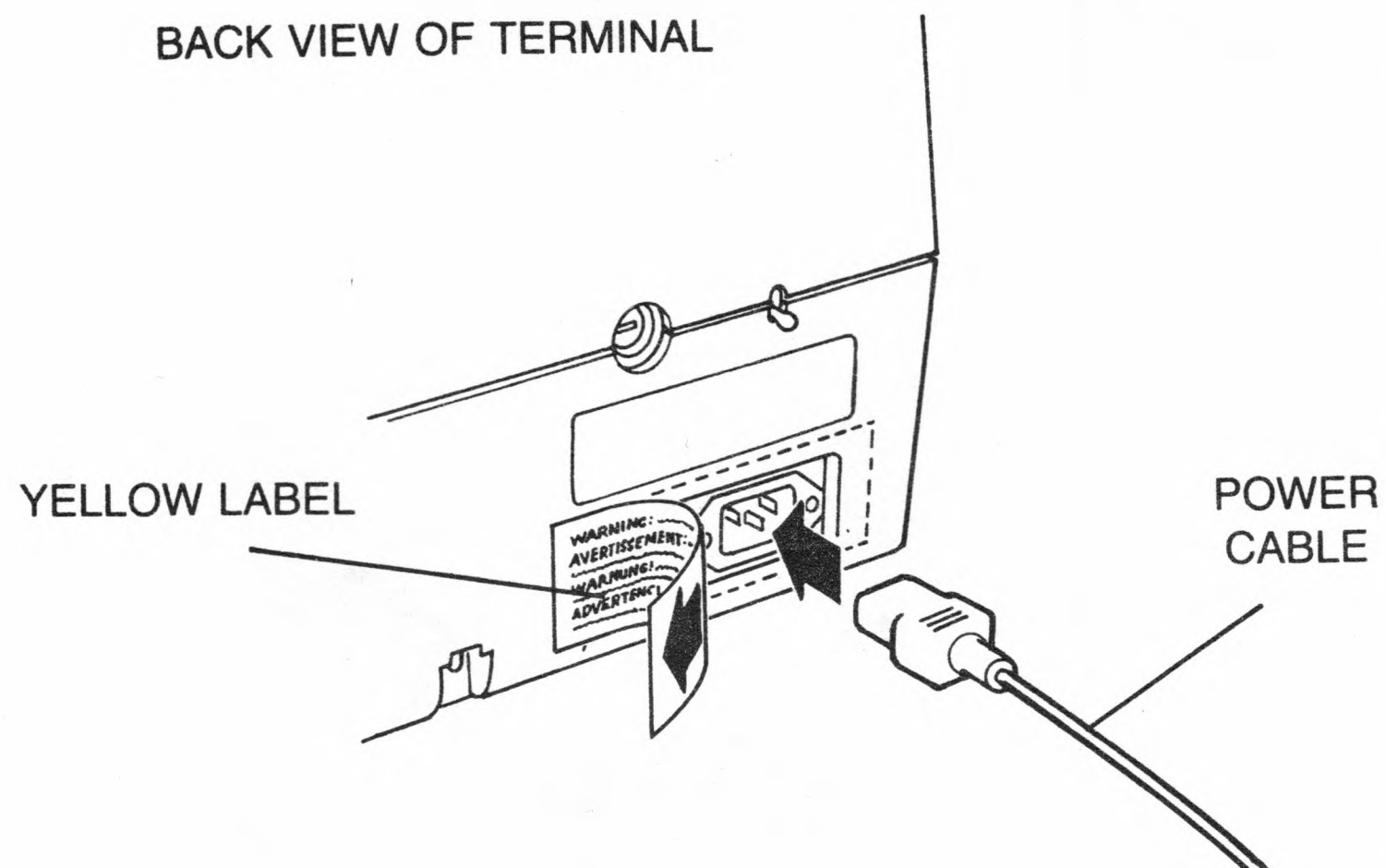
- \* Lift the terminal and keyboard onto minidesk.
- \* Press system power switch to OFF.



- \* Locate one of the short black power cables.



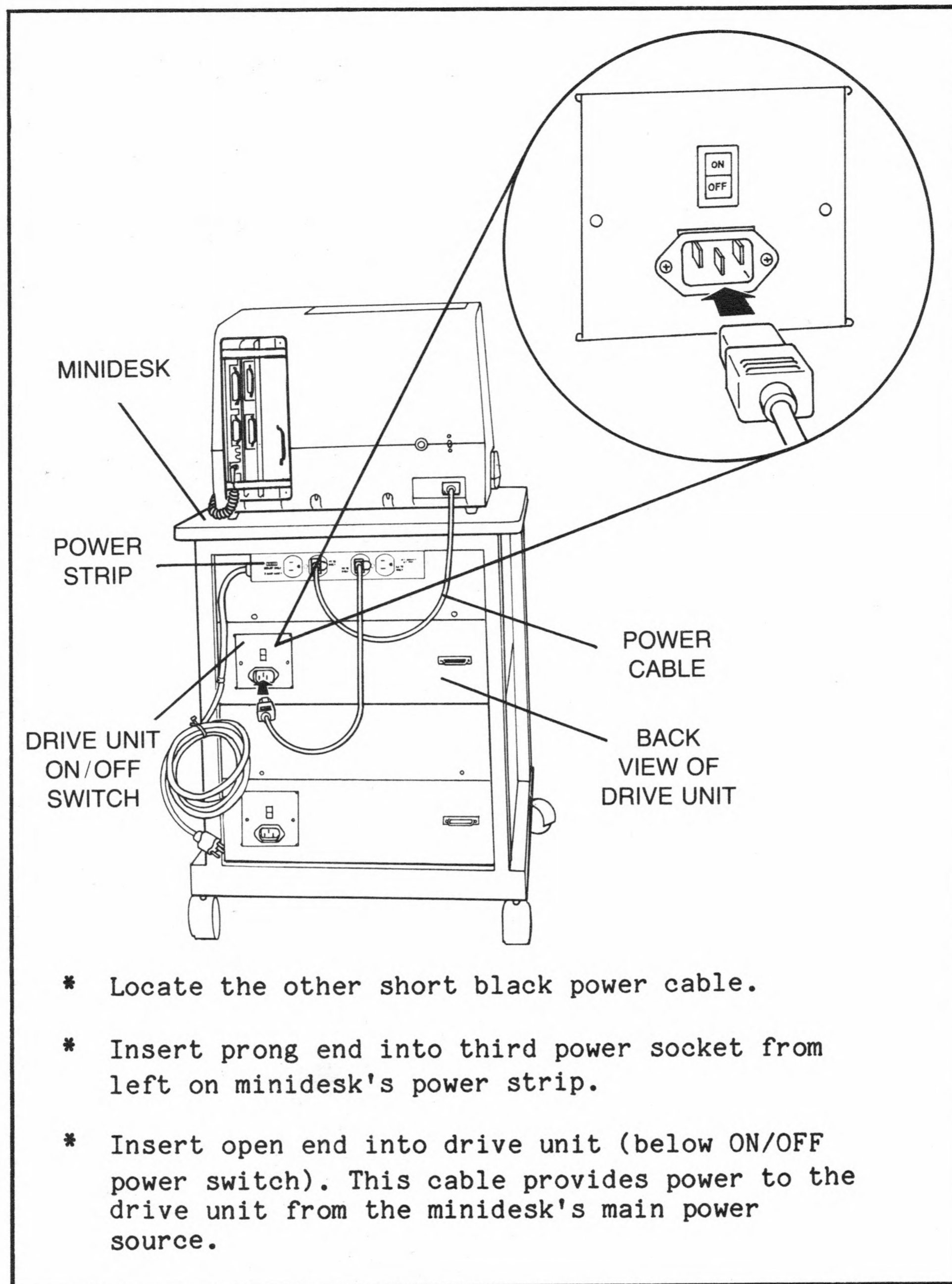
BACK VIEW OF TERMINAL

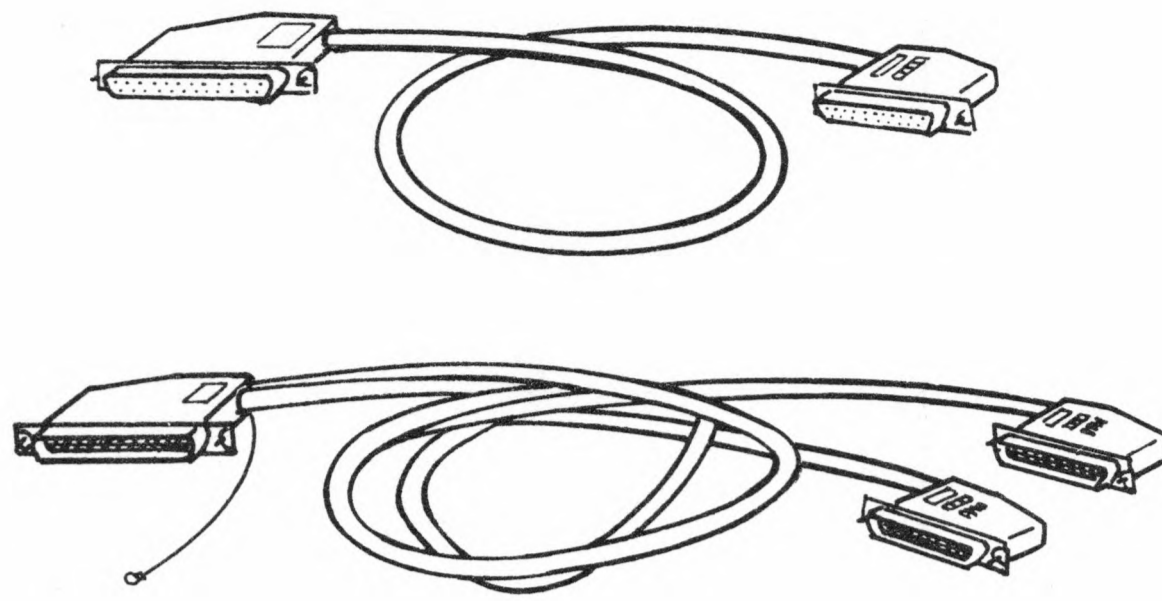


- \* Read the yellow label covering the power socket on back of terminal.

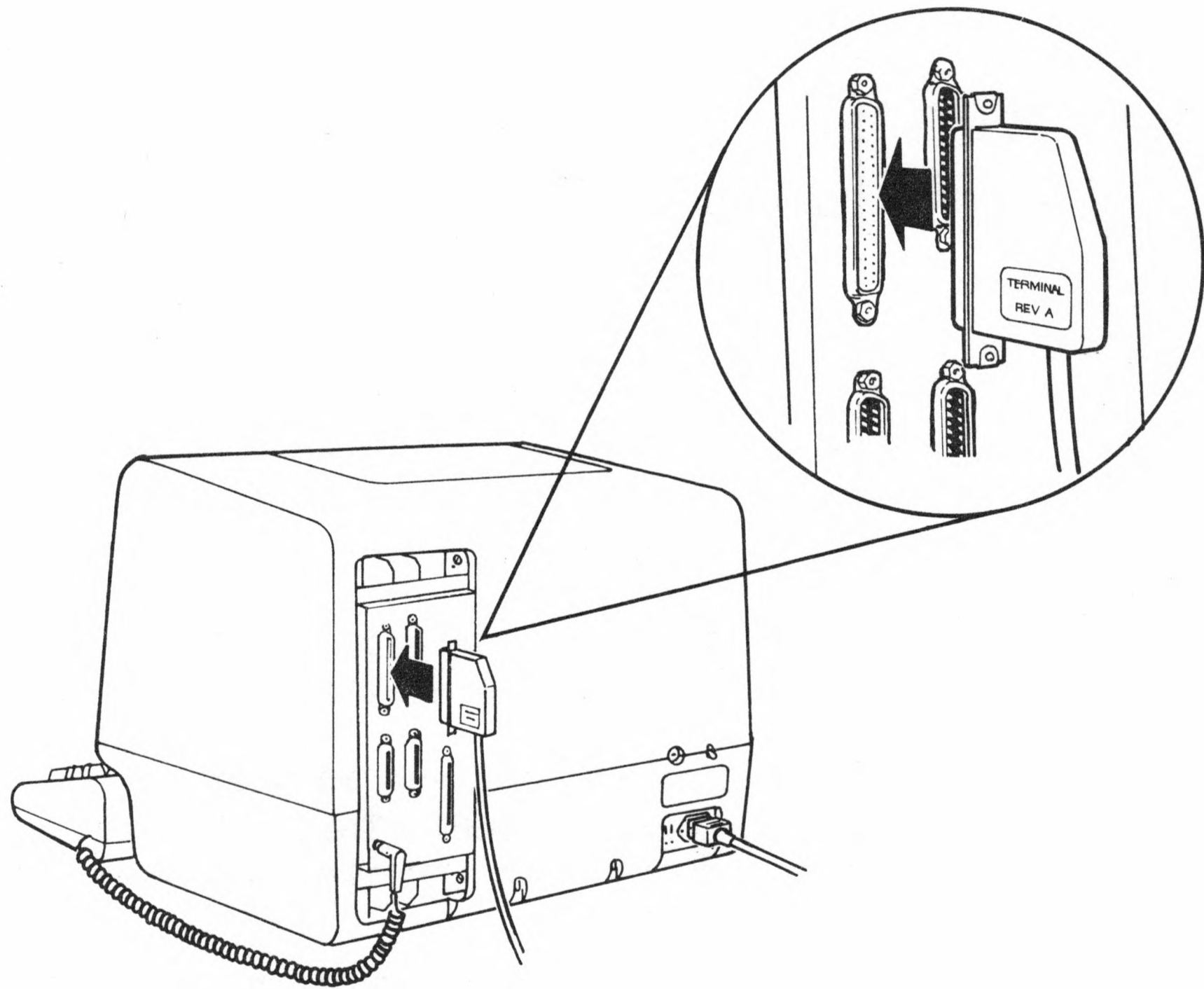
**Caution** In North America, the voltage indicated on the yellow label must be from 110 to 120. In Europe, the voltage on the yellow label must be from 220 to 240. If the voltage on the yellow label is not correct, do not continue with these instructions. Instead call your DECmate Sales Representative.

- \* Remove the yellow label.
- \* Check the red Voltage Select/Frequency Select switches next to the power socket. In North America, the setting must be 120 v/60 hz. In Europe, the setting must be 220-240 v/50 hz. If the setting is not correct, carefully move the switch(es) up or down to the proper setting.
- \* Insert the open end of the power cable into the terminal socket. Insert prong end into second power socket from left on minidesk power strip. This cable provides power to the terminal from the minidesk's main power source.





- \* Locate gray terminal cable, shipped in the minidesk carton. If you have a dual-drive system, this is a single cable. If you have a quad-drive system, it is a double cable (called a "Y" cable.)

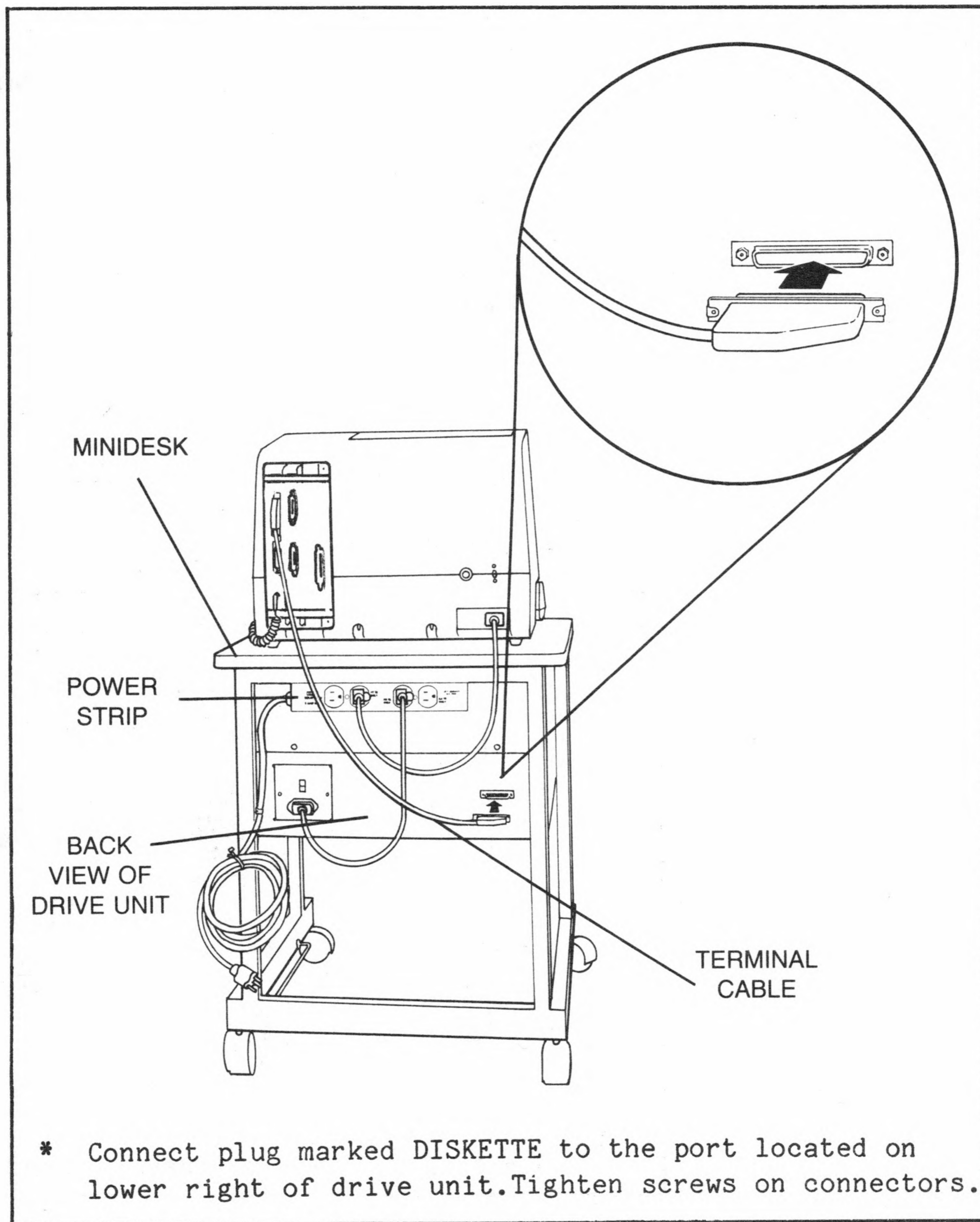


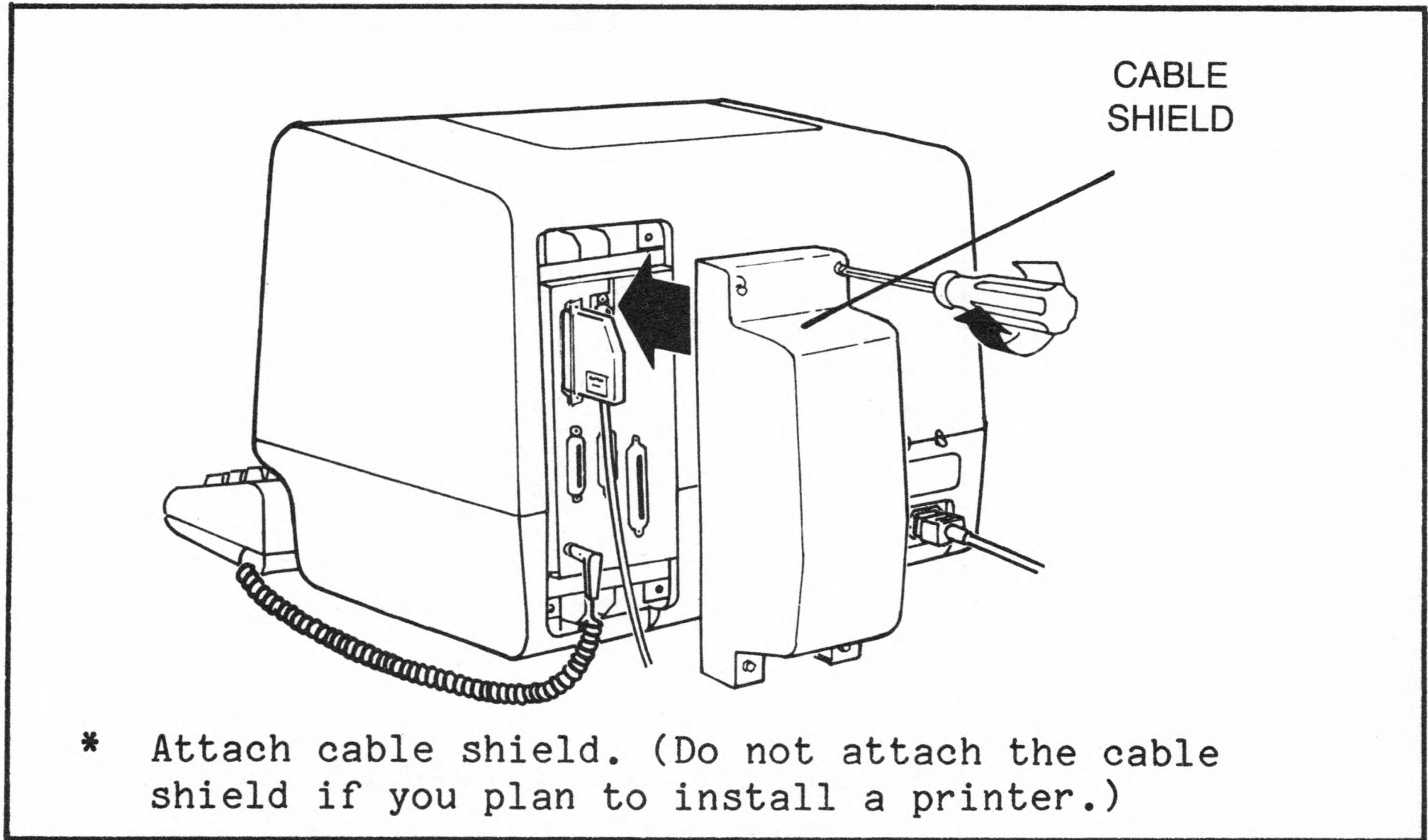
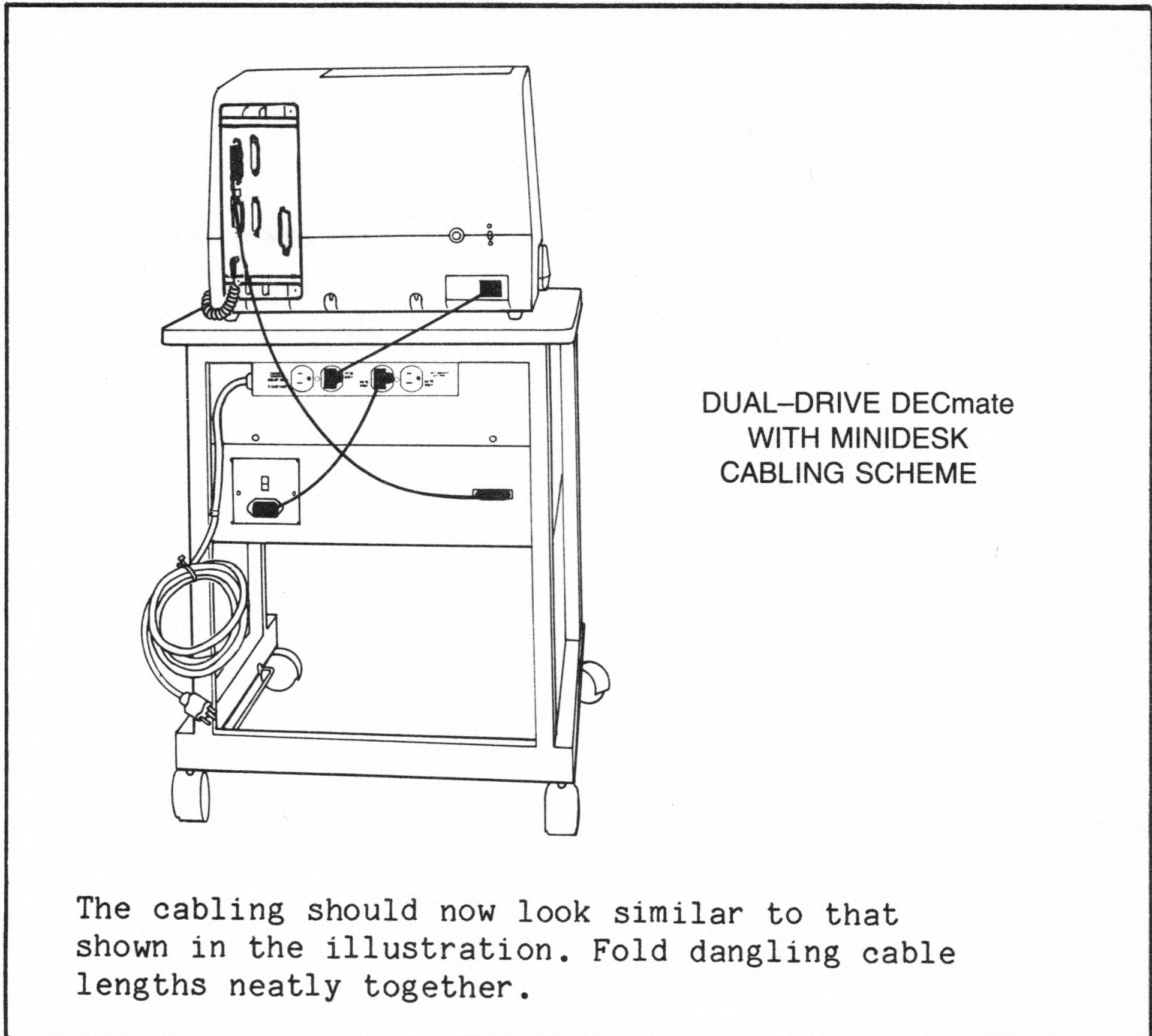
- \* Connect the cable plug marked TERMINAL to port labeled DISK on back of terminal. Tighten screws on connectors. This cable will provide communication from the terminal to the drive unit(s).

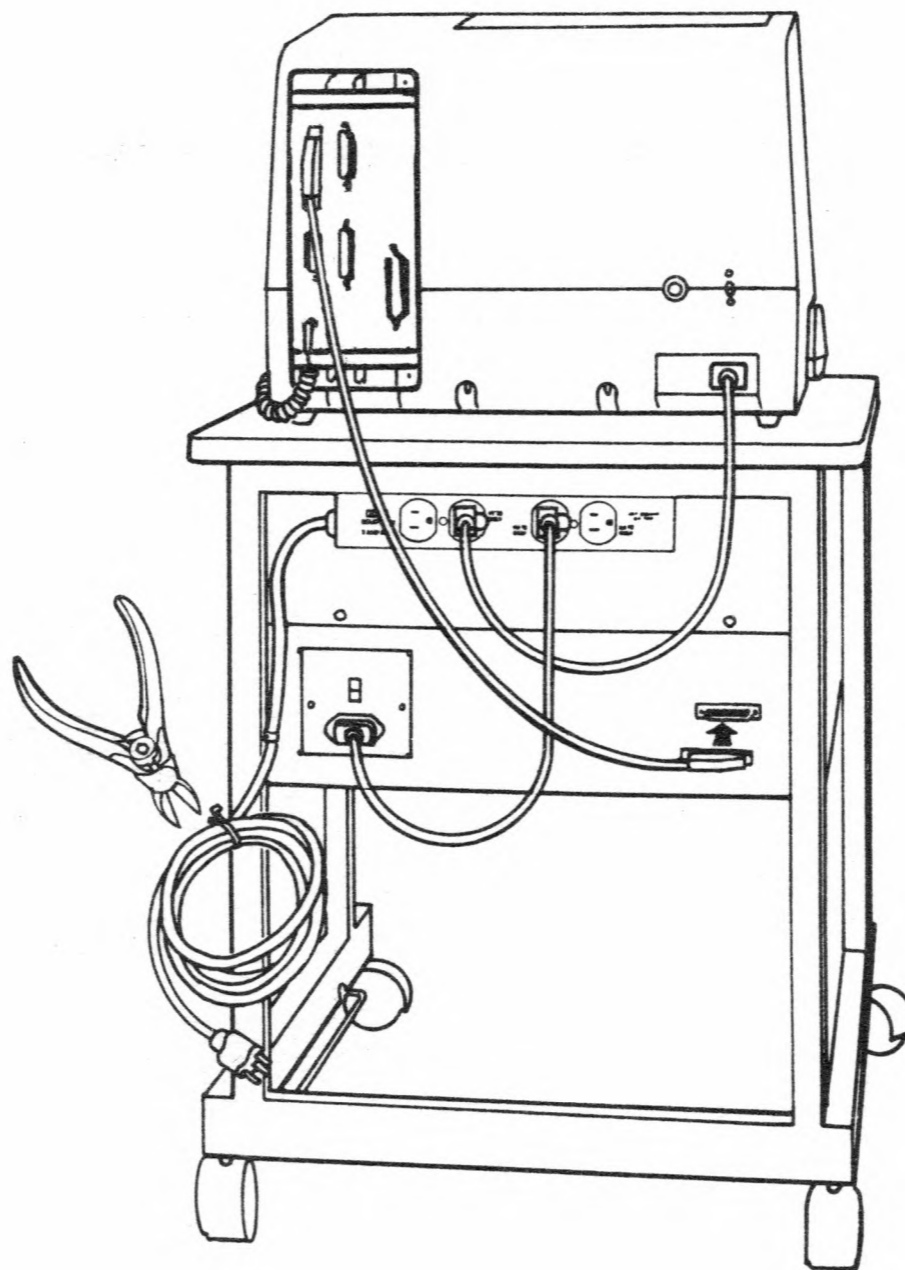
\*\*\*\*\*

If you have another Diskette Drive left, skip to page 2-22.  
Otherwise, continue below.

\*\*\*\*\*







- \* Locate system power cable.
- \* Cut cable tie. Be careful not to cut the power cable.
- \* Plug prong end of system power cable into a wall outlet.

Below are the cables you should have left over.



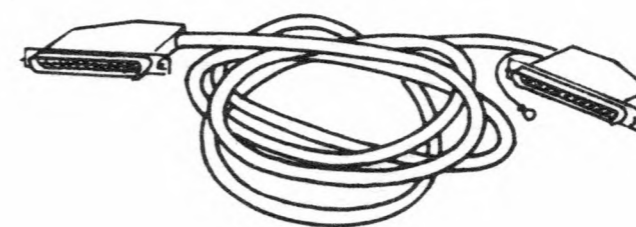
Coiled Power Cable



Long Power Cable



Modem Interface Cable  
(BC26R-03)



Printer Cable (BC26S-15)

\*\*\*\*\*

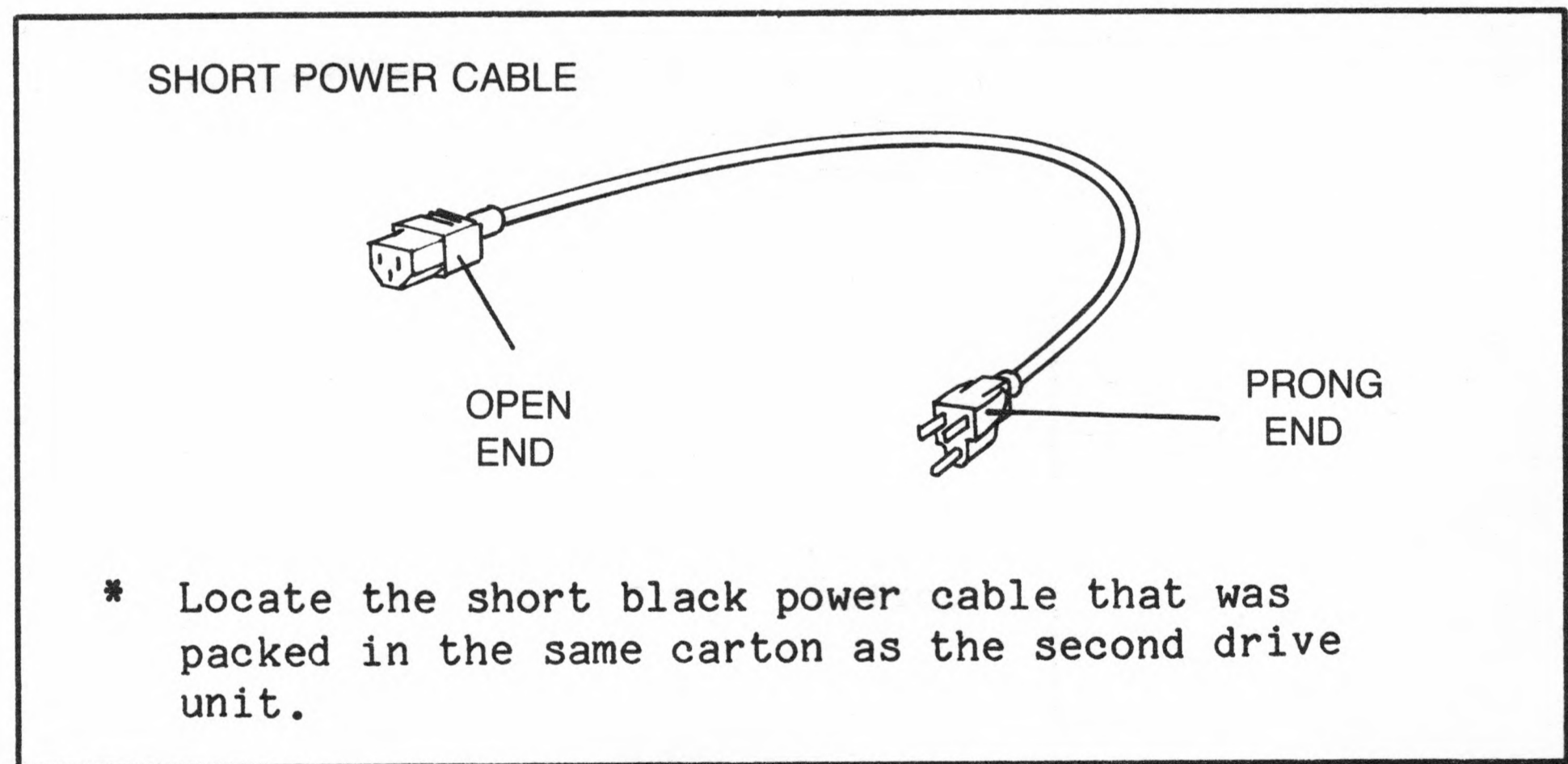
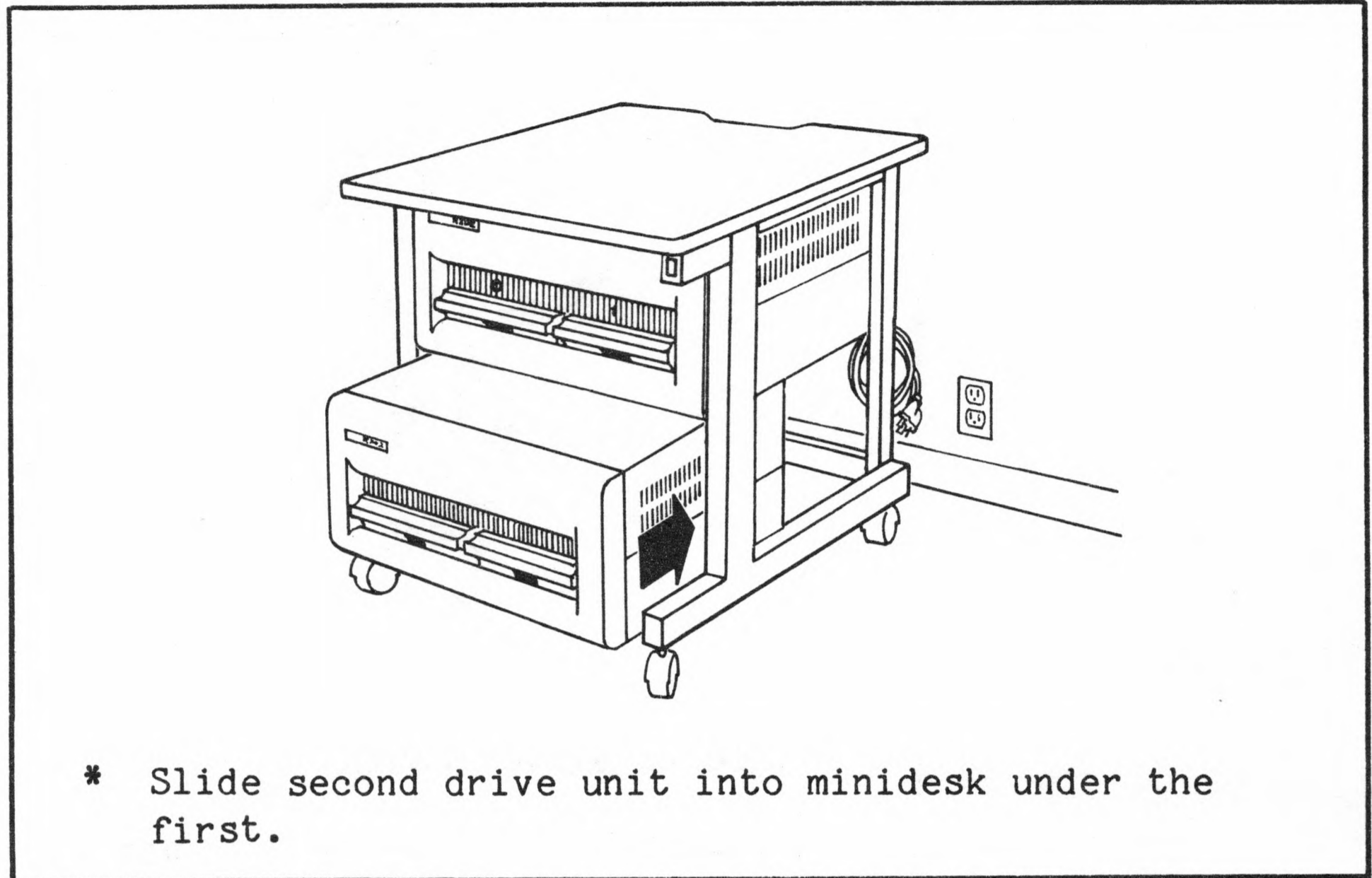
You have completed installing your Dual-Drive DECmate system.  
Refer to Chapter 3 for printer installation instructions.

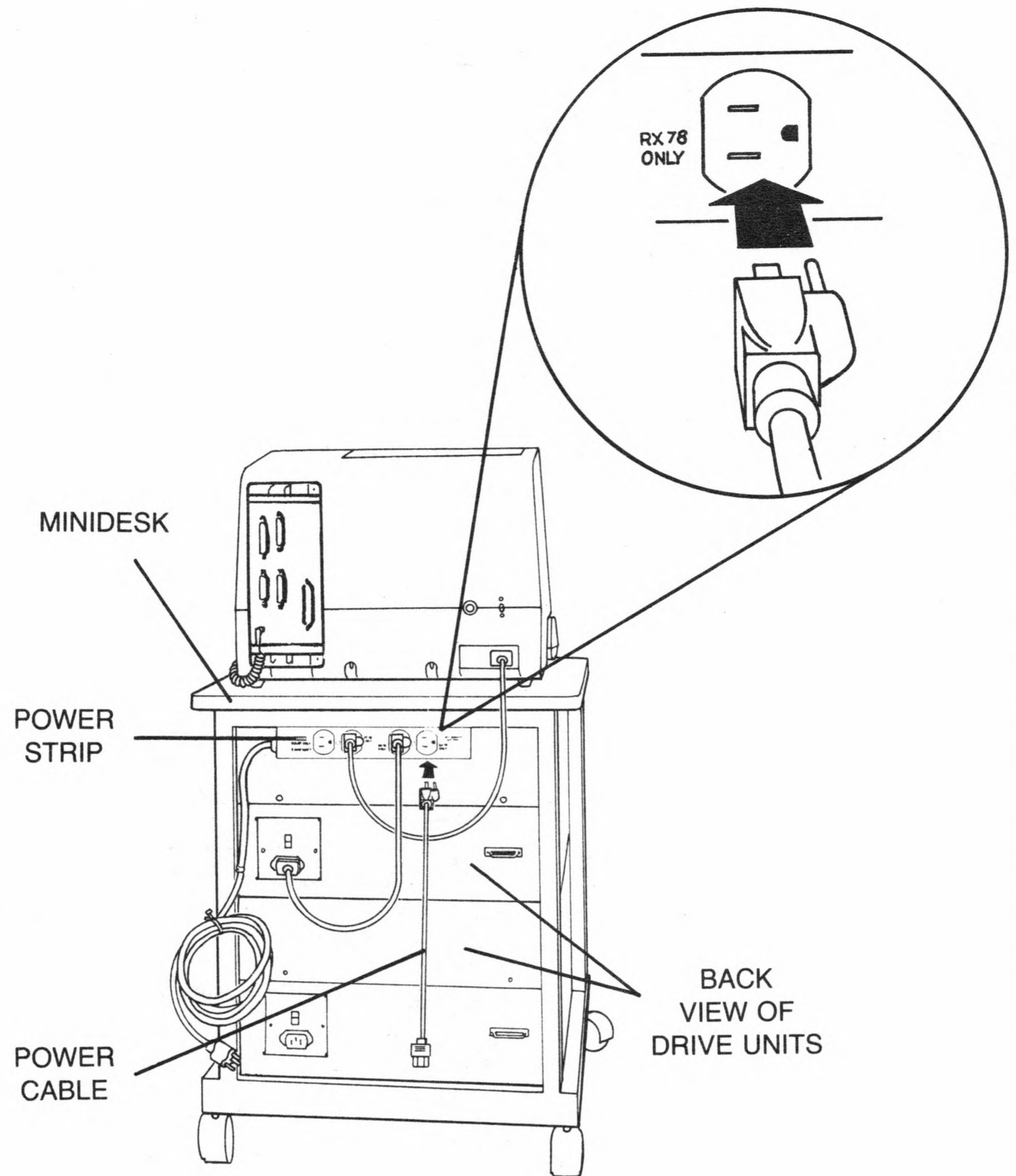
\*\*\*\*\*

\*\*\*\*\*

If your configuration is a Quad-Drive system, continue below.

\*\*\*\*\*





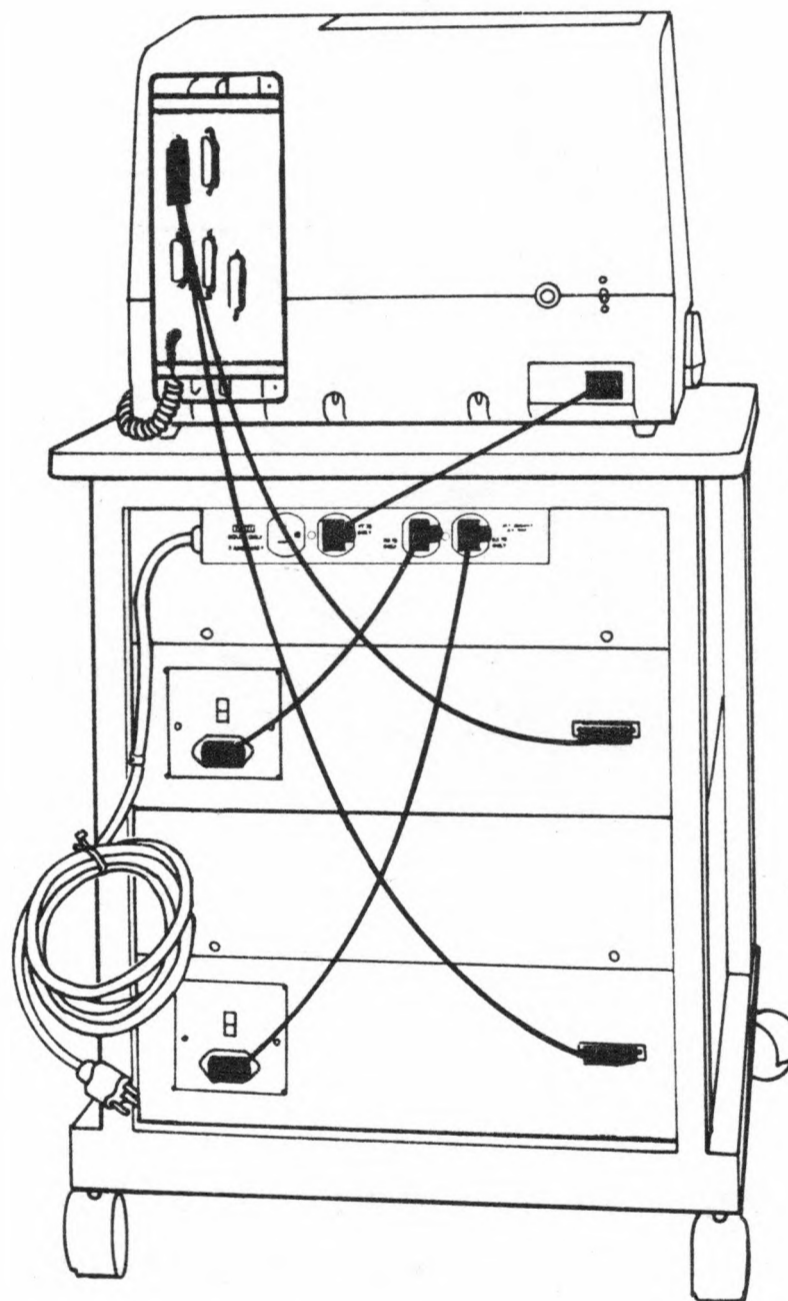
- \* Insert prong end into fourth power socket from left on minidesk power strip. This cable provides power to the drive unit from the minidesk's main power source.
- \* Insert open end into bottom drive unit (below ON/OFF power switch).



- \* Locate gray terminal/disk cable, that is already attached to the terminal.

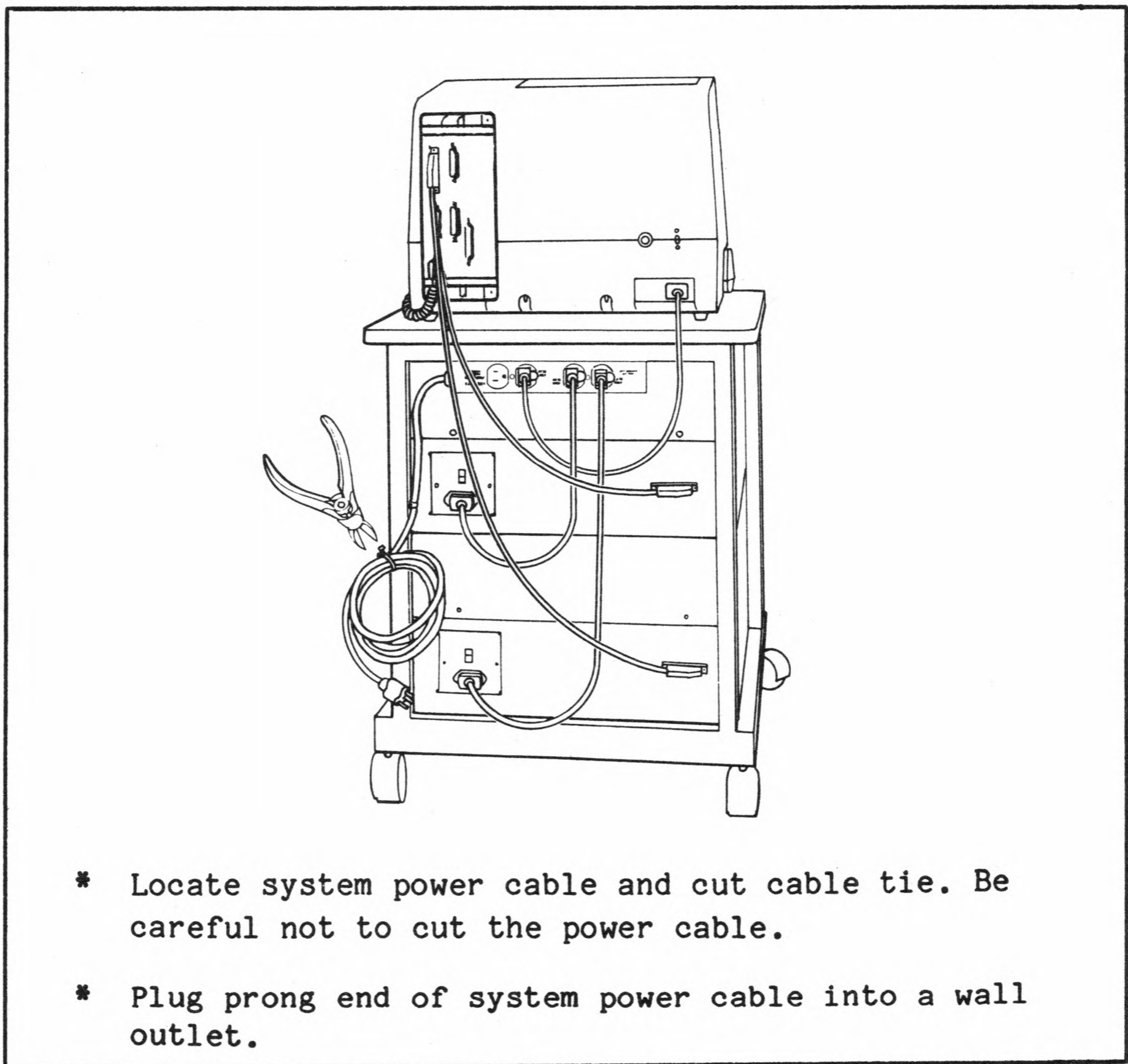
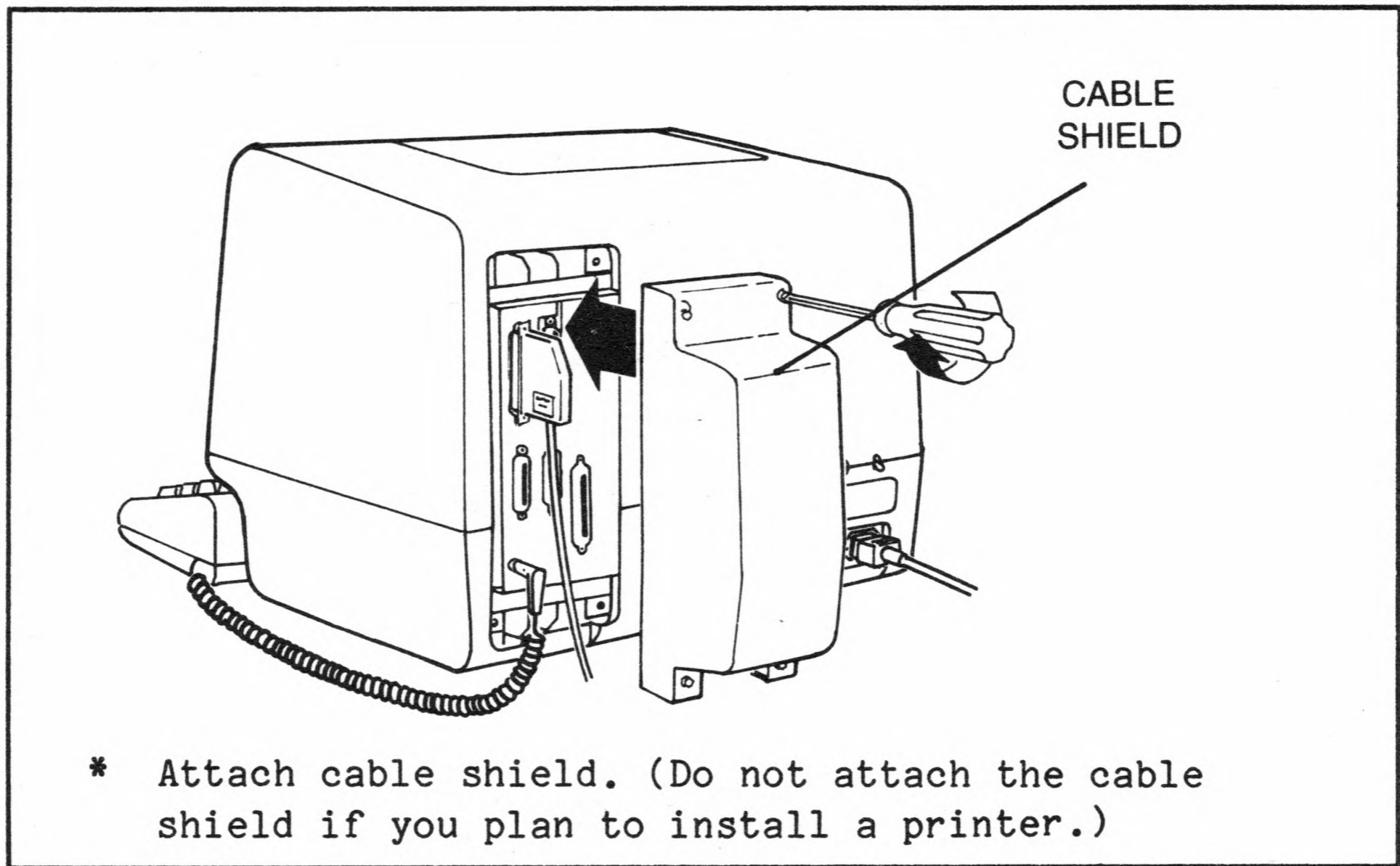
(See illustration below.)

- \* Connect plug on shorter leg of the cable (marked 1 ) to port located on lower right of top drive unit. Tighten screws on connectors.
- \* Connect plug on longer leg of the cable (marked 2 ) to port located on lower right of bottom drive unit. These cables provide communication from the terminal to the disk drives. Tighten screws on connectors.

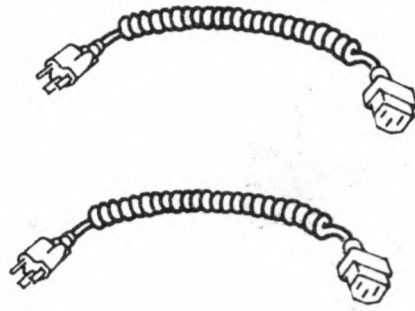


QUAD-DRIVE DECmate  
WITH MINIDISK  
CABLING SCHEME

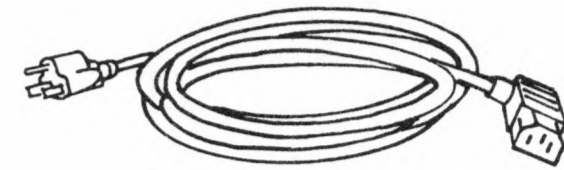
The cabling should now look similar to that shown in the illustration. Fold dangling cable lengths neatly together.



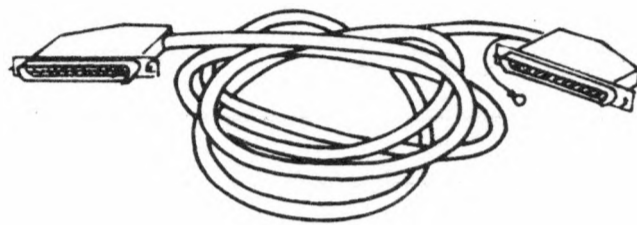
Below are the cables you should have left over.



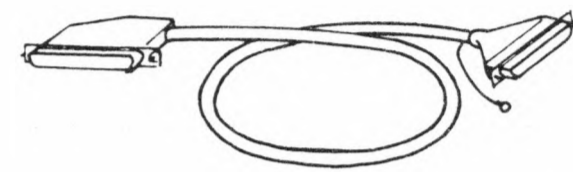
2 Coiled Power Cables



Long Power Cable



Printer Cable (BC26S-15)



Modem Interface Cable  
(BC26R-03)

\*\*\*\*\*  
You have completed installing your DECmate Quad-Drive system.  
Refer to Chapter 3 for printer installation instructions.  
\*\*\*\*\*

## Chapter 3

### Install Your Printer

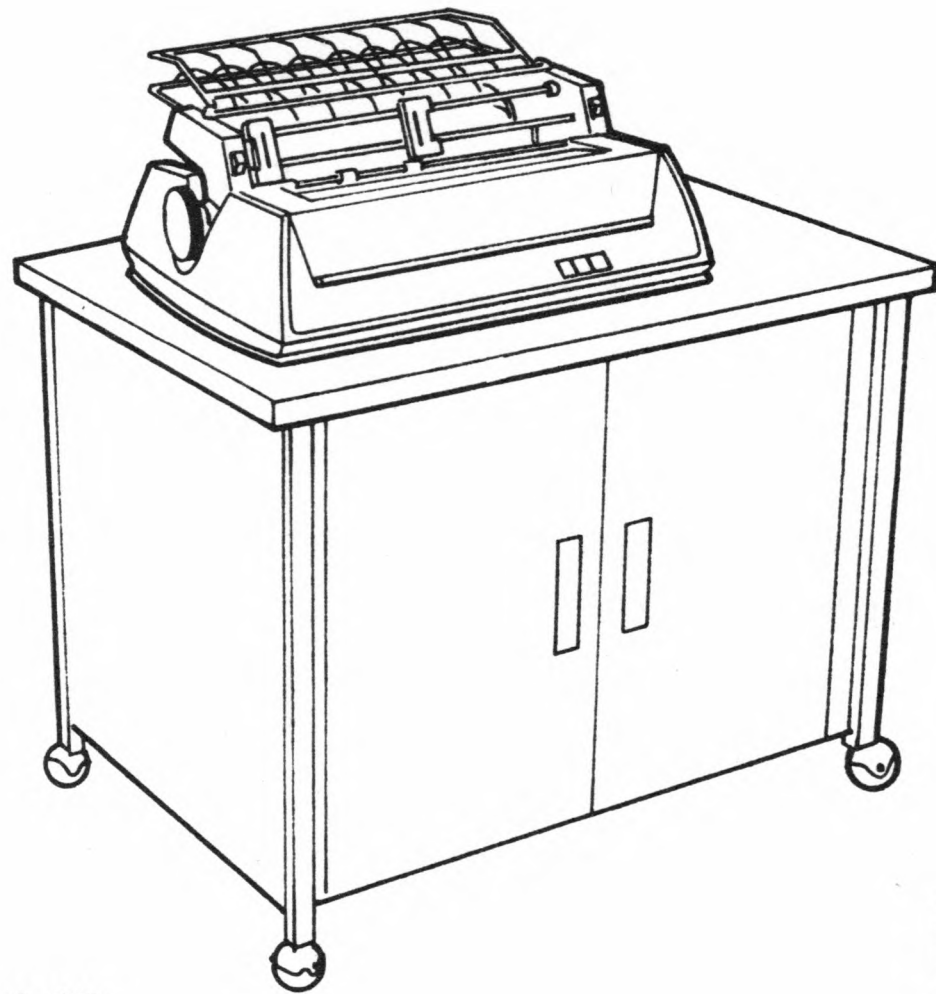
**Identify Your Printer** There are several types of printers that may be successfully used with the DECmate system.

This chapter explains how to install your printer.

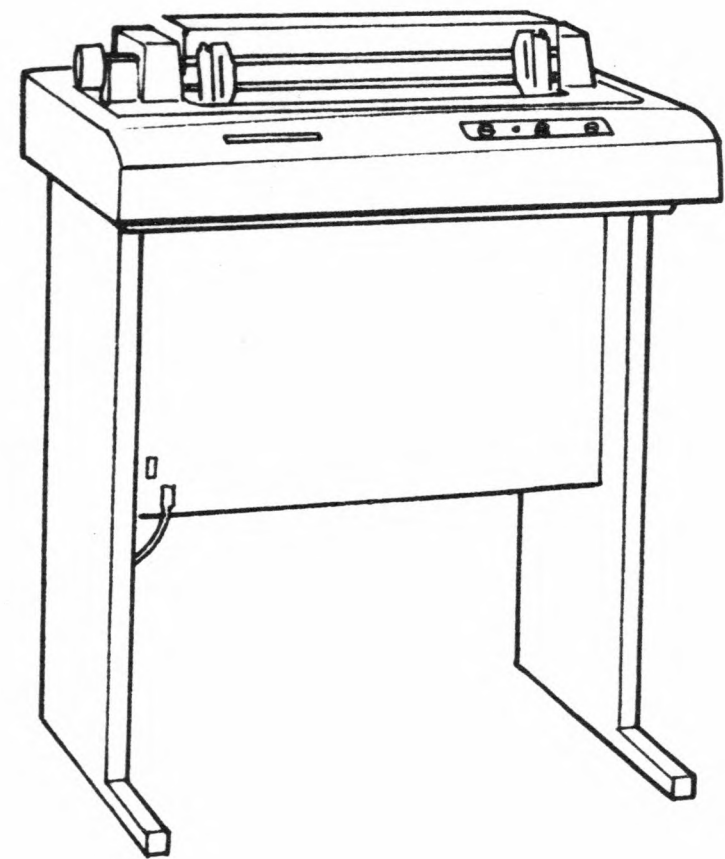
Identify which printer you have from the illustrations on the next page, and refer to the appropriate page.

#### Notes on Installation:

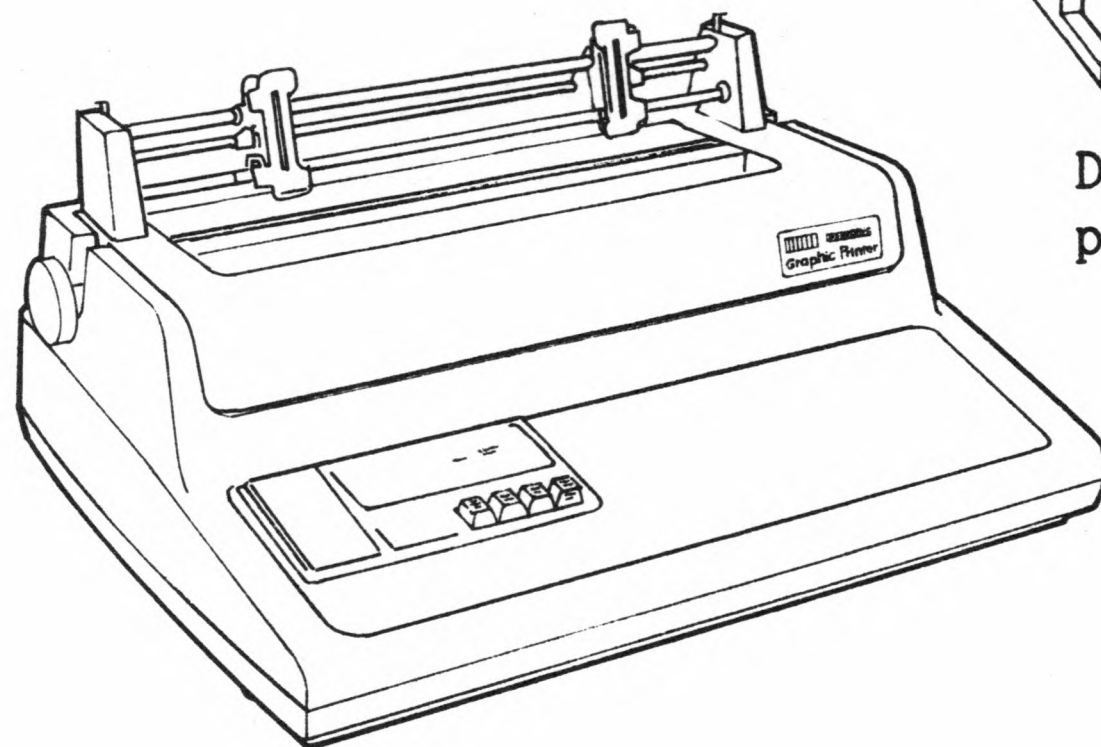
- When installing your printer, use the printer cable that is provided with your DECmate (gray with black plugs). This cable is specially designed to fit under the terminal cable shield.
- Double-Throw Shared Printer Switch. A shared printer switch is an option available from your DECmate Sales Representative. It allows you to connect two terminals to a single printer. If you have this option, follow the installation instructions on the bottom of the switch itself.



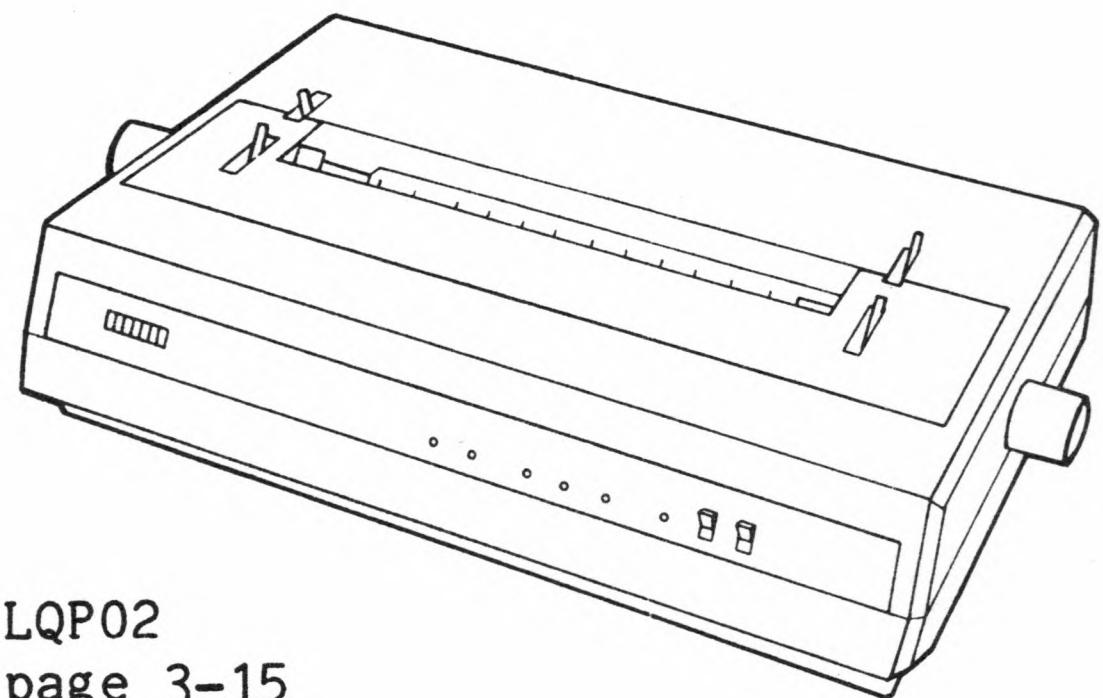
LQP  
page 3-15



DECprinter III (LA120)  
page 3-3



DECwriter IV  
page 3-9



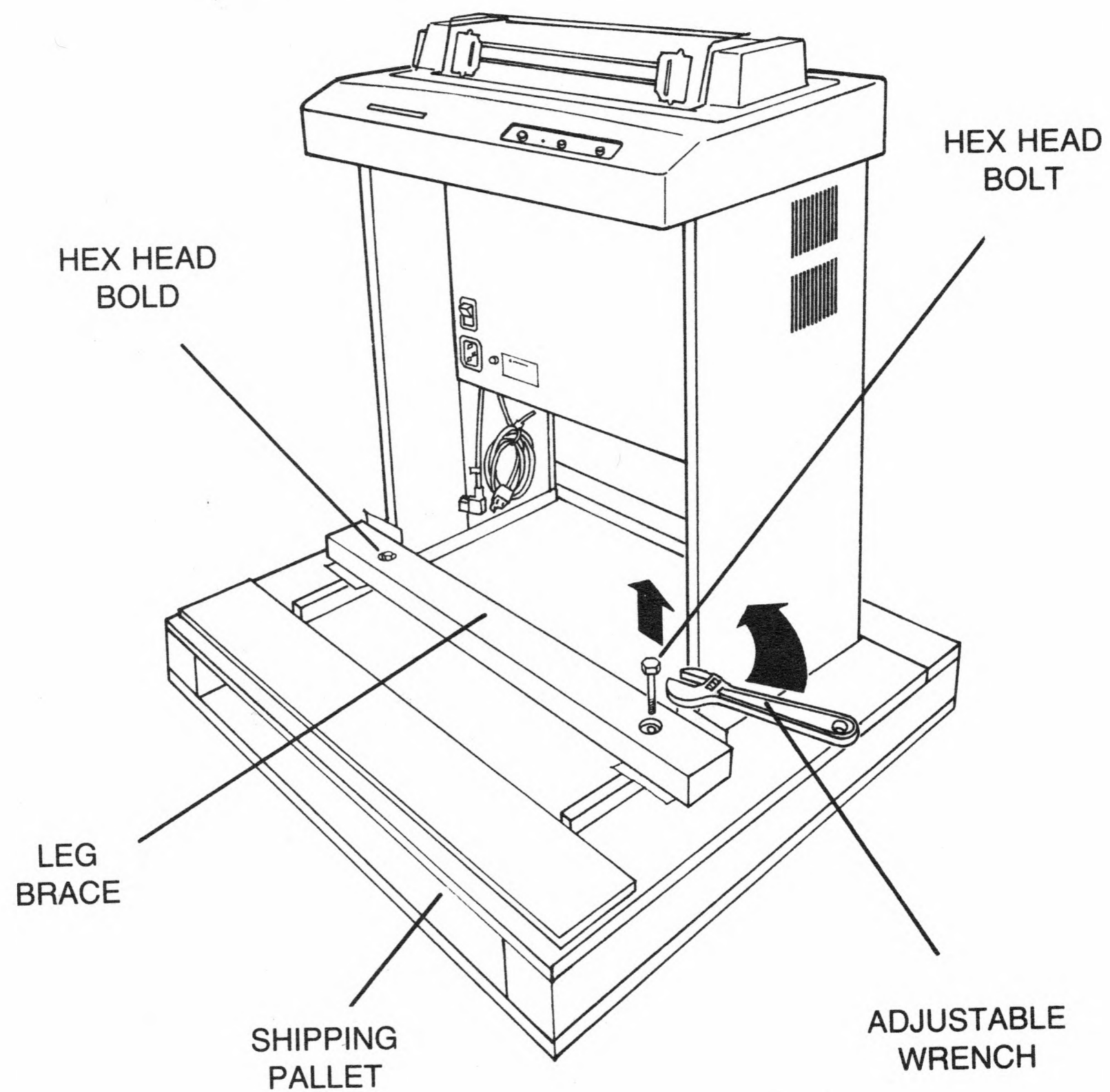
LQP02  
page 3-15

LA100  
page 3-17

## DECprinter III (LA120) Printer

**Note** You will need an adjustable wrench to install your DECprinter III (LA120).

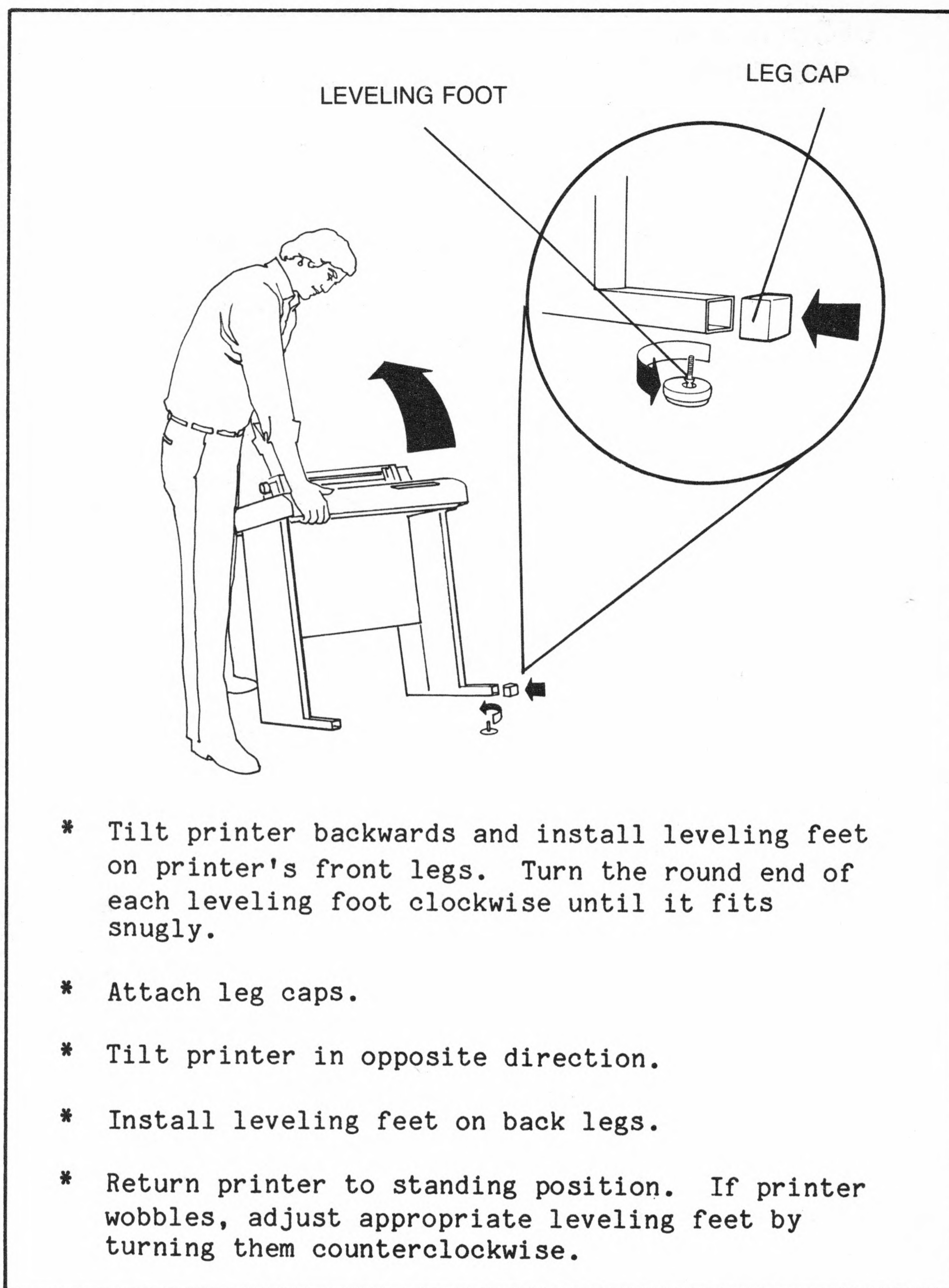
- \* Cut plastic strapping and remove cardboard shipping carton.
- \* Remove all packing material.
- \* Make sure you have everything shown in the illustration.
- \* Inspect LA120 for shipping damage.

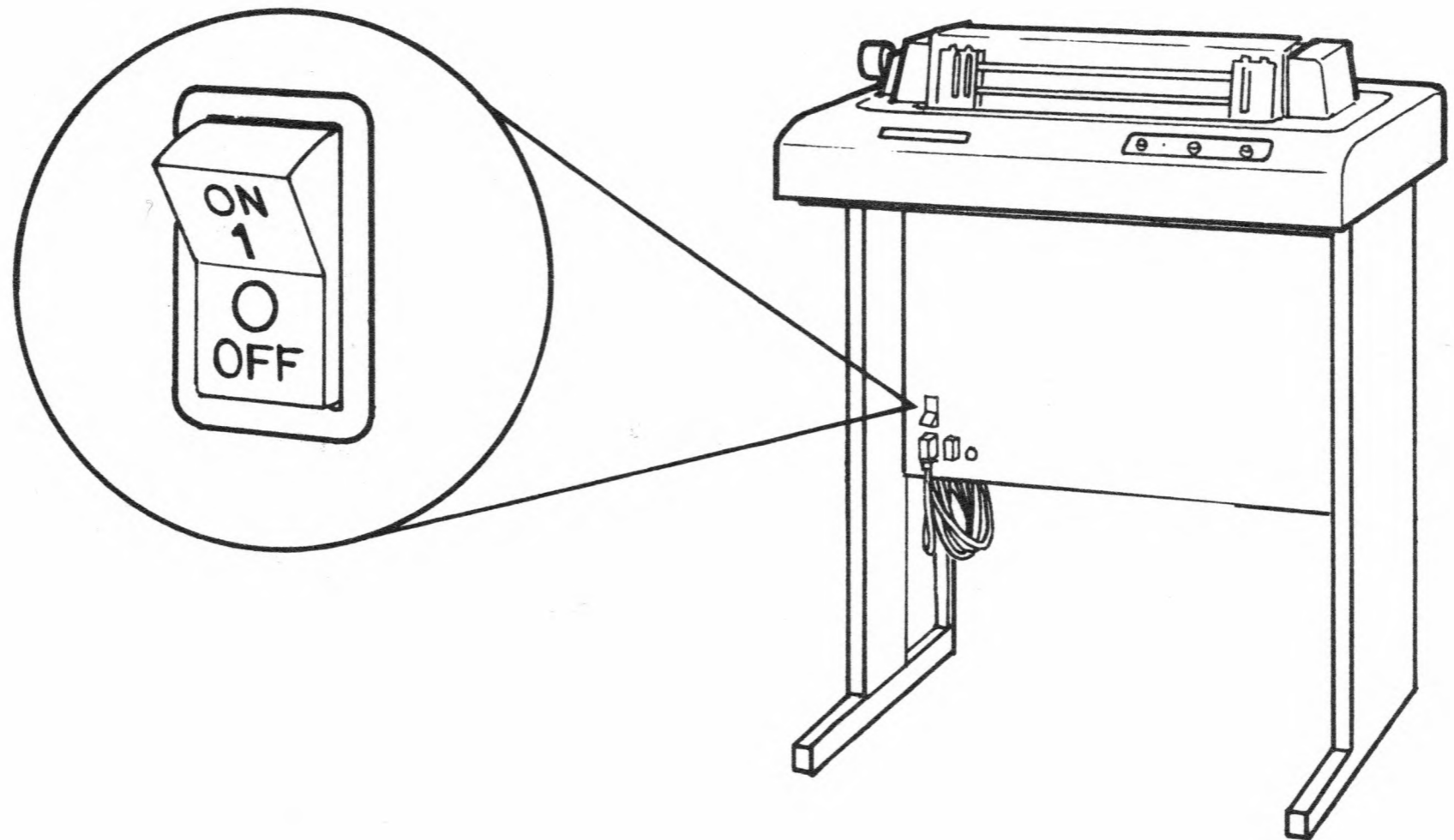


- \* Using adjustable wrench, remove hex-head bolts securing wooden leg brace to the shipping pallet.

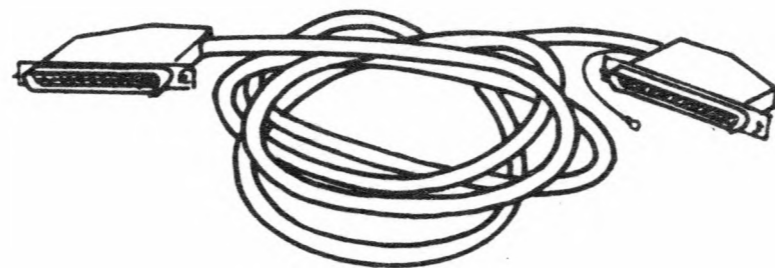
**Caution** The LA120 draft printer weighs 102 lb (46 kilos). At least two people are needed to lift it.

- \* Lift printer off shipping pallet and place it in its permanent location.

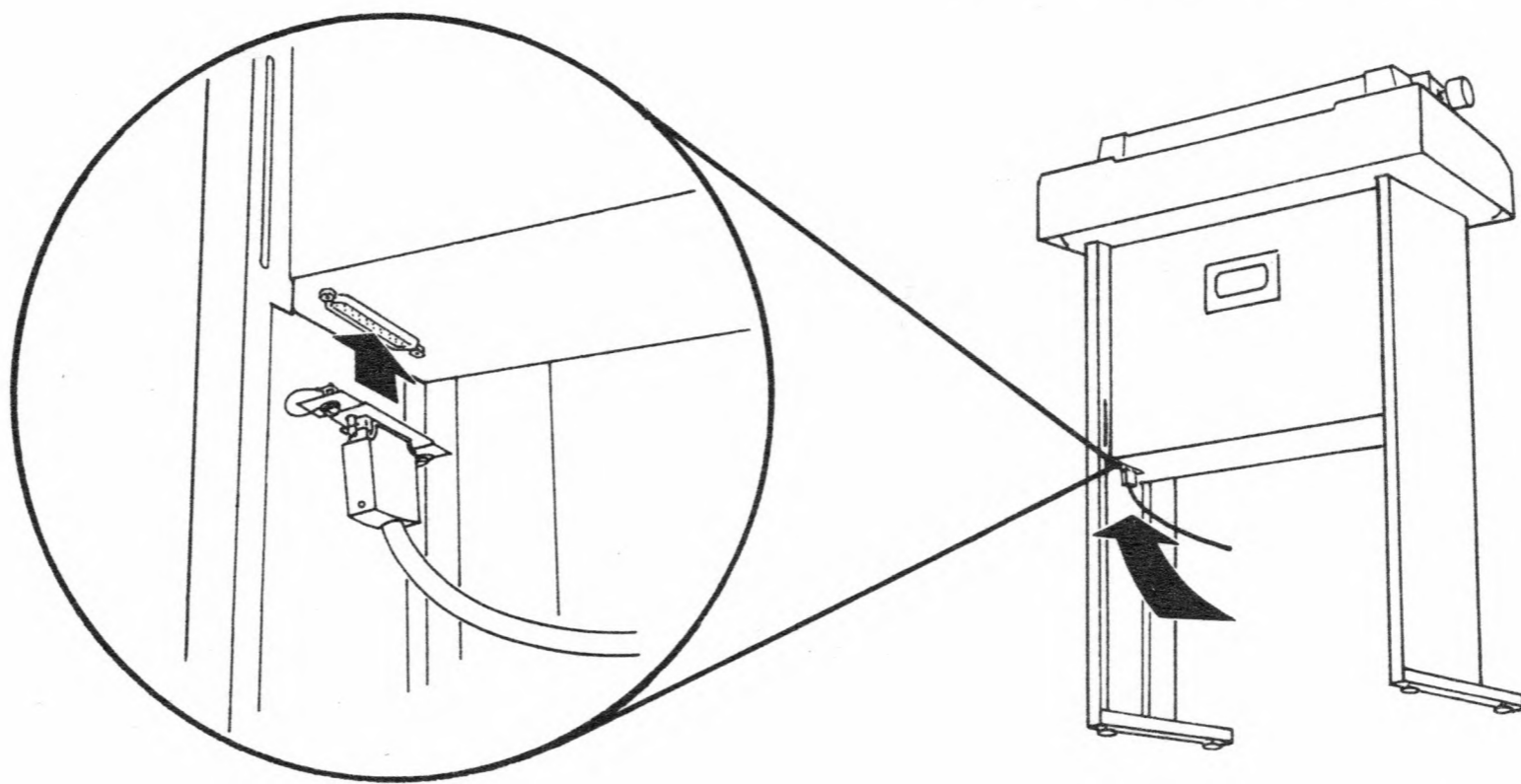




- \* Press printer's power switch OFF.
- \* Locate DECmate printer cable, (gray with black plugs, BC26S-15).



BACK VIEW OF LA120

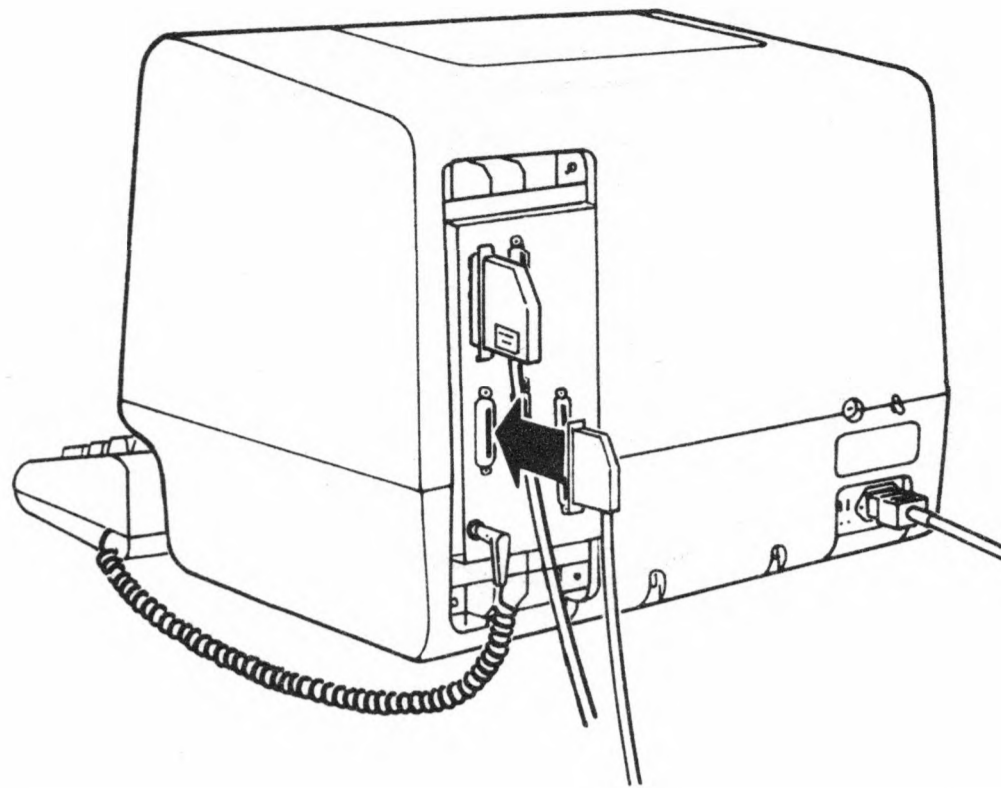


- \* Connect plug marked PRINTER to port located on underside of the LA120's pedestal.

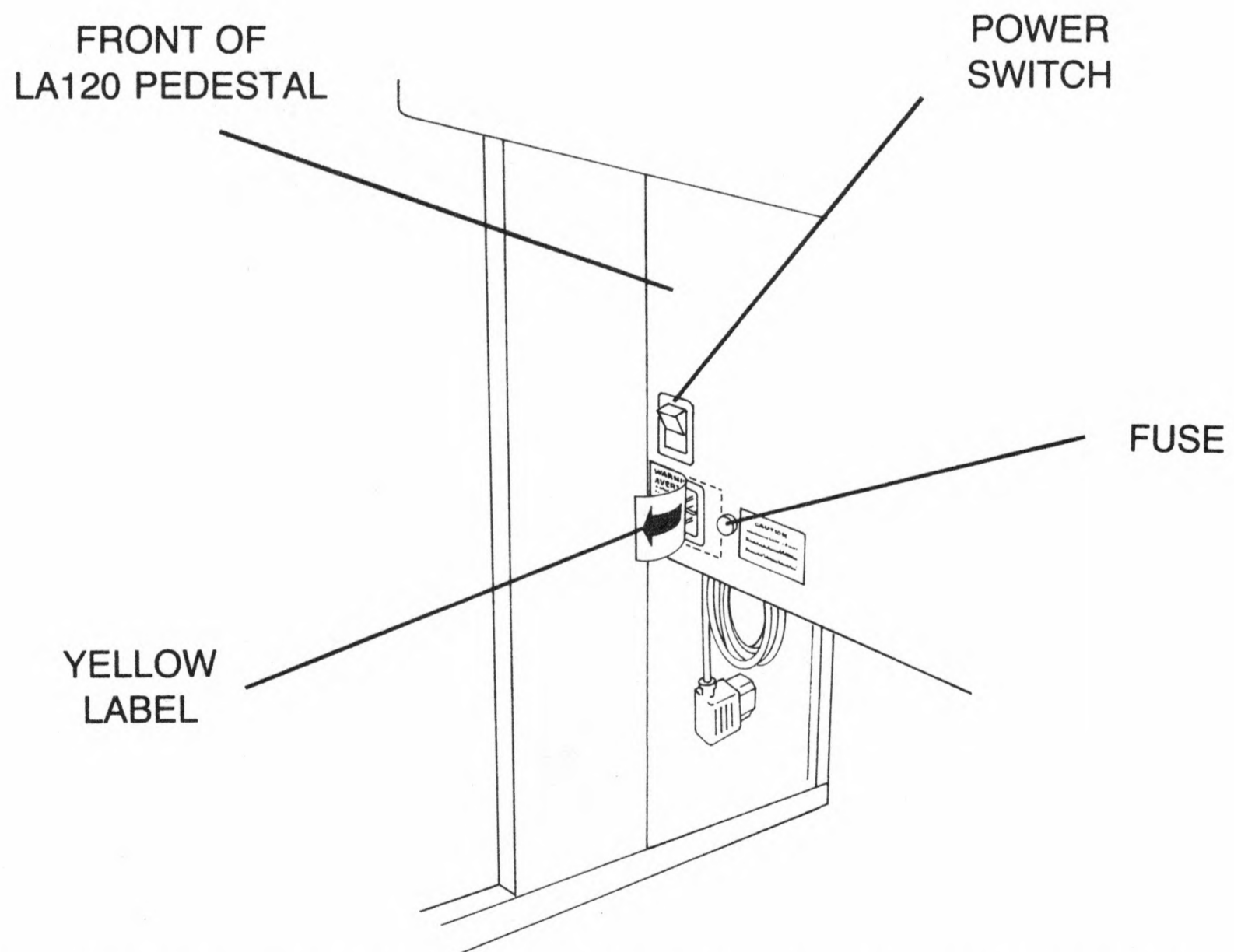
**Note** Be sure to secure grounding wire as shown in illustration.

- \* Tighten screws on connectors.





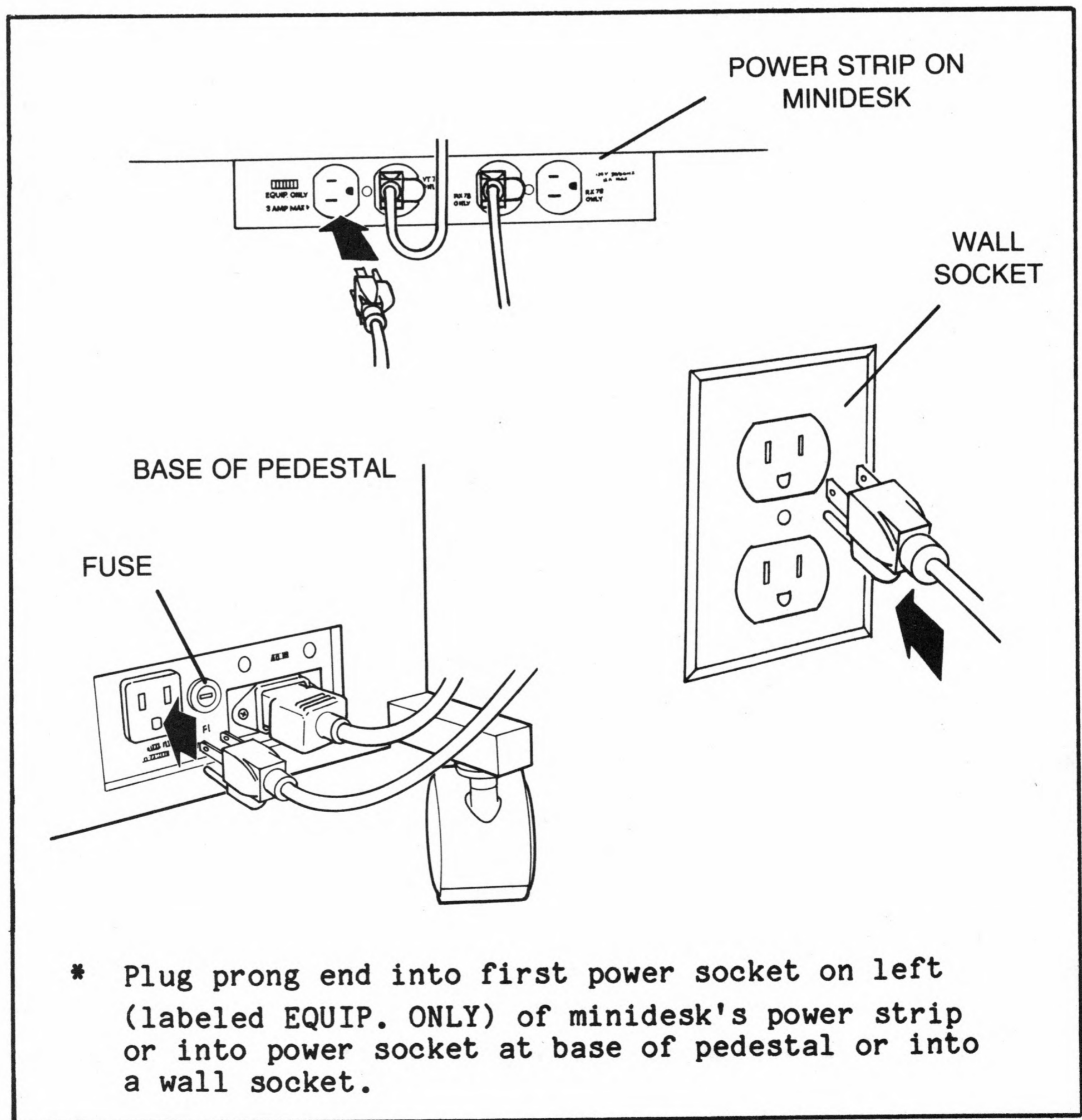
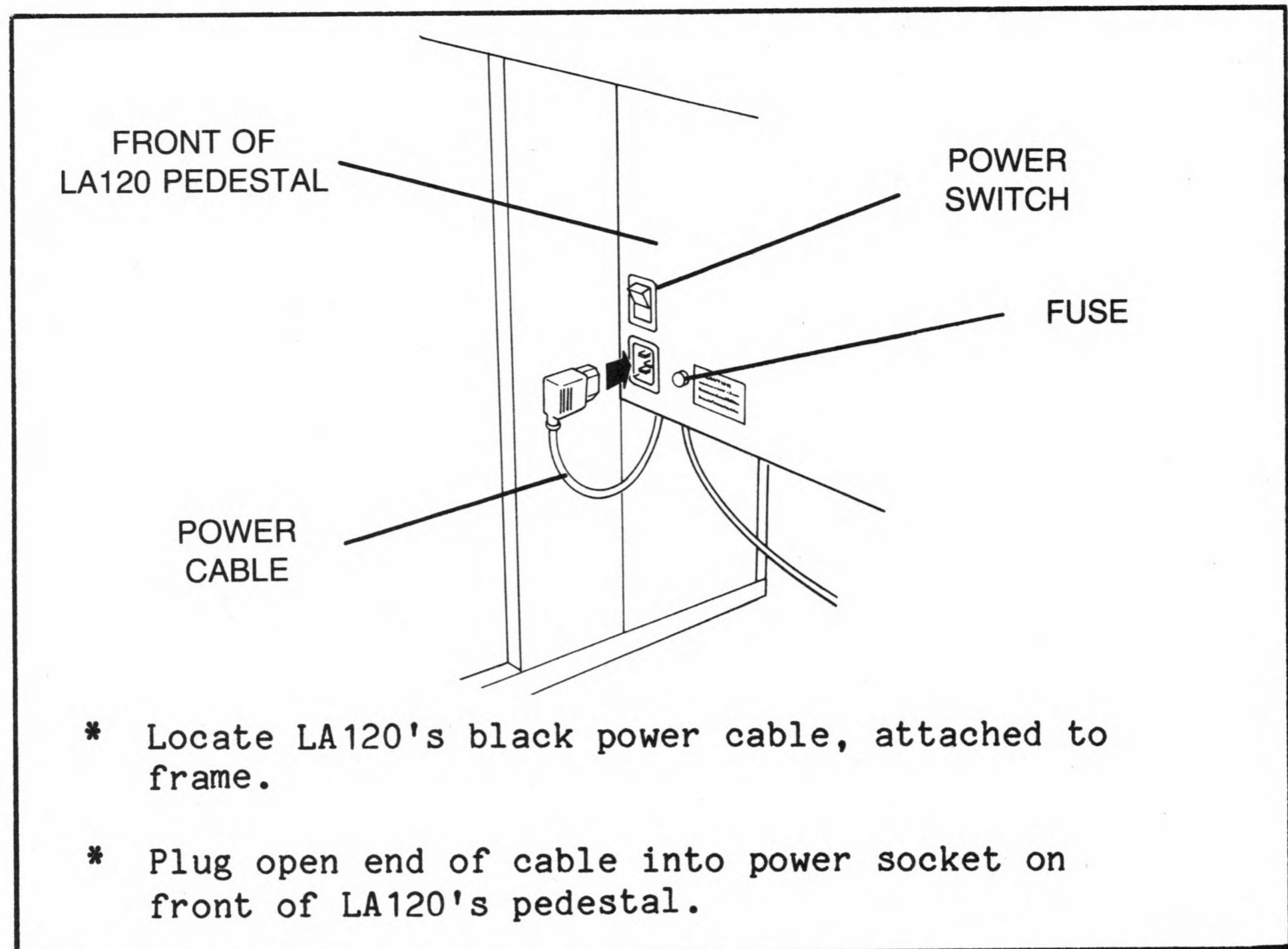
- \* Connect plug marked TERMINAL to port on back of terminal labeled PRINTER. This cable provides communication from the terminal to the printer.
- \* Tighten screws.

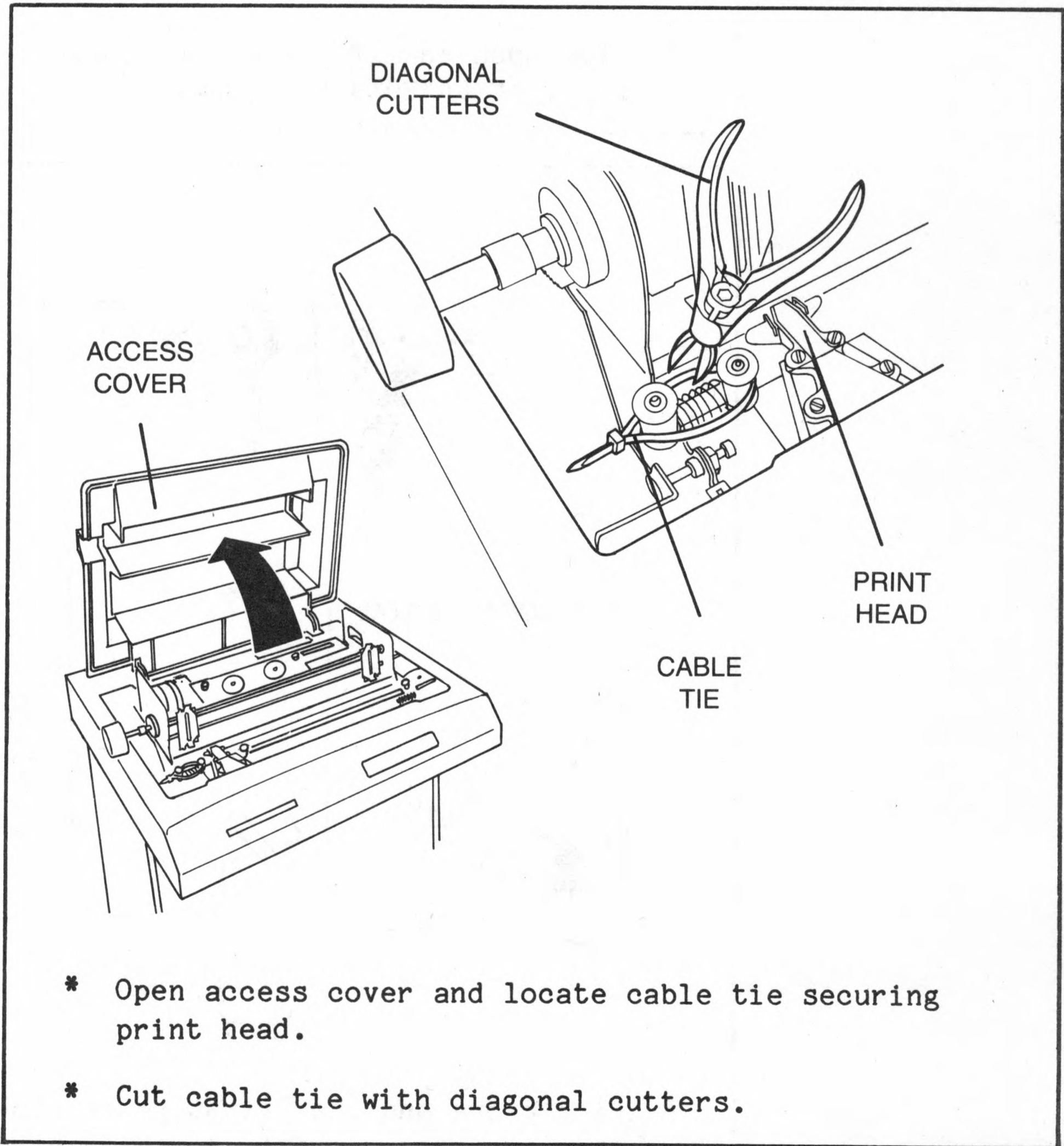
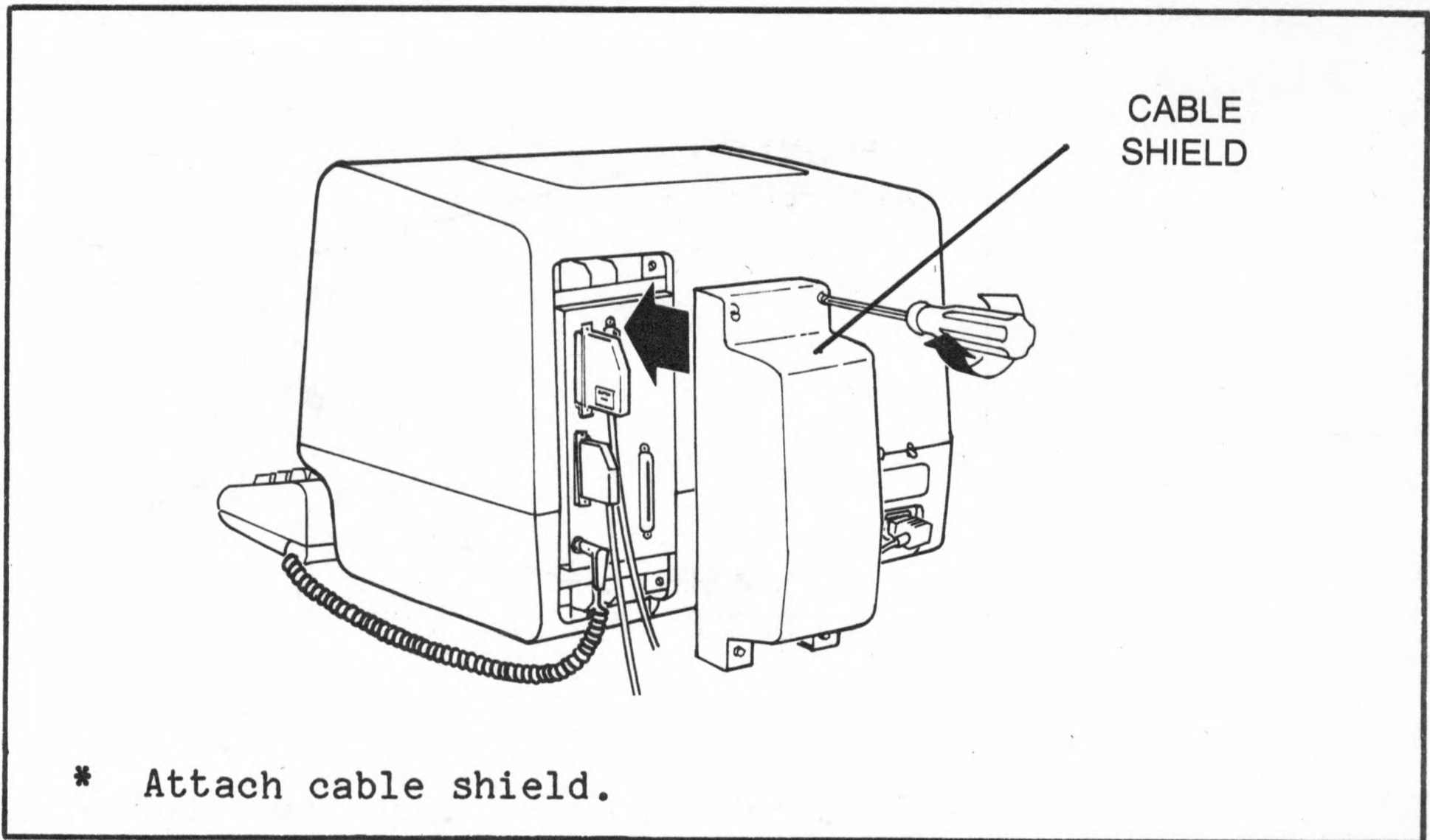


- \* Remove yellow label covering the power socket located on front of LA120's pedestal.

**Caution**

In North America, the voltage on the yellow label must be from 110 to 120. In Europe, the voltage on the yellow label must be from 220 to 240. If the voltage on the yellow label is not correct, do not continue with these instructions. Instead call your DECmate Sales Representative.





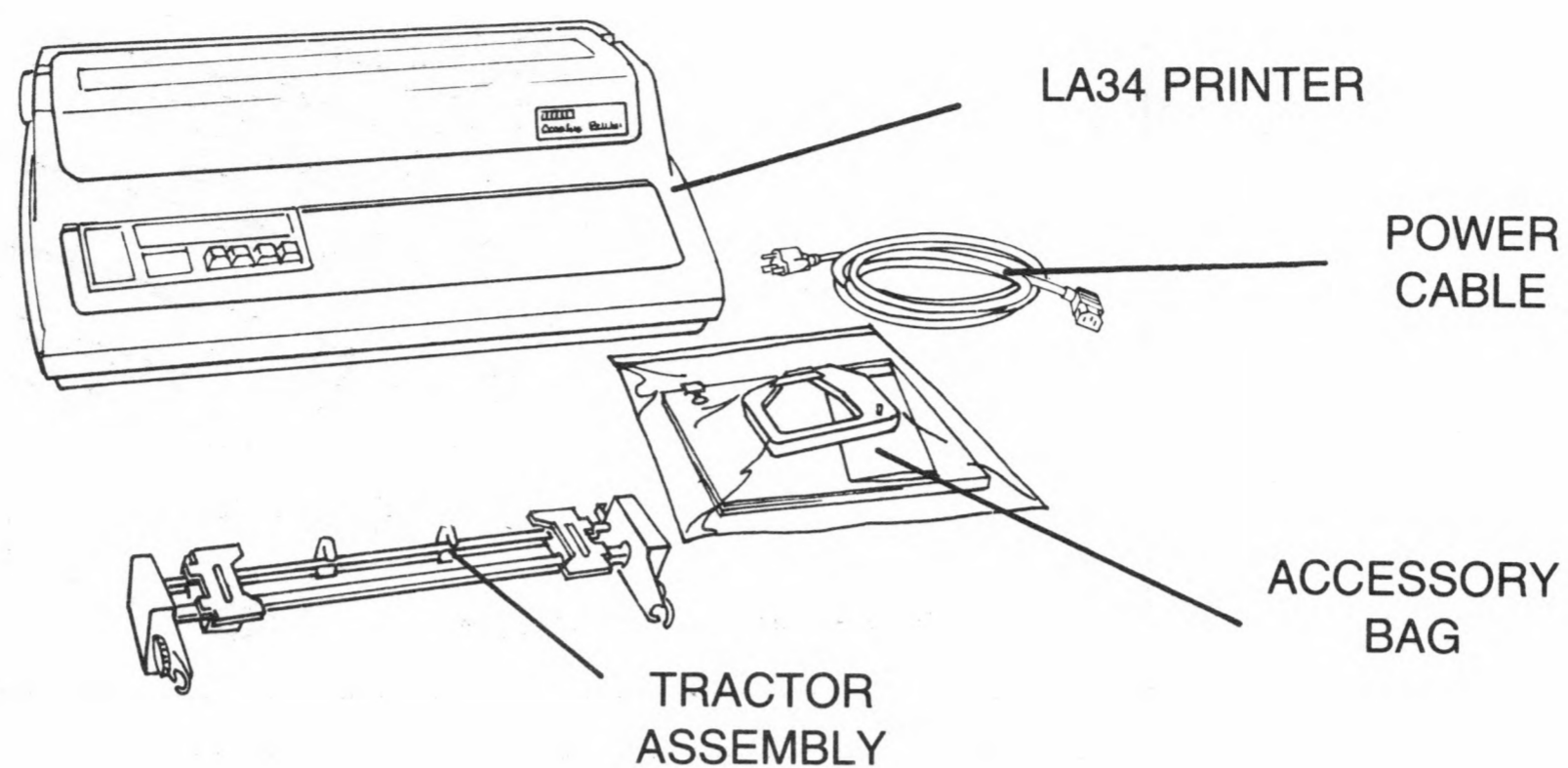
\*\*\*\*\*

Refer to Chapter 4 for instructions in loading paper and ribbon.

\*\*\*\*\*

## DECwriter IV (LA34) Printer

**Caution** The LA34 weighs approximately 22 lbs (10 kilos). You may need two people to lift it.



- \* Unpack LA34's shipping carton.
- \* Inspect LA34 for shipping damage.

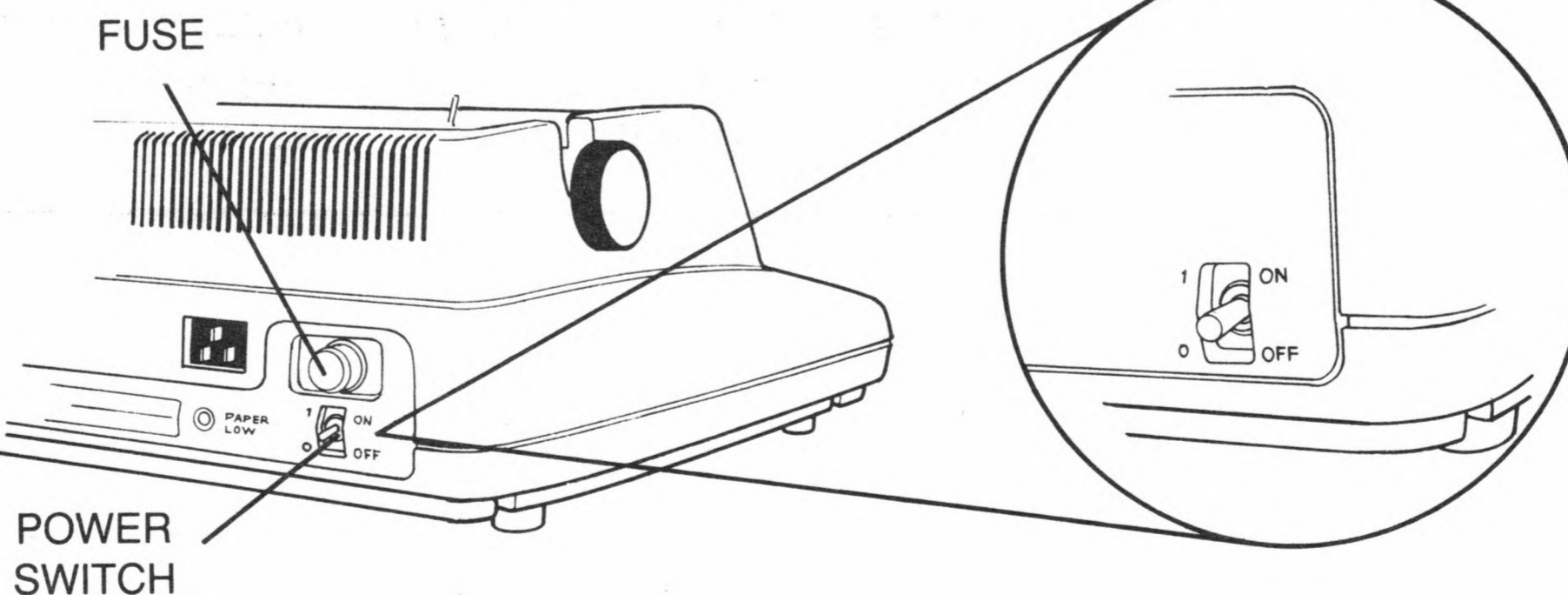
**Note** The printer stand option (LAX34-SL) is recommended by DIGITAL.

If you purchased the printer stand, unpack and inspect it.

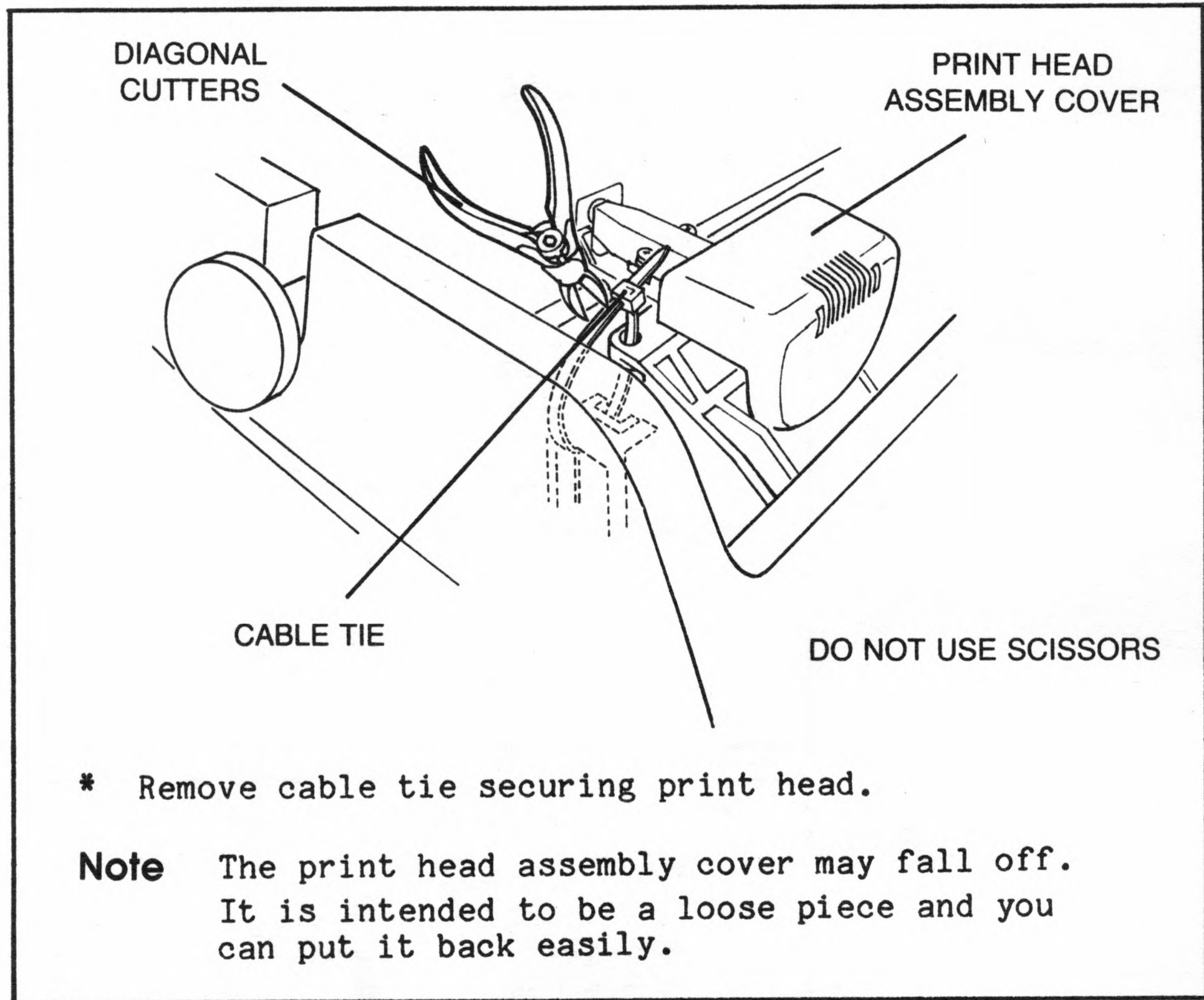
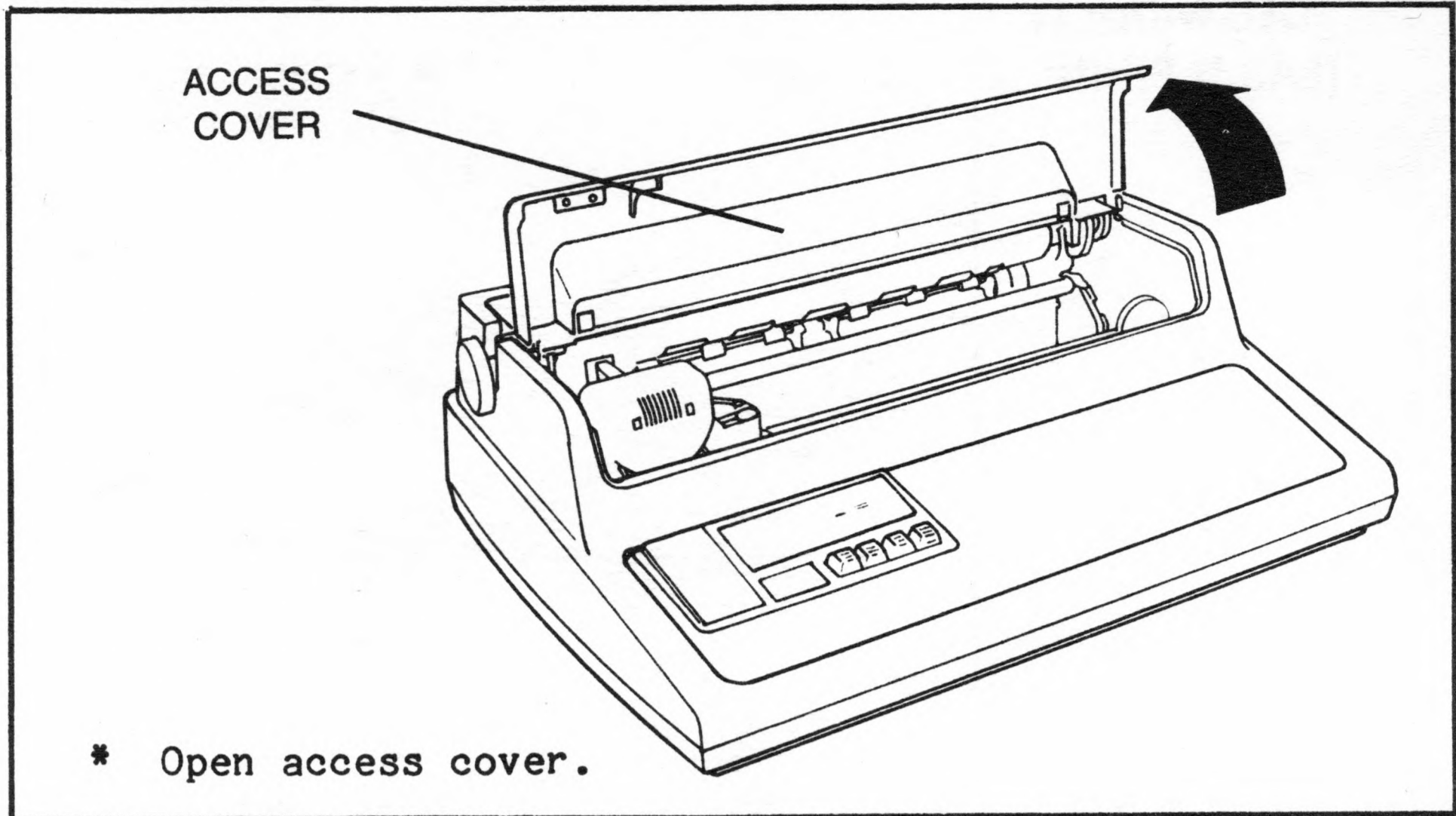
If you did not purchase the printer stand, place the LA34 on any convenient desk or table top.

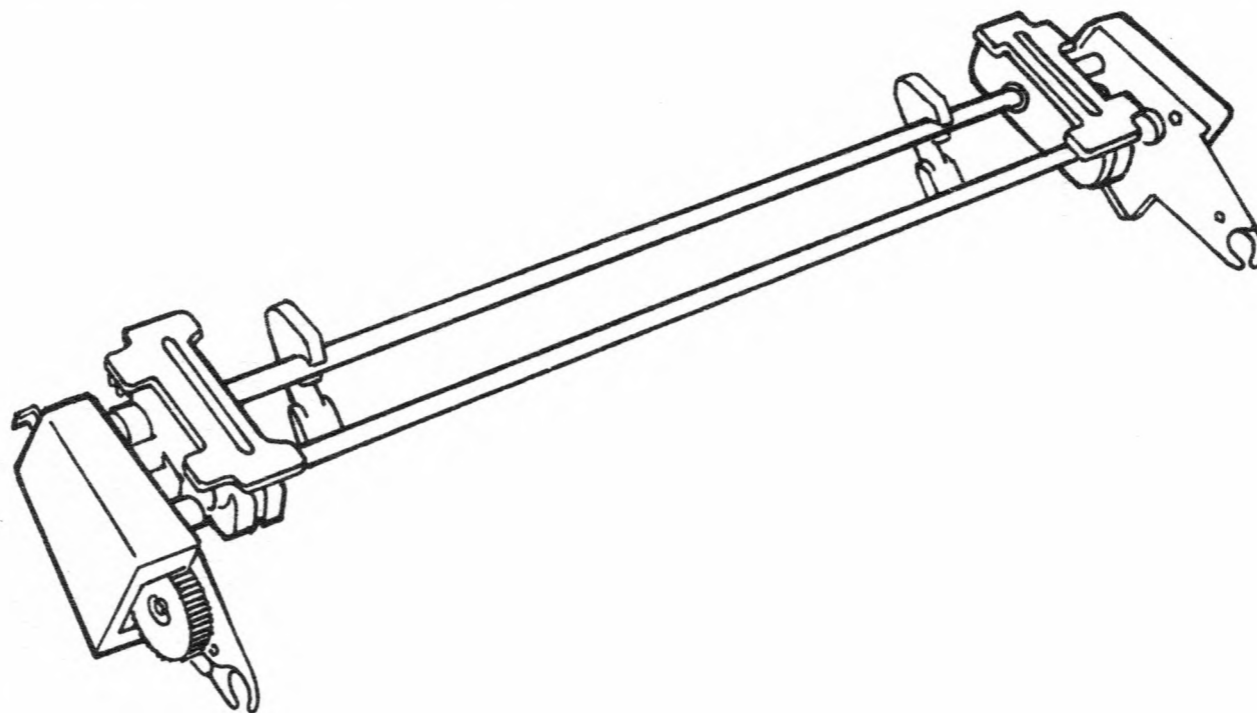
- \* Place printer in its permanent location (on printer stand, desk, or table top).

### BACK VIEW OF LA34



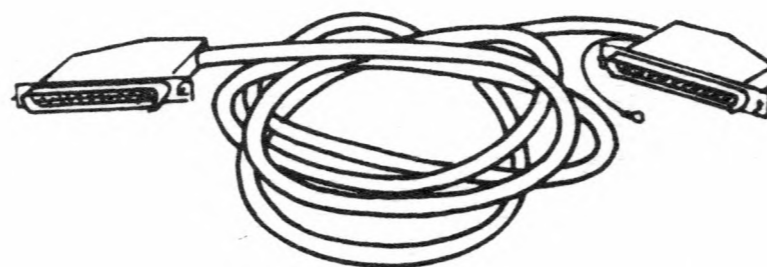
- \* Press printer's power switch to 0 (off) position.





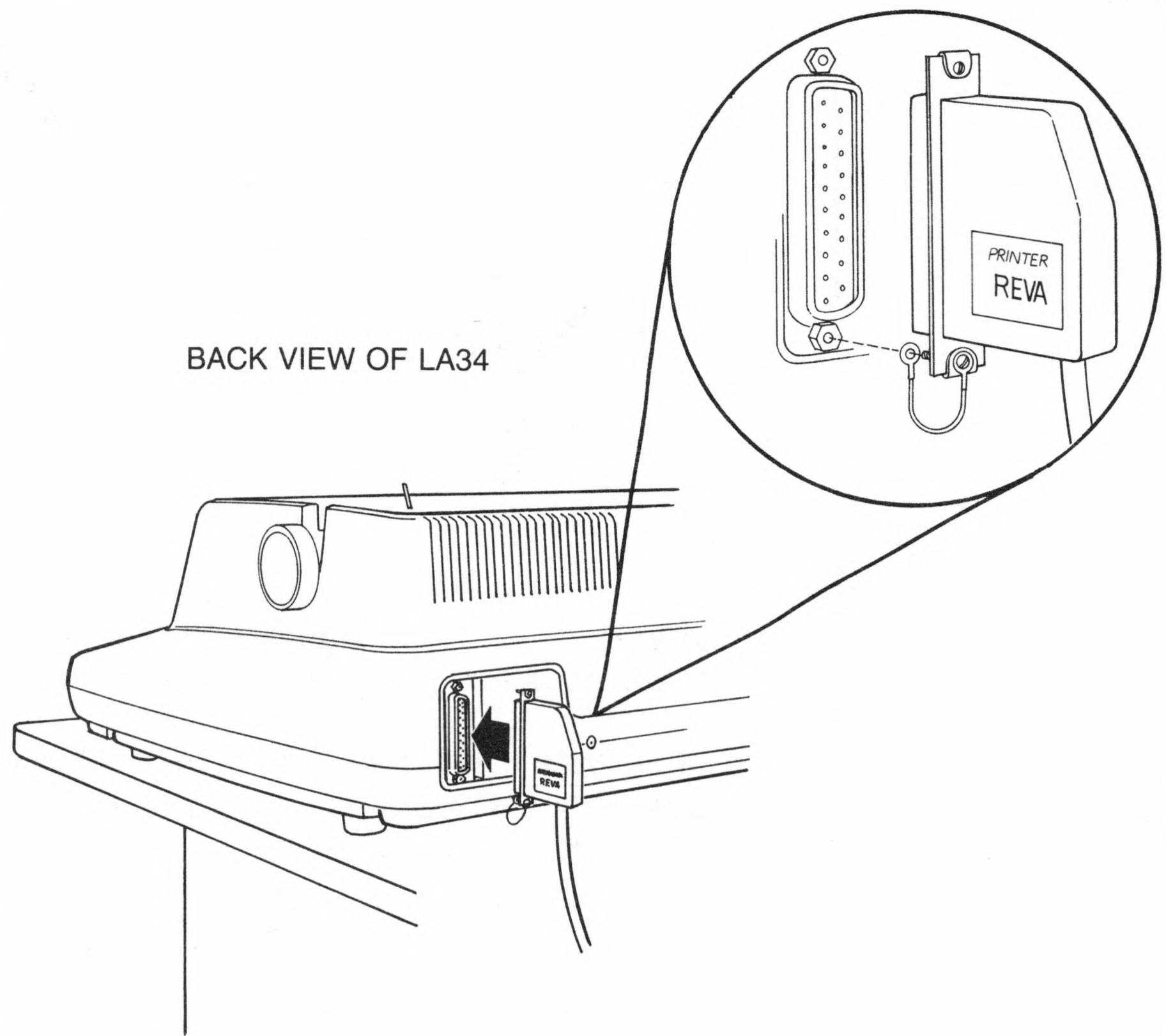
- \* Attach tractor assembly according to the instructions on pages 3 and 4 in the small booklet sent with the tractor.

When you have completed installing the tractor assembly, return to this manual and continue with the following instructions.



- \* Locate DECmate printer cable (gray with black plugs).

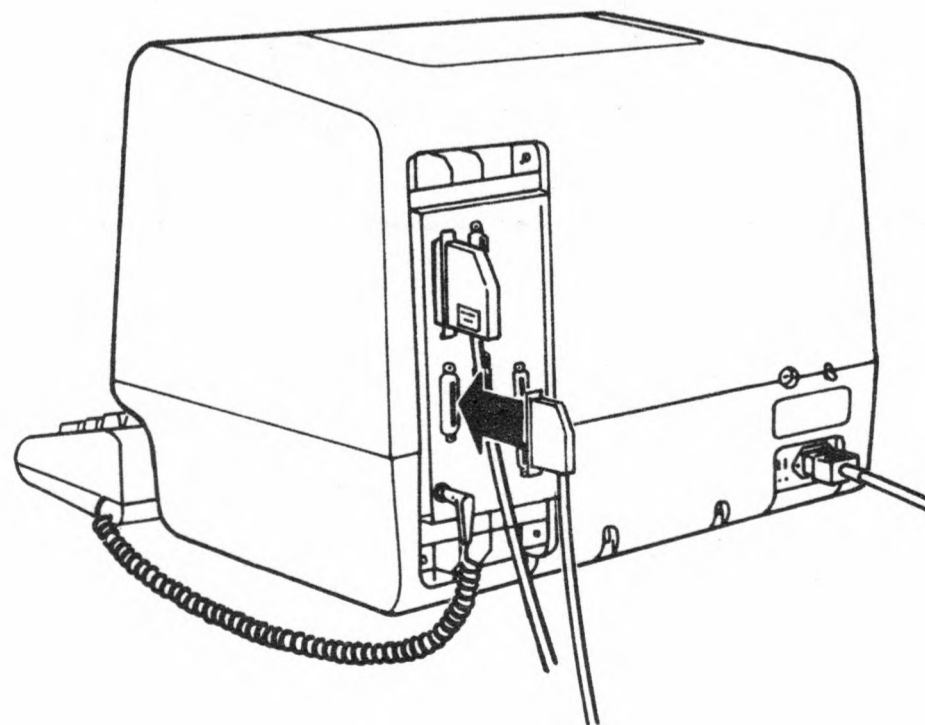
**Note** Use the printer cable provided with your DECmate, numbered BC26S-15 (gray with black plugs). Do not use the cable BC22A-25 sent with your LA34.



- \* Connect plug marked PRINTER to port on back of LA34.

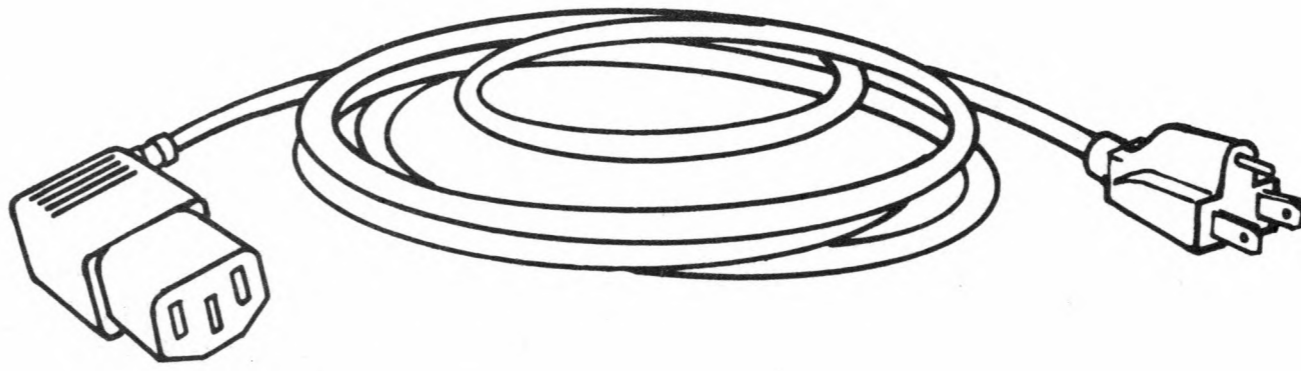
**Note** Be sure to secure grounding wire as shown in illustration.

- \* Tighten screws.

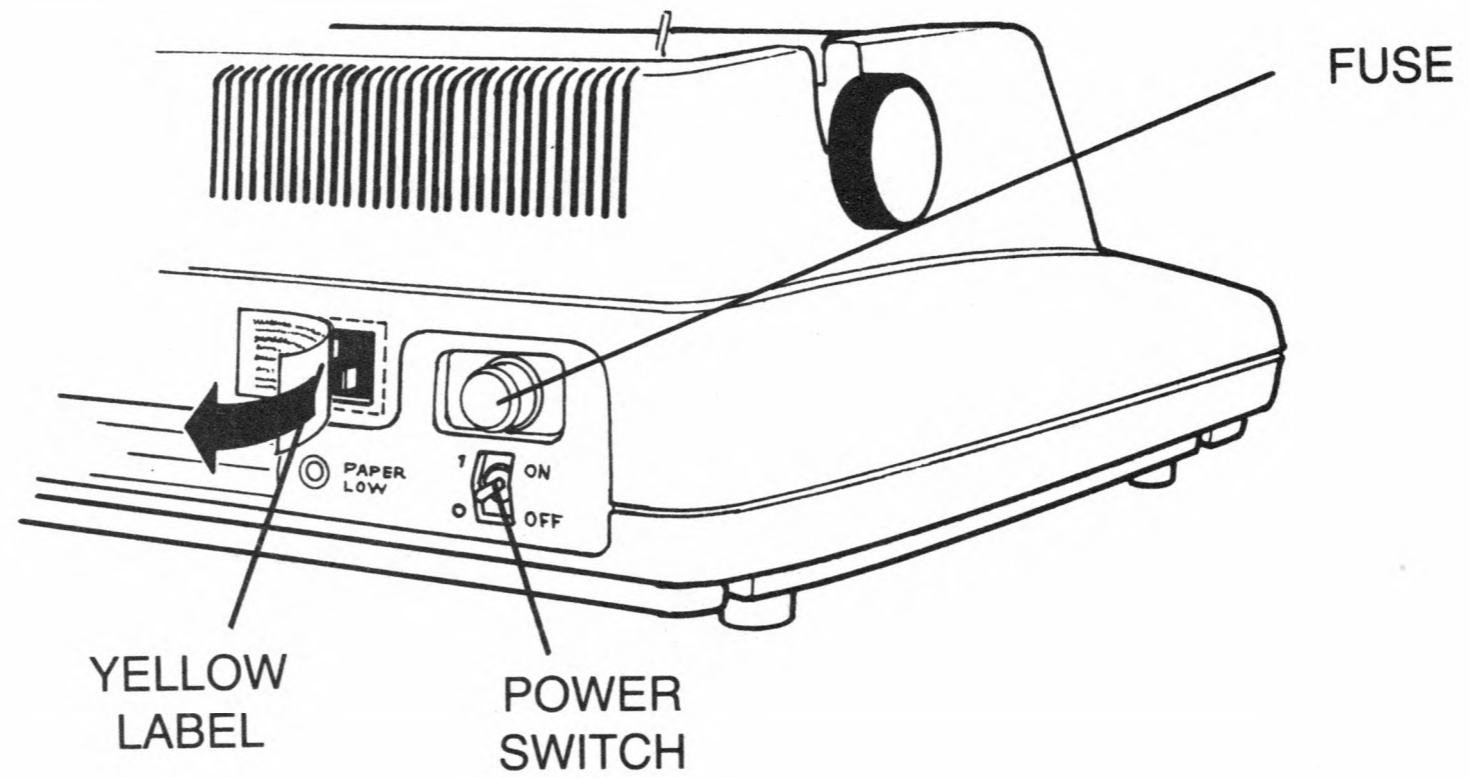


- \* Connect plug marked TERMINAL to port labeled PRINTER on back of terminal. This cable provides communication from the terminal to the printer.

- \* Tighten screws on connectors.



\* Locate LA34's black power cable.

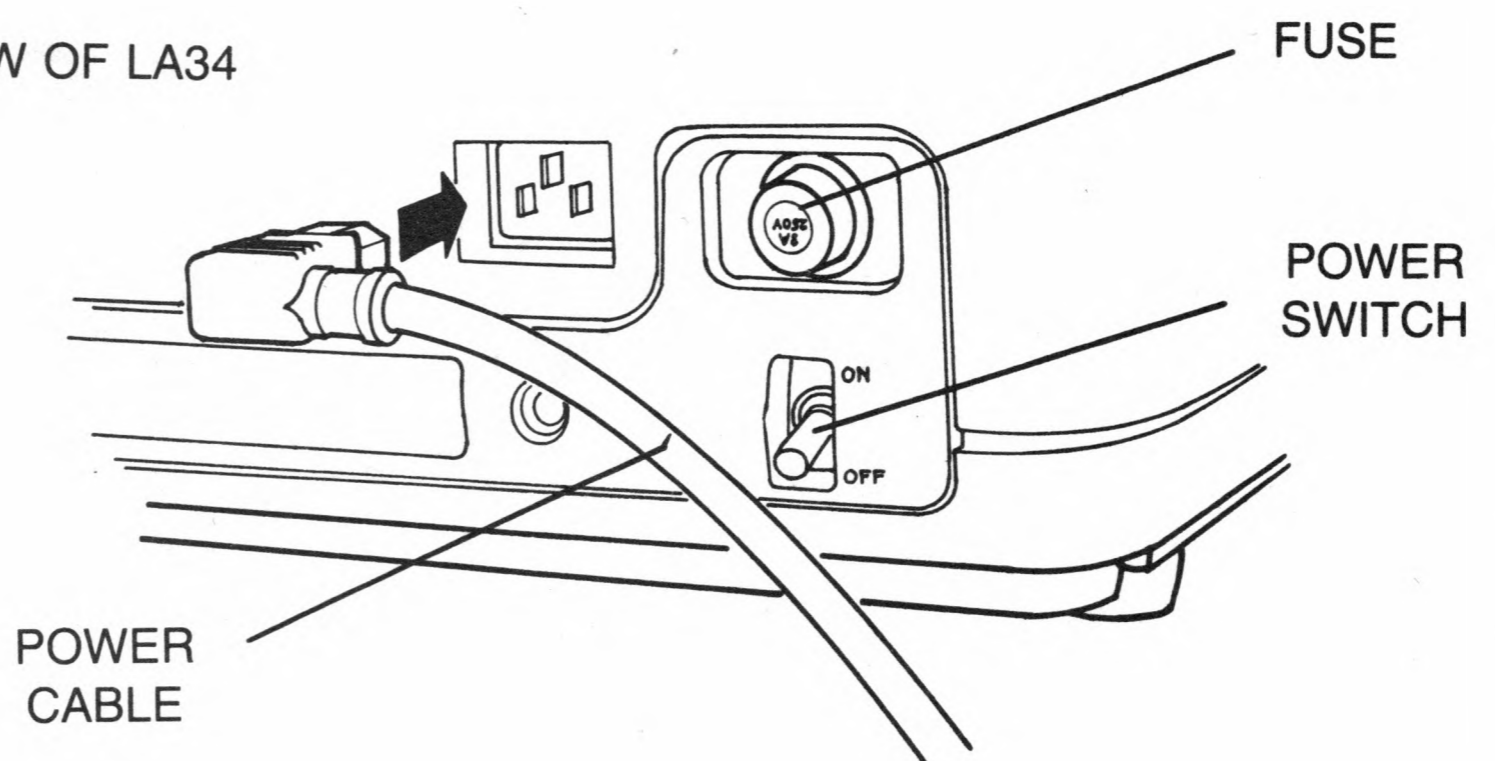


\* Remove yellow label covering the power socket on back of LA34.

**Caution**

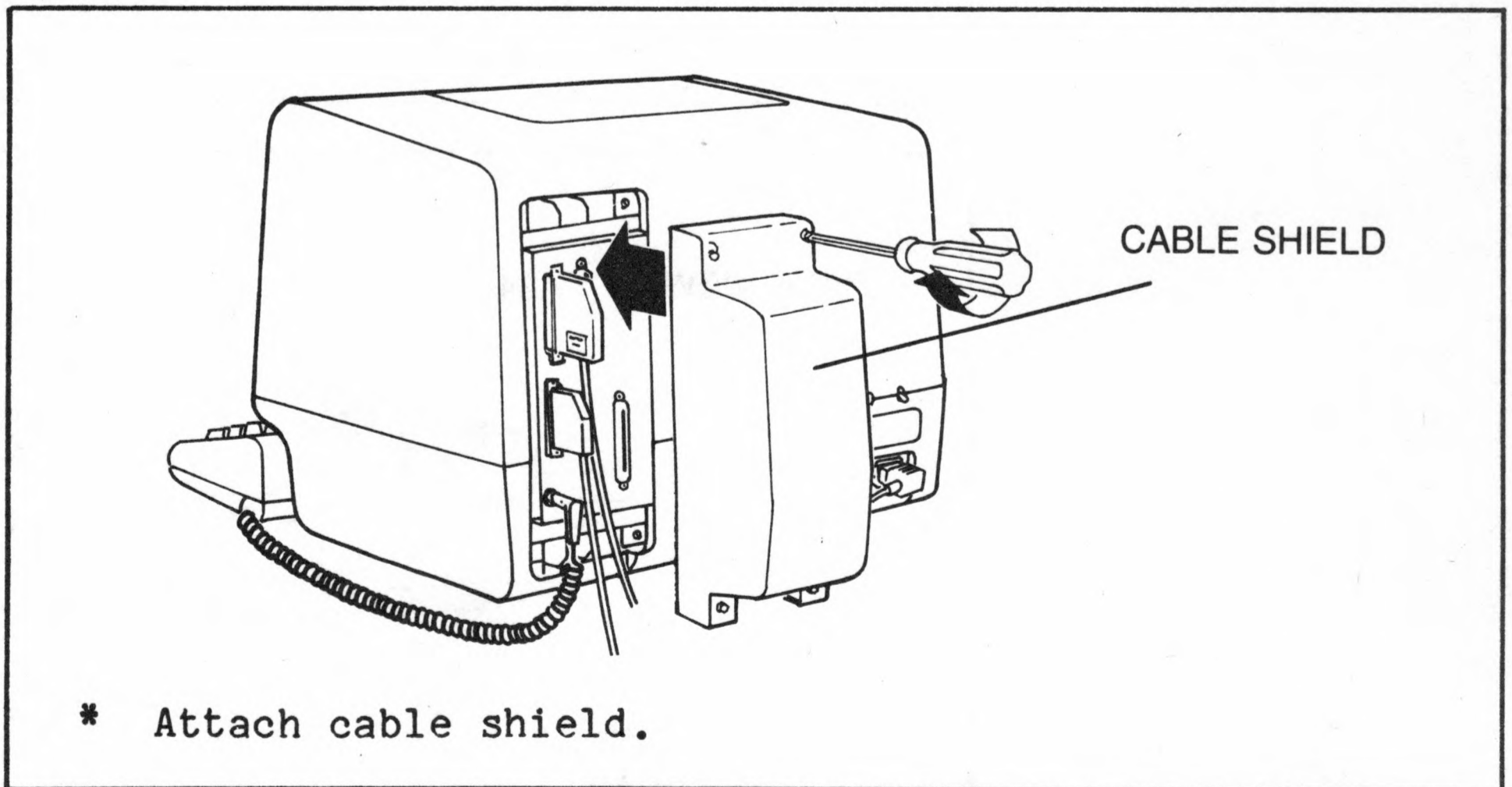
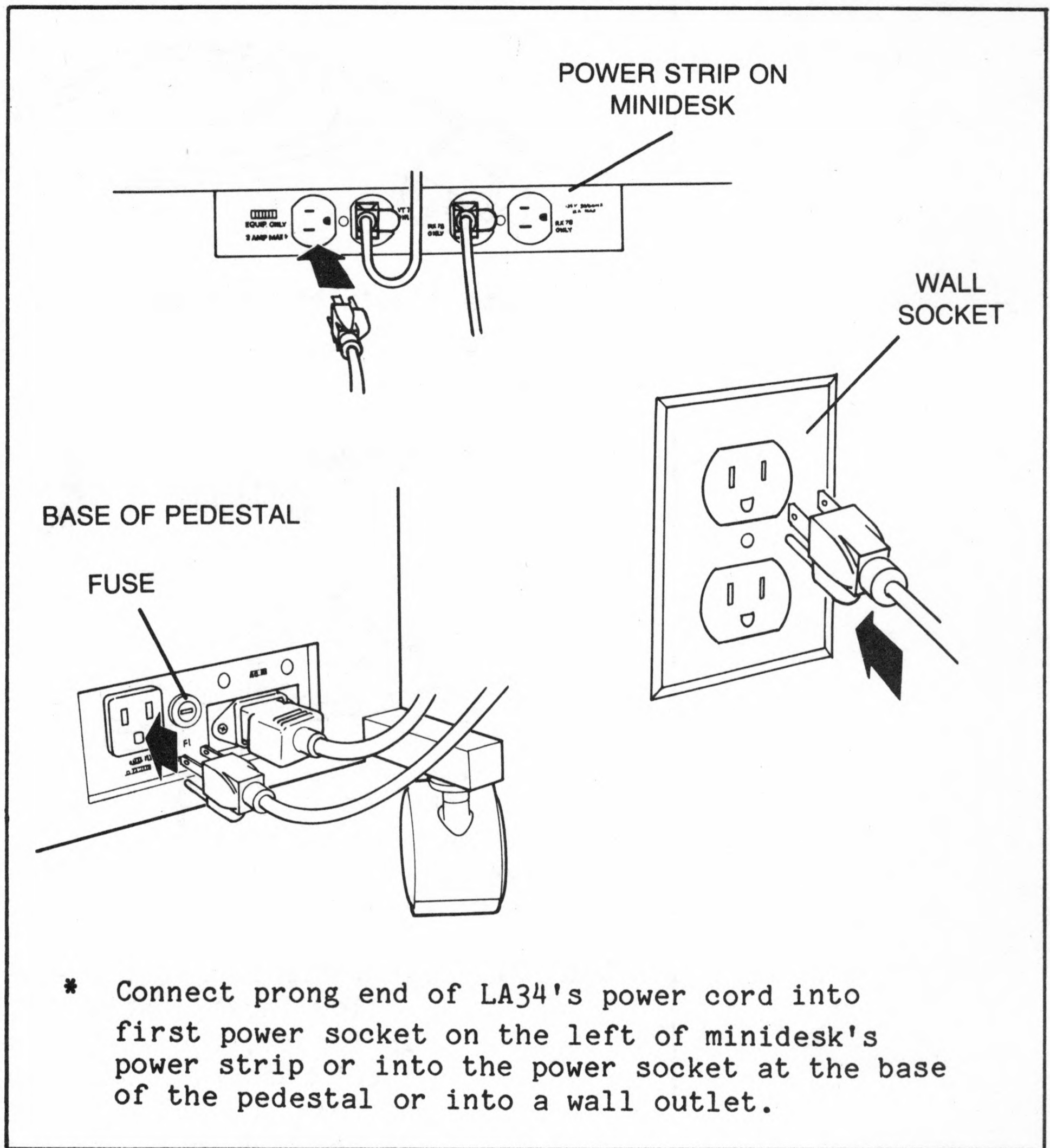
In North America, the voltage on the yellow label must be from 110 to 120. In Europe, the voltage on the yellow label must be from 220 to 240. If the voltage on the yellow label is not correct, do not continue with these instructions. Instead call your DECmate Sales Representative.

BACK VIEW OF LA34



\* Connect open end of black power cable to power socket.



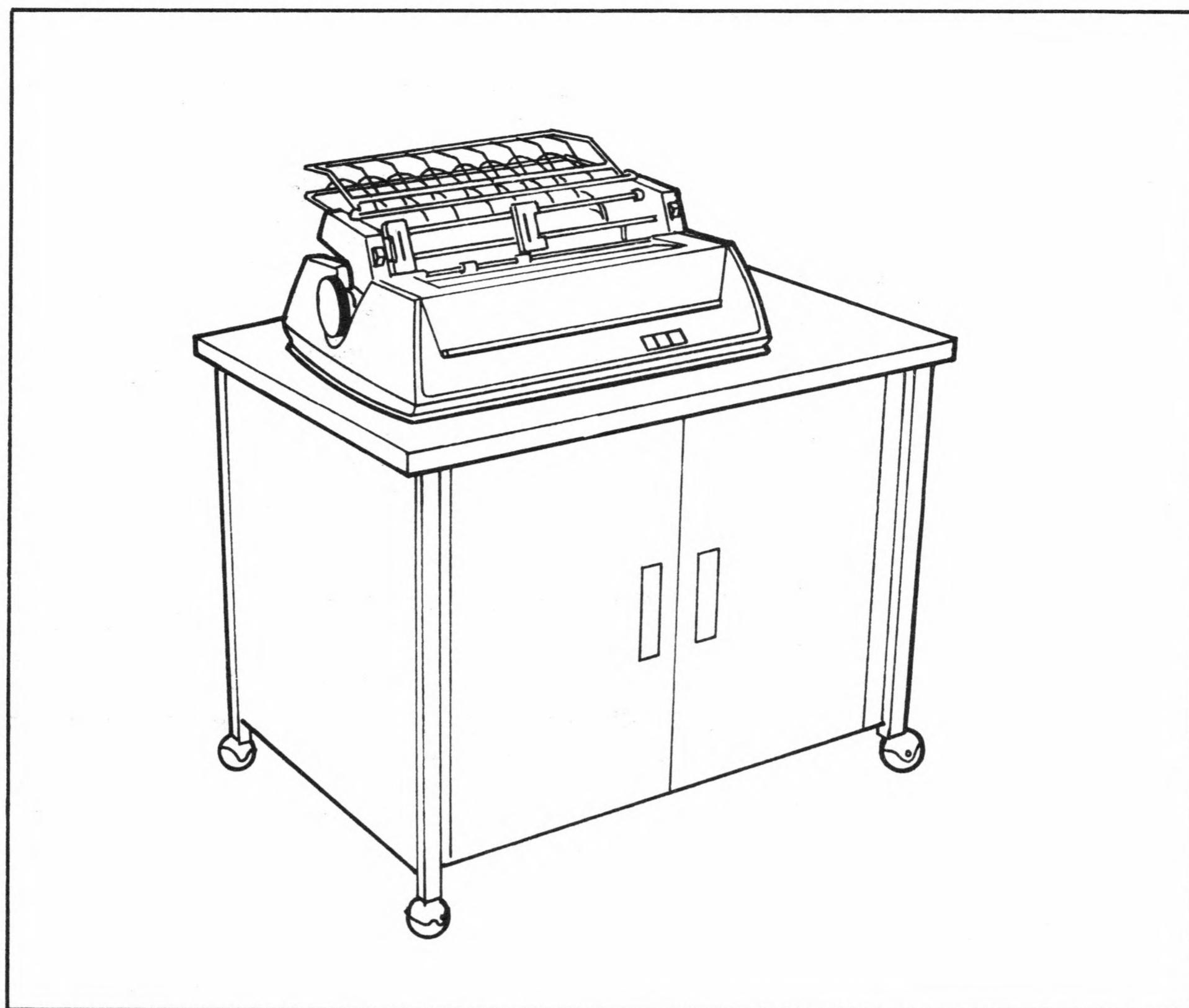


\*\*\*\*\*

Refer to Chapter 4 for instructions in loading paper and ribbon.

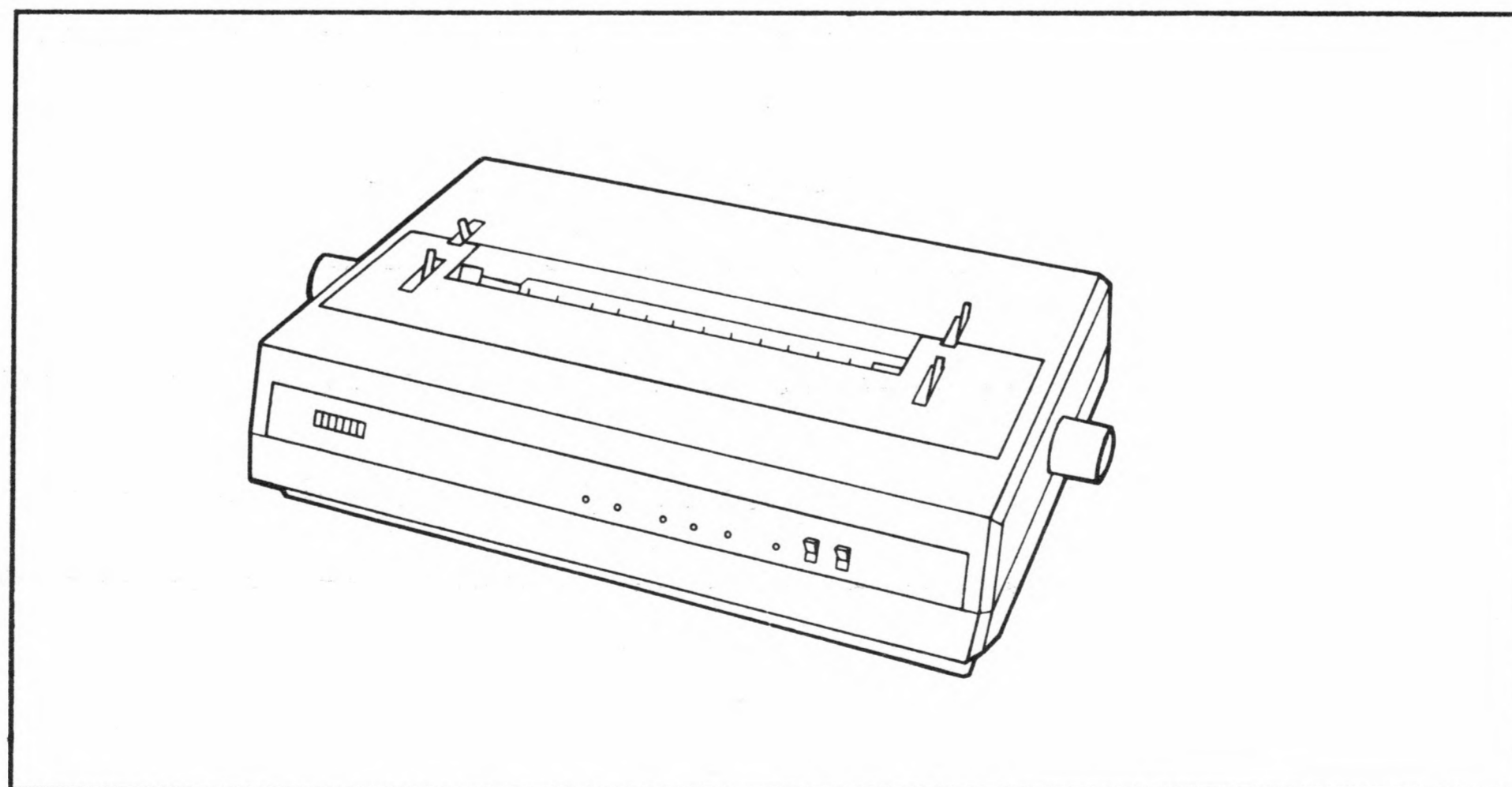
\*\*\*\*\*

**Letter Quality  
Printer (LQP)**

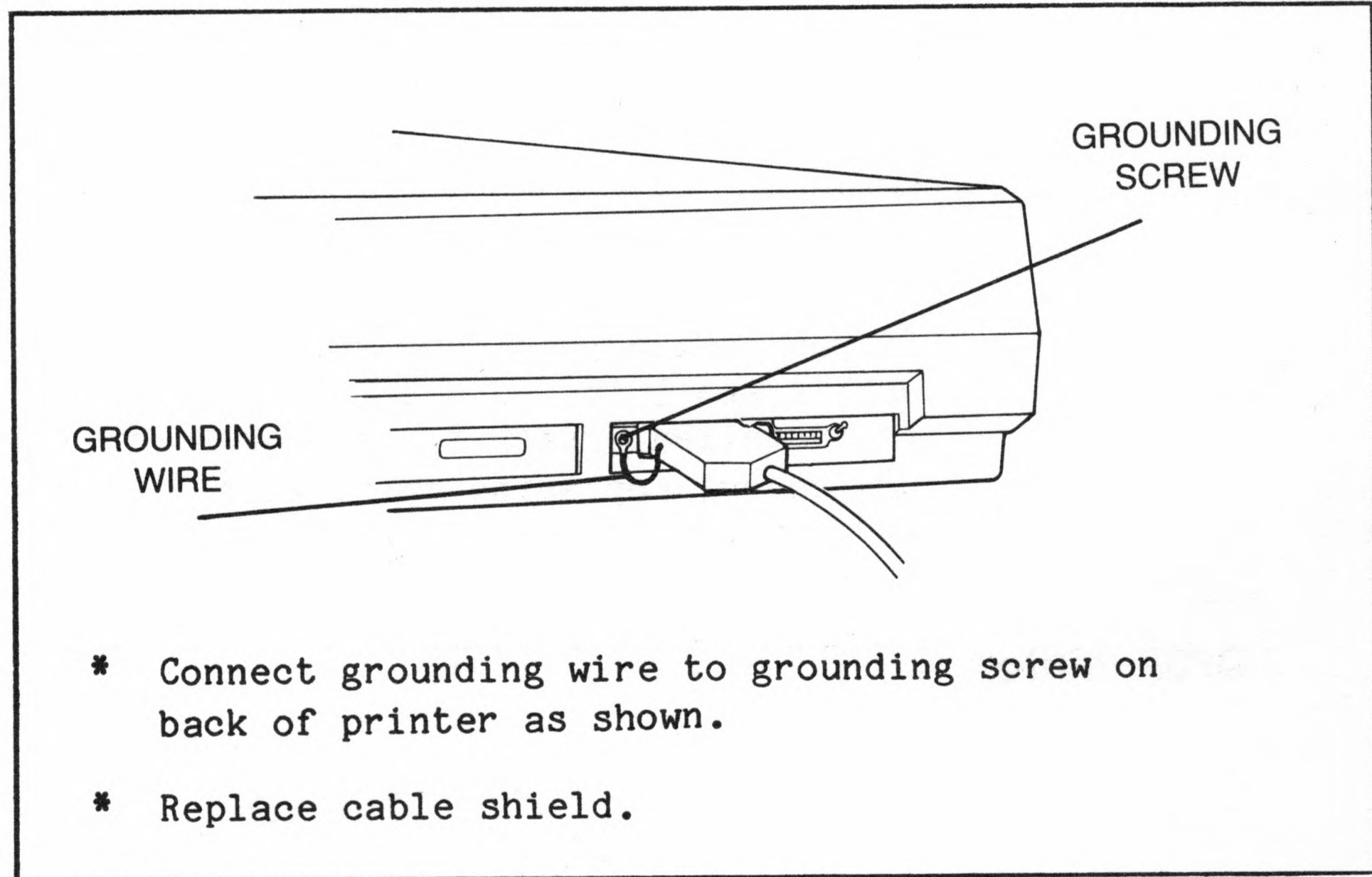
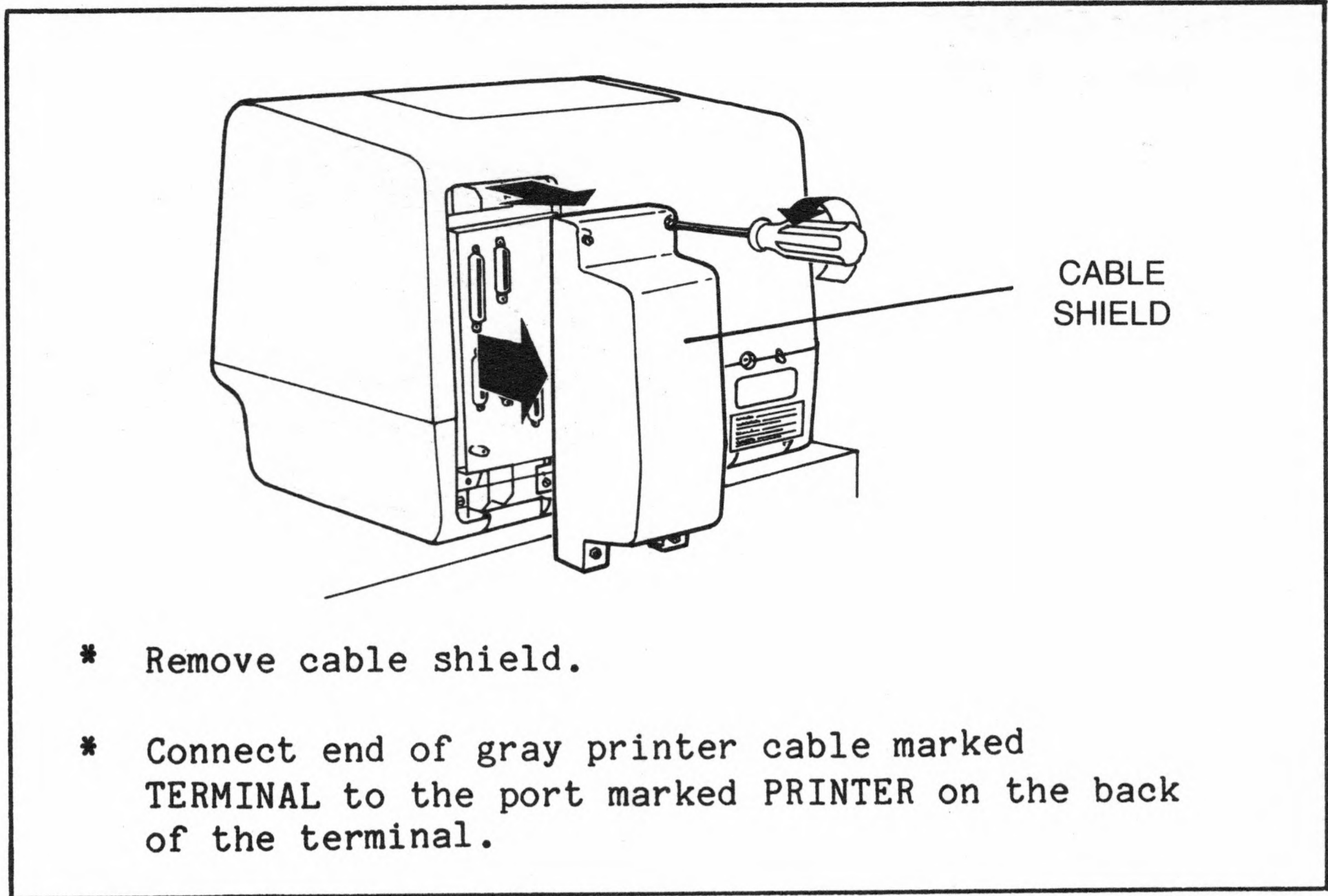


If you purchased an LQP, Digital's field service personnel will install it. Do not open the LQP carton. After your LQP is installed, refer to Chapter 4 for instructions in removing the cover, replacing print wheels, replacing ribbons, and loading paper.

**LQP02 Printer**



If you purchased an LQP02 printer, refer to the installation guide provided with your printer for assembly instructions. Then return to this page.



\*\*\*\*\*

Refer to Chapter 5 for DECmate operation instructions.

\*\*\*\*\*

**LA100** If you have purchased an LA100, refer to the installation guide provided for instructions on how to install it with your DECmate. You must use the printer cable provided with your DECmate, BC26S-15.

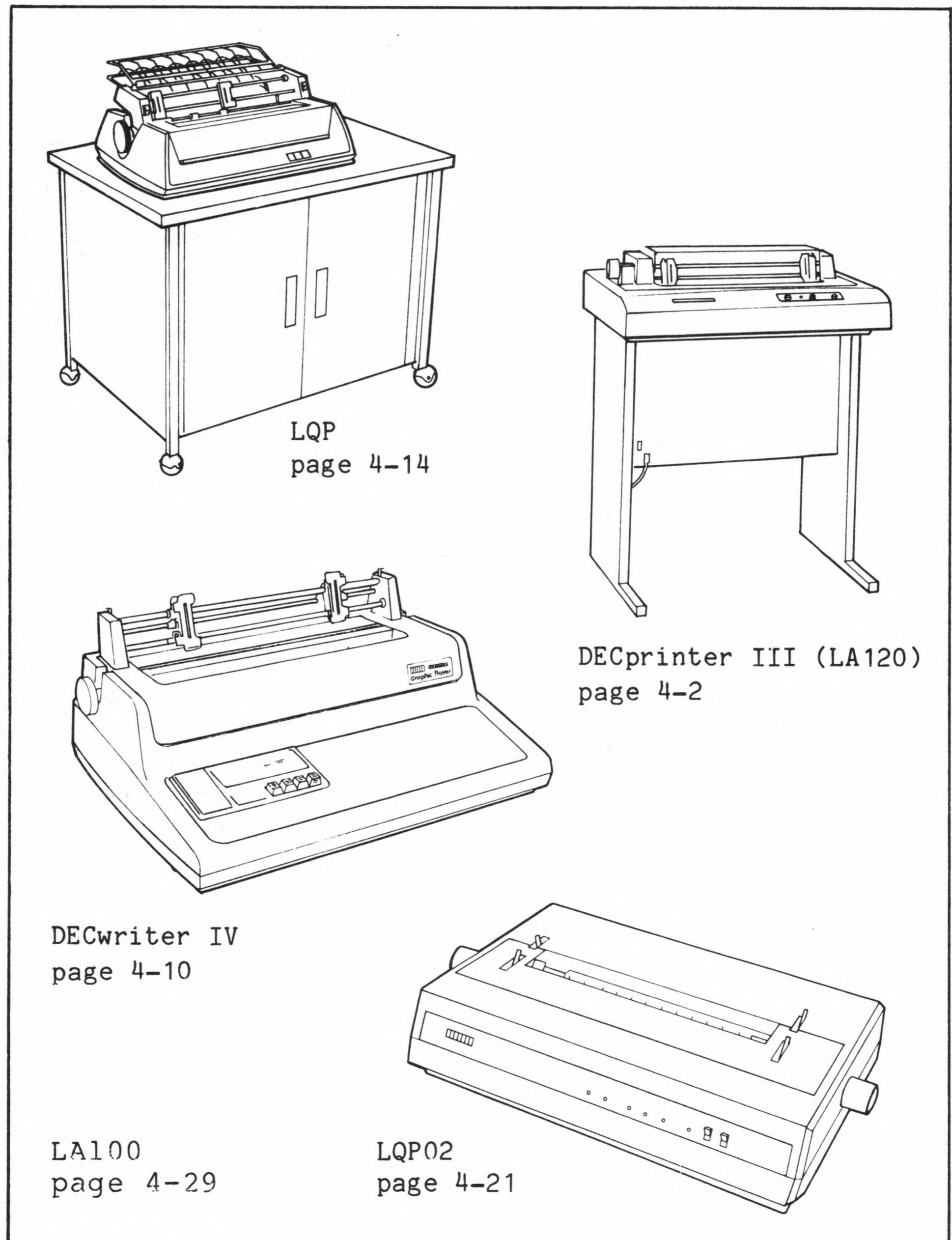
If after installing your LA100, you find the operation faulty, check that the baud rate, parity bit, and number of data bits is set to 9600, Mark, and 7 respectively. Refer to the LA100 installation guide for instructions in changing these settings.

## Chapter 4 Install Printer Accessories & Supplies

There are several types of printers that may be successfully used with the DECmate system.

This chapter deals with their use - explaining how to load paper, insert printwheels, and change ribbons.

For installation of these printers with your DECmate, refer to the Chapter 3 Install your printer.

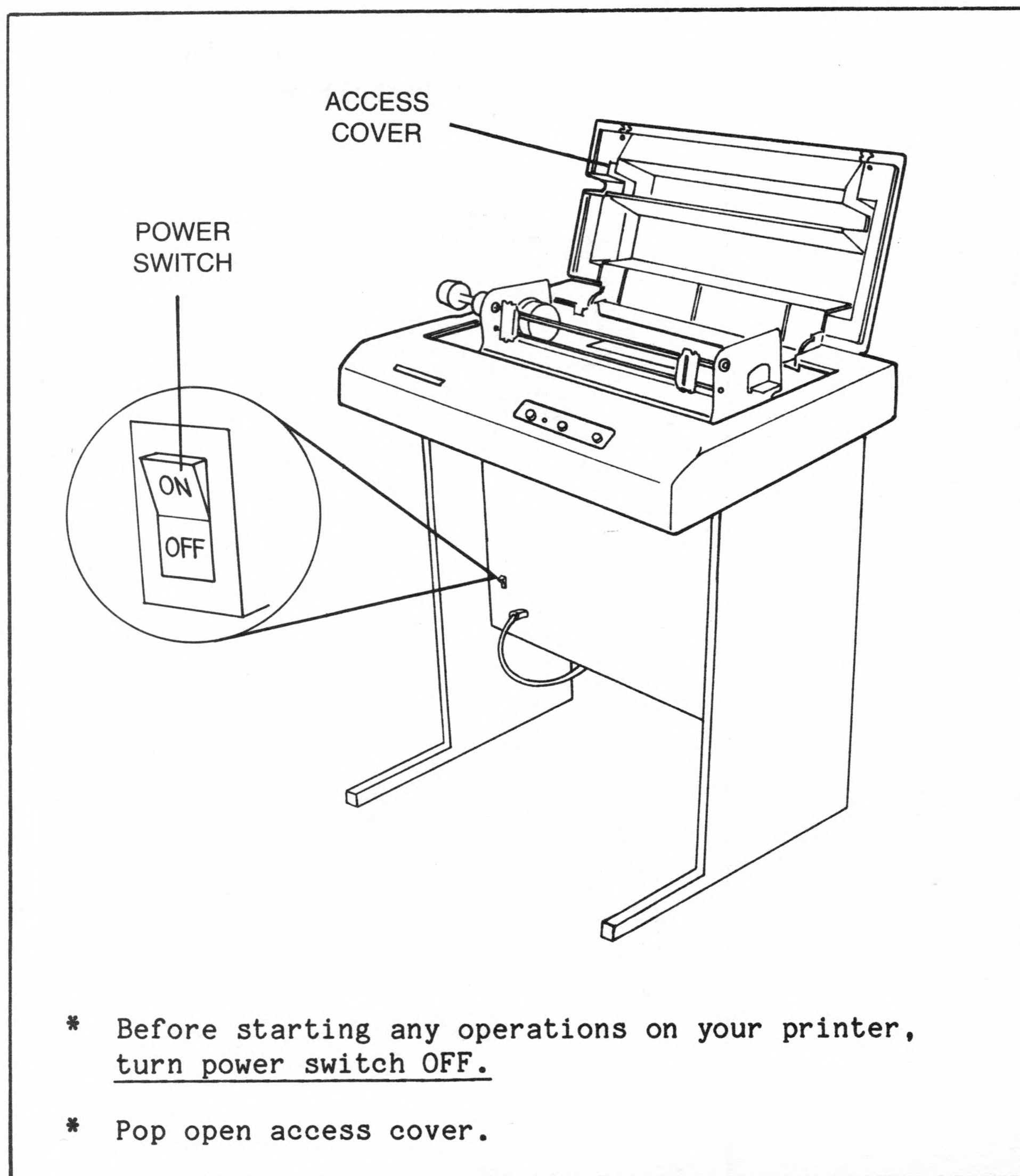


**DECprinter III  
(LA120 Matrix Printer)**

How to:

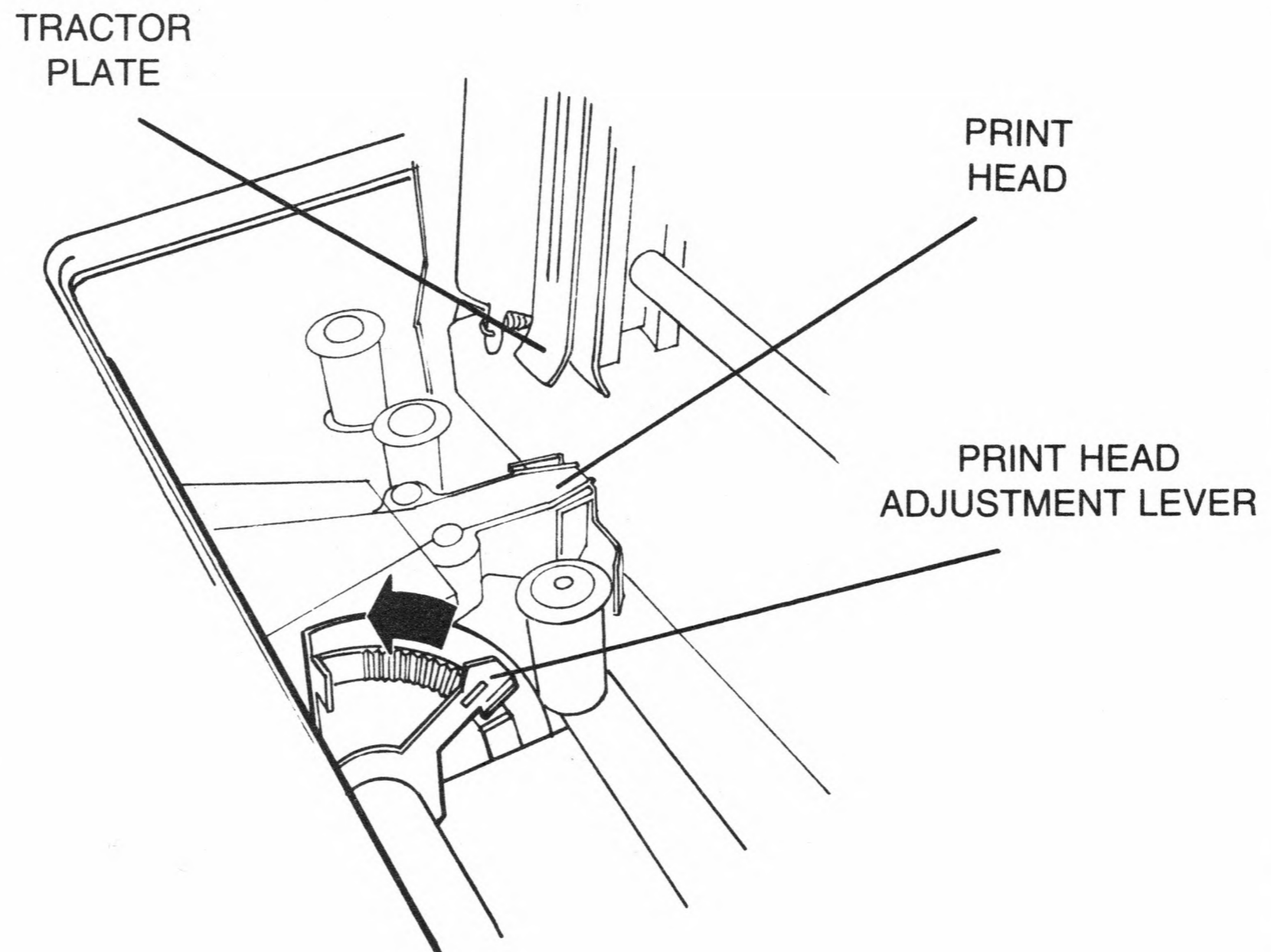
- Open cover
- Replace ribbon
- Load paper
- Set baud rate (speed)

To open cover

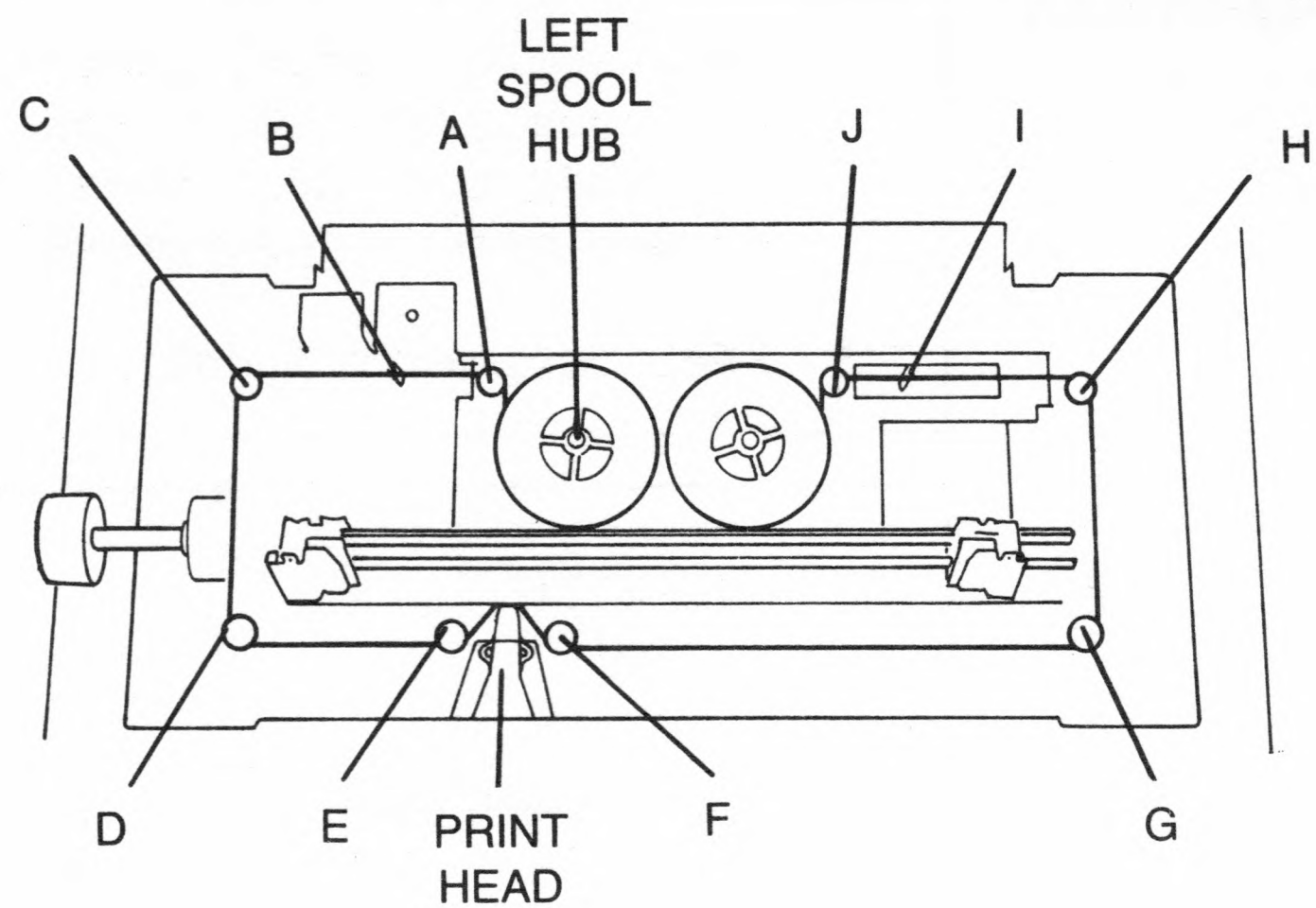


## To change ribbon

- \* Remove old ribbon, gently threading from around guideposts and idler spools. (It will help you to study how the ribbon threads through the guides before you remove it.)
- \* Keep one empty spool.



- \* Move printhead adjustment lever towards you.
- \* Hook ribbon to take-up spool (empty ribbon spool). Make sure ribbon lays flat from spool to spool.
- \* (Several inches from the end of the ribbon is a small round grommet. This grommet changes ribbon direction. In threading the ribbon, the grommet must be between the spool and the ribbon guide I.)
- \* Wind several inches of ribbon onto take-up spool.



Refer to the illustration as you thread ribbon.

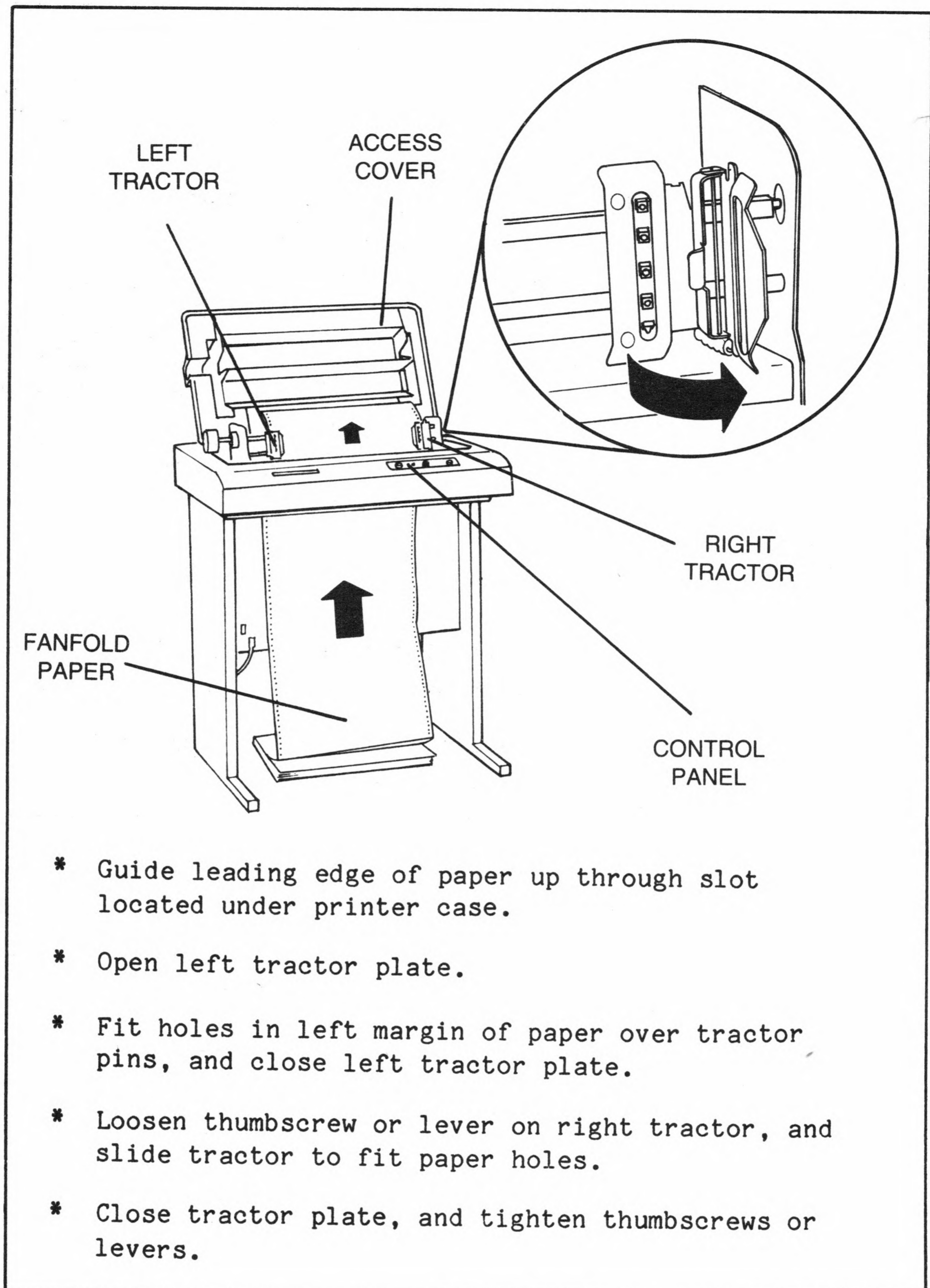
- \* Place full spool on left spool hub, turning it clockwise until spool drops into position.
- \* Guide ribbon around idler spool A.
- \* Slip ribbon through ribbon guide B.
- \* Guide ribbon around outside of idler spools C, D, and E.
- \* Guide ribbon around front of printhead.
- \* Run ribbon around outside of idler spools F, G, and H.
- \* Slip ribbon through ribbon guide I.
- \* Guide ribbon around outside of idler spool J.
- \* Without twisting ribbon, place take-up spool on right spool hub. Turn take-up spool clockwise on hub until it drops into position.

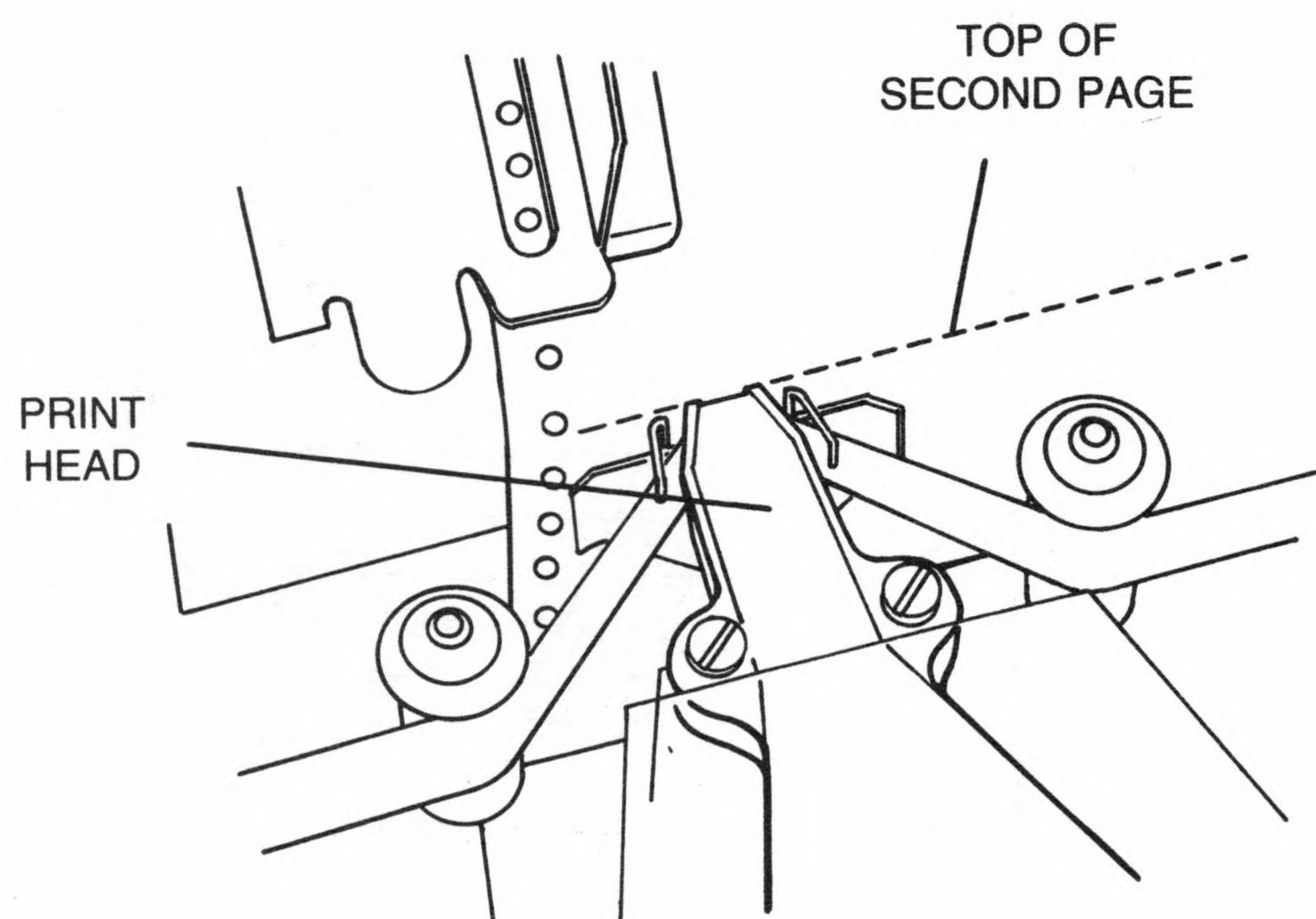
(The take-up spool must be placed on spool hub so that it will rotate in the same direction as the full spool during printer operation.)

- \* Return printhead adjustment lever to its original position.
- \* Place paper on floor in front of printer pedestal.
- \* Move printhead adjustment towards you.



## To load paper



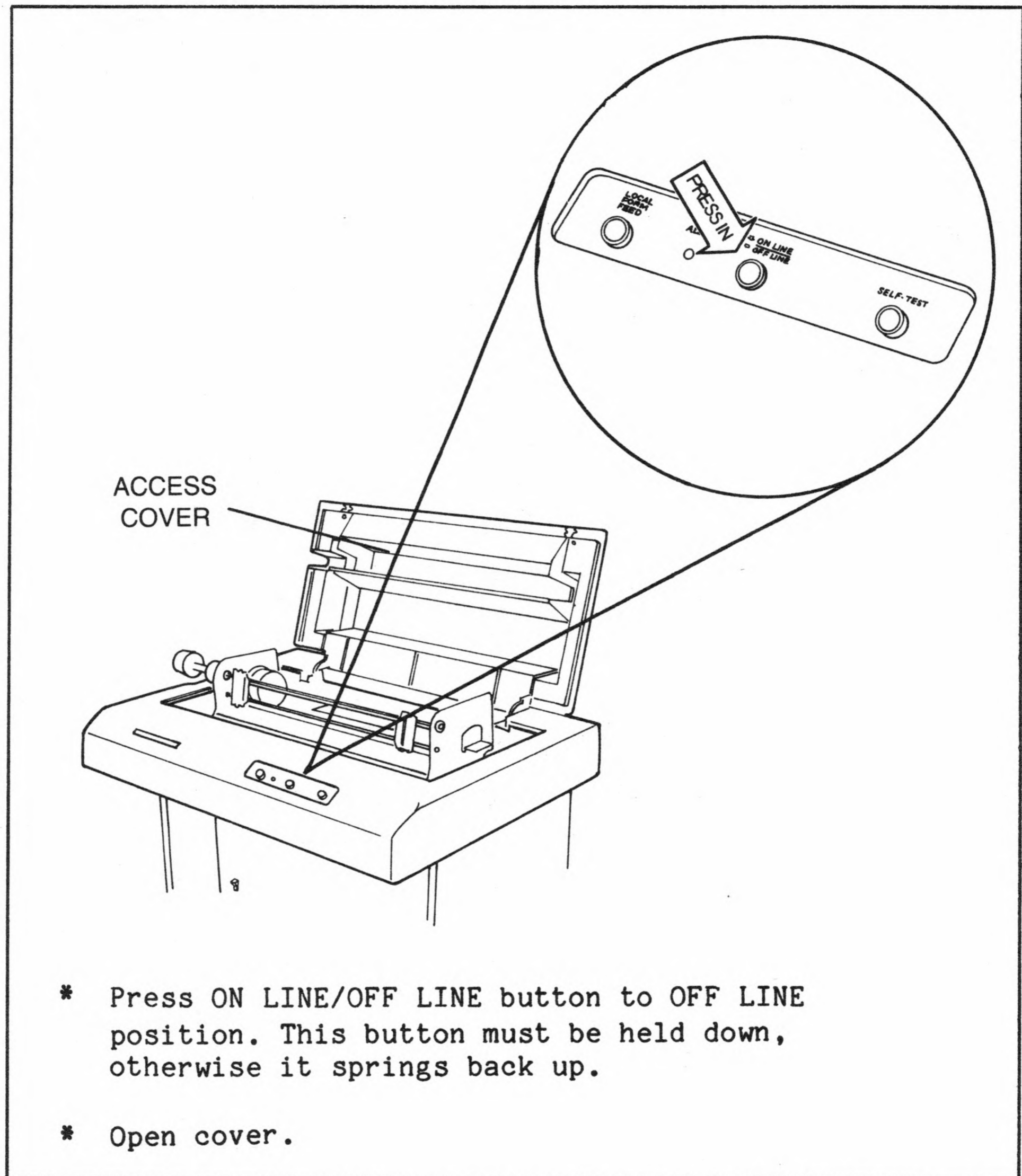


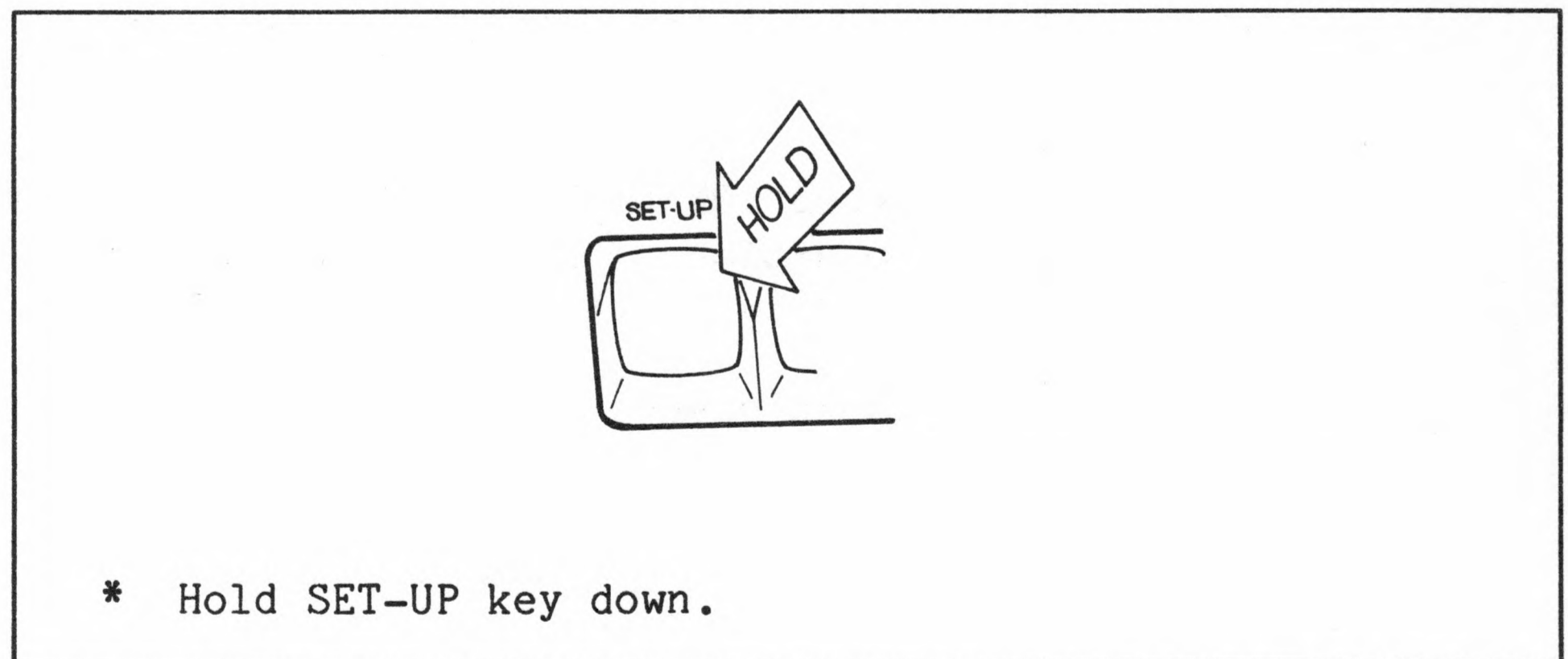
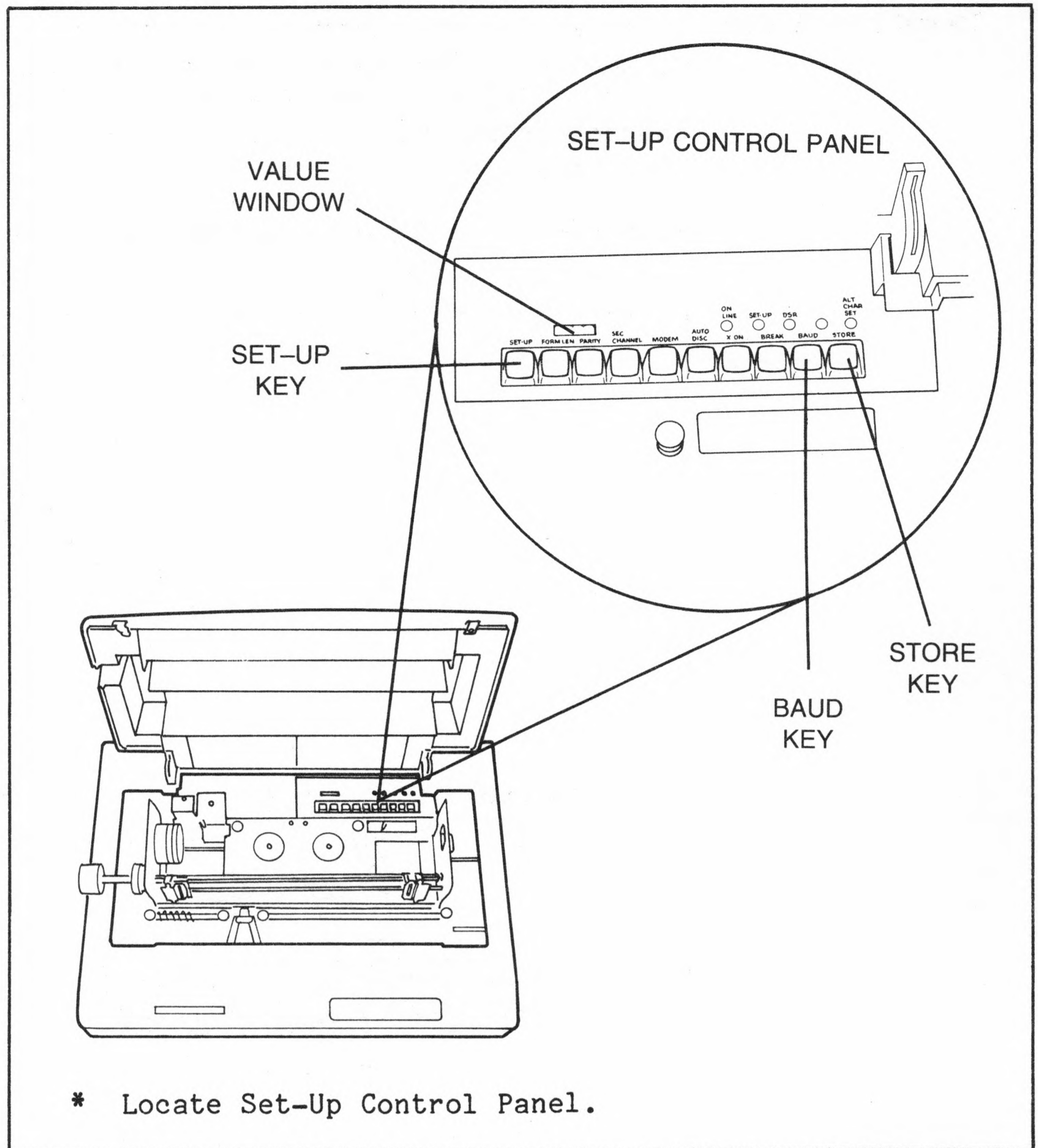
- \* Roll platen knob until top of printhead is even with top of second page.
- \* Return printhead adjustment lever to its original position.

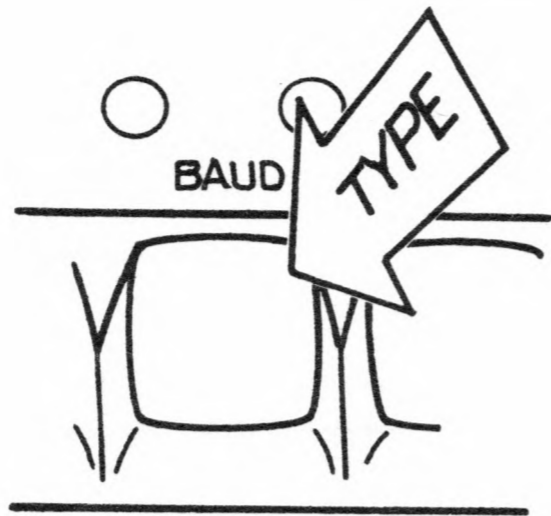
## To set baud rate

In order for your DECmate and printer to communicate, they must have the same baud rate (speed). DECmate runs at a speed of 9600 baud (9600 characters per second). Your LA120 must be set to 9600 baud.

Setting the baud rate requires two people.





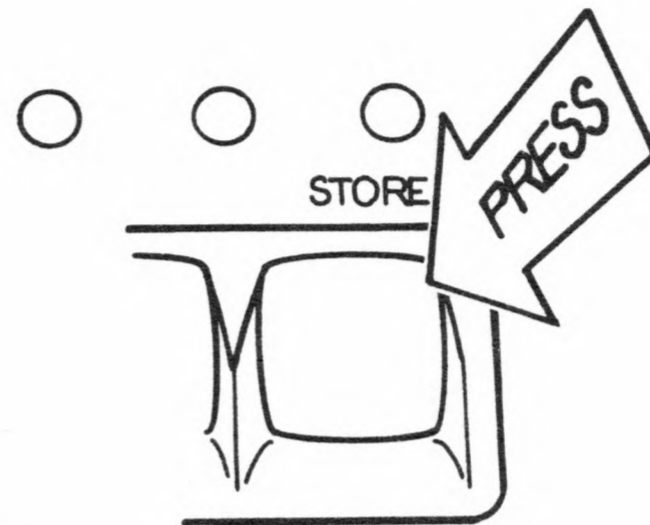


UNTIL YOU SEE



IN THE VALUE WINDOW

- \* Type on BAUD key until you see 9600 displayed in the Set-Up Control Panel value window.



- \* Press STORE key once.
- \* Release SET-UP key.
- \* Release ON LINE/OFF LINE button.
- \* Close cover.

\*\*\*\*\*

Refer to Chapter 5 for DECmate operation instructions.

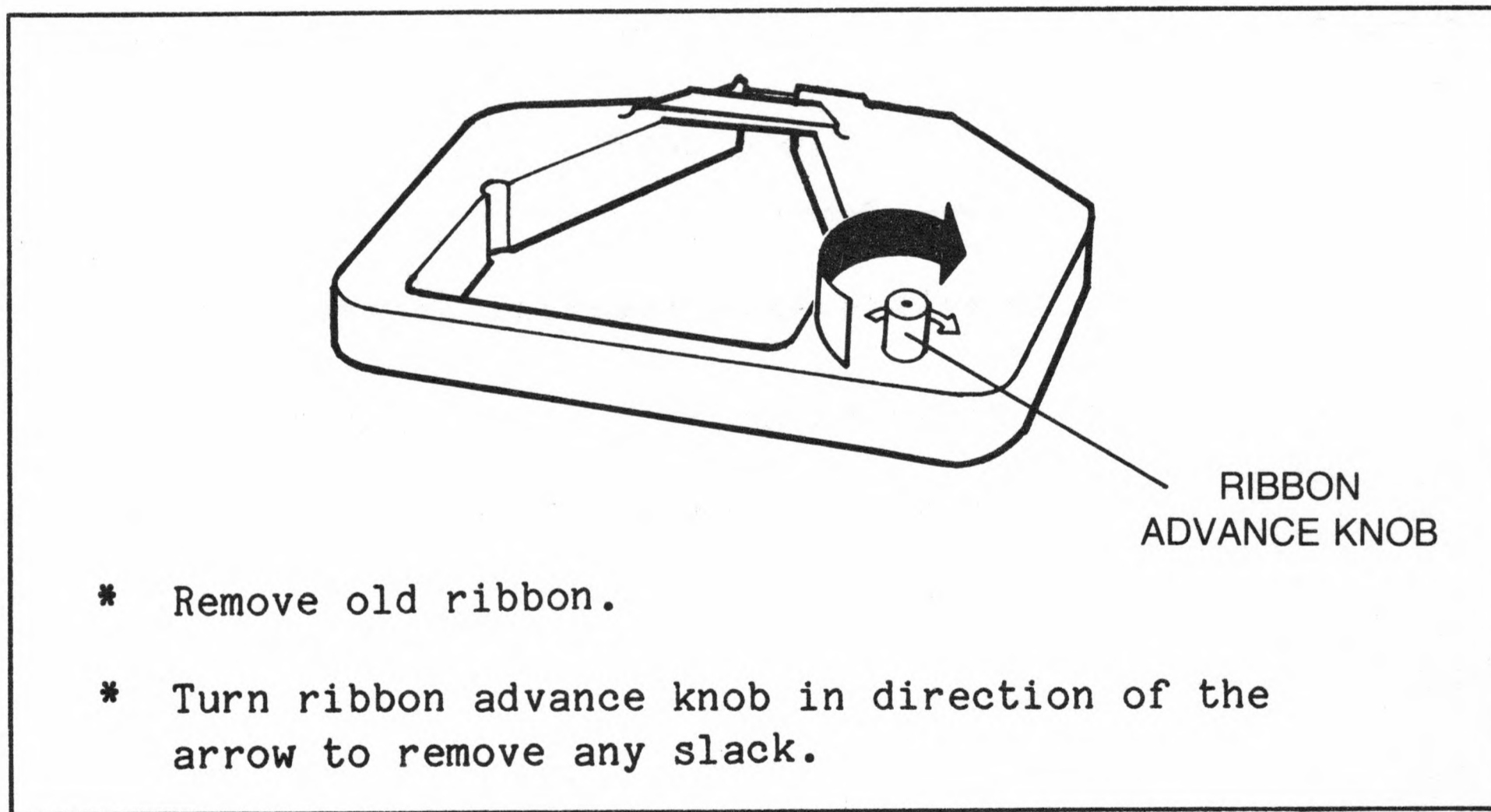
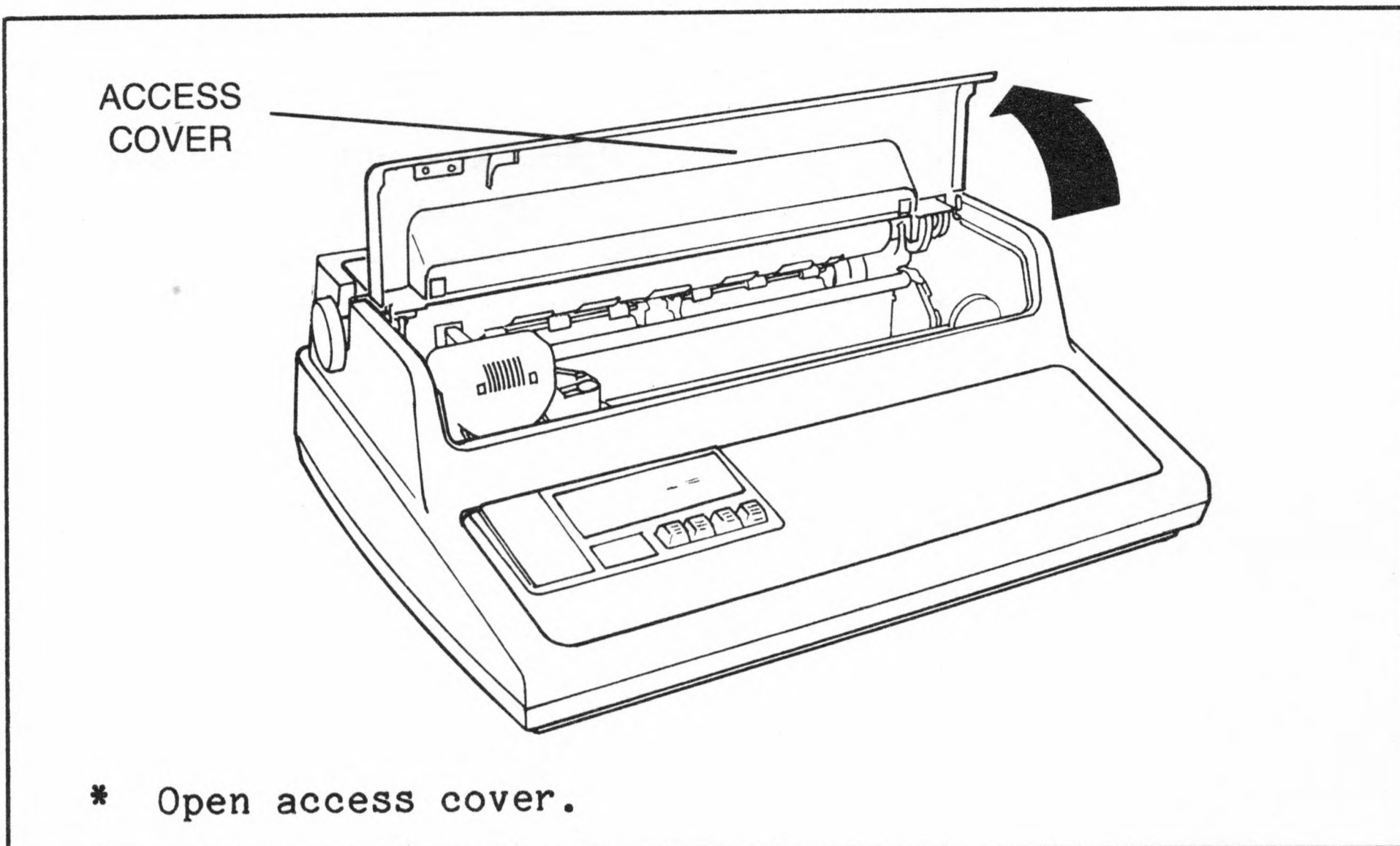
\*\*\*\*\*

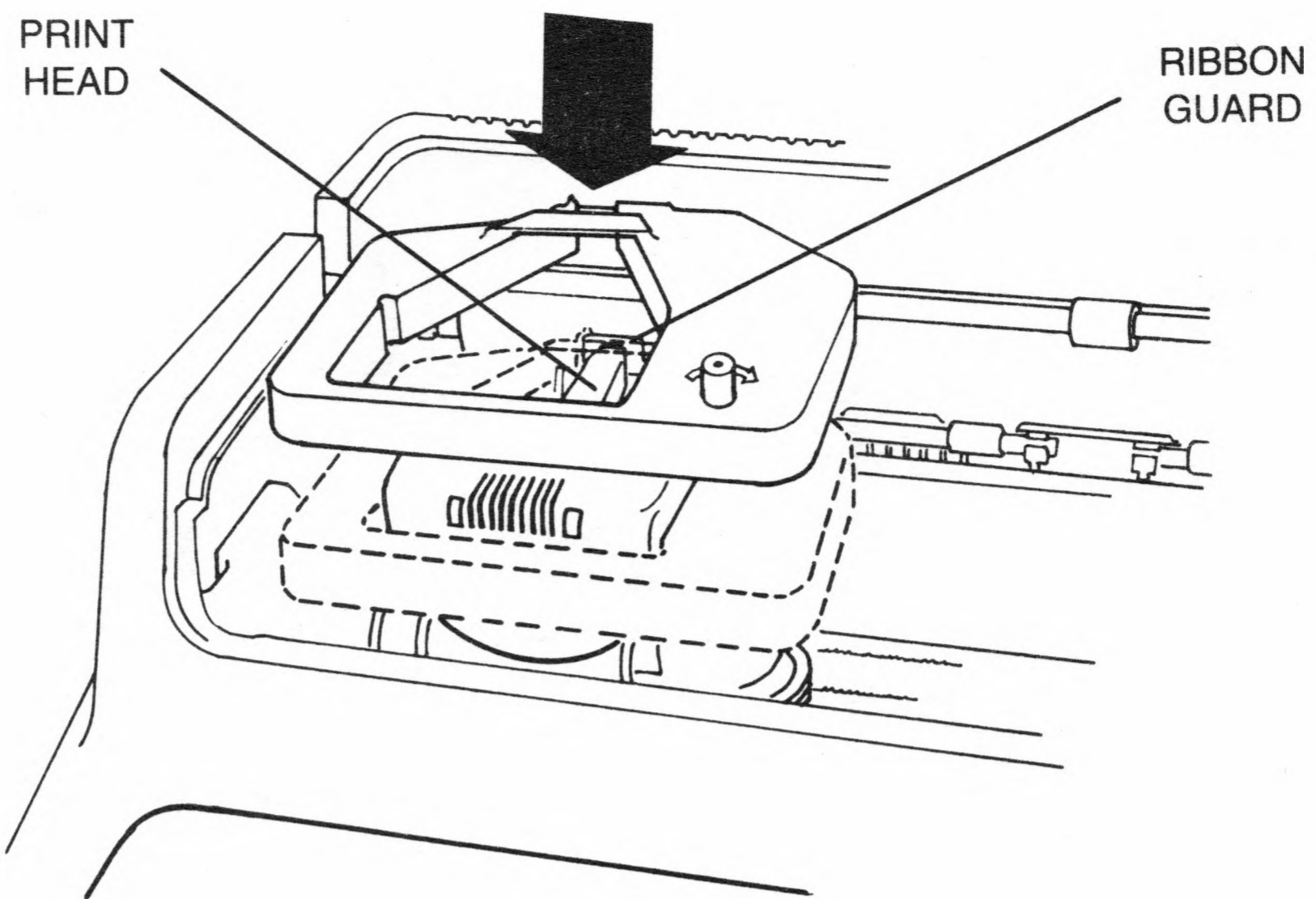
**DECwriter IV  
(LA34 Matrix Printer)**

How to:

- Change ribbon
- Load paper

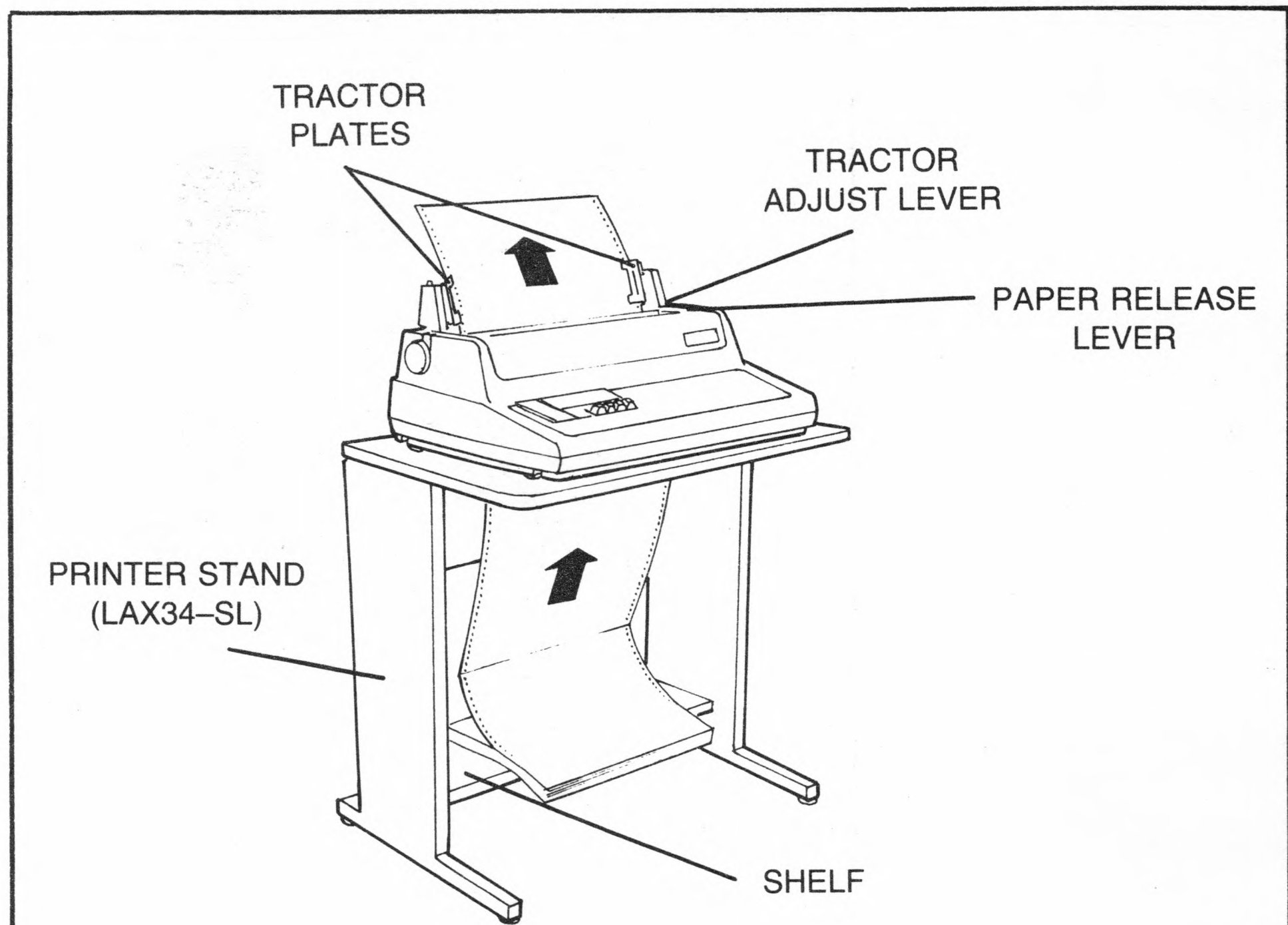
**To change ribbon**





- \* Slide exposed portion of ribbon between printhead and ribbon guard.
- \* Press down on cartridge until you hear it click into place.
- \* Turn ribbon-advance knob in direction of the arrow to take up any slack.
- \* Manually move the printhead to the right and then to the left several times. Watch the ribbon-advance knob. The ribbon-advance knob should turn in a clockwise direction.
- \* Close access cover.
- \* Press CLEAR FAULT Key

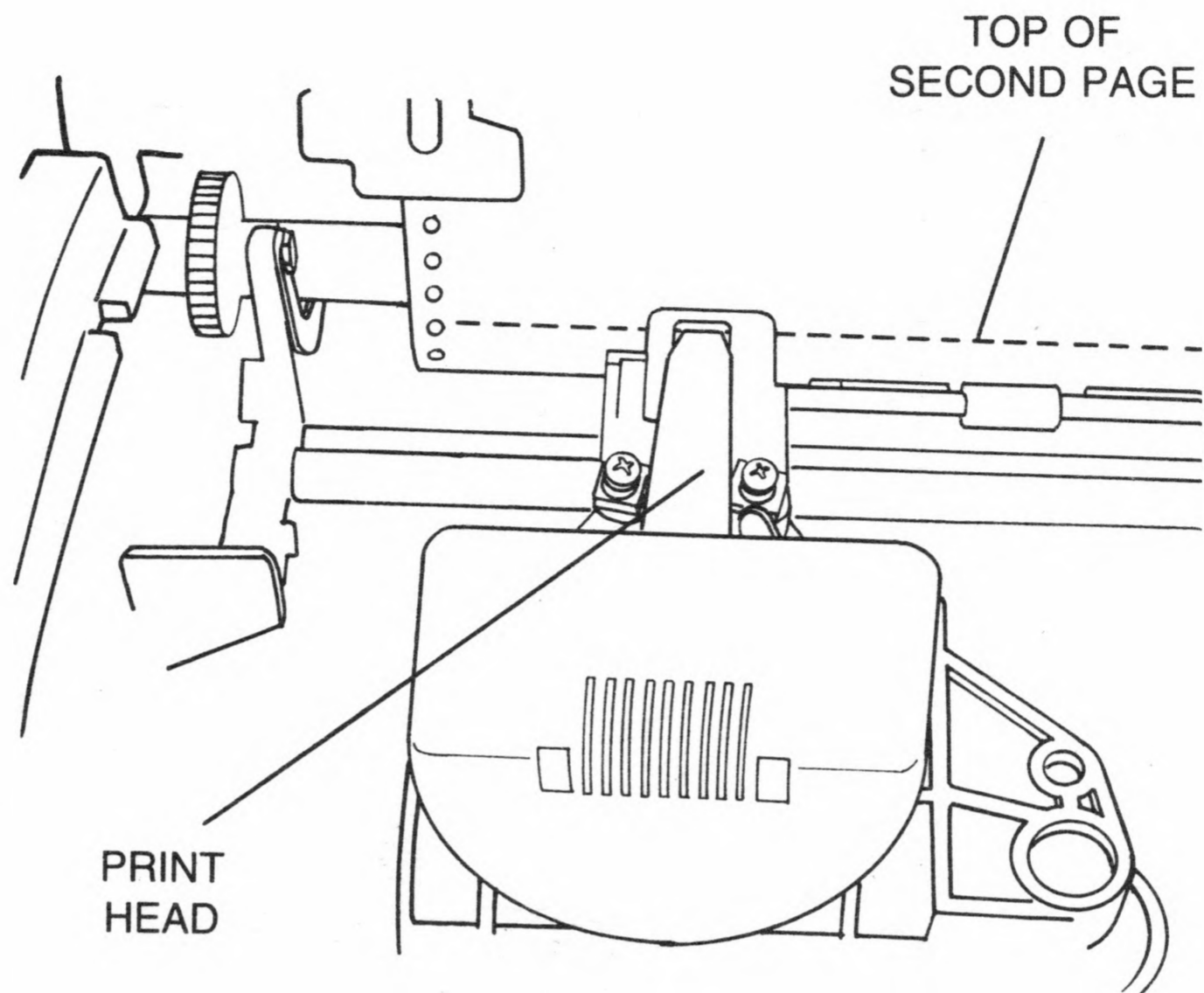
## To load paper



- \* Push paper-release lever back.
- \* Place paper on printer stand shelf. Paper must be parallel to paper slot in stand.  
  
(If you are not using the printer stand option - LAX34-SL - place the paper on the floor behind the printer and bring leading edge of first piece of paper over back of printer and under platen.)
- \* Guide leading edge of first piece of paper up through paper slot in stand and printer. Feed the paper upwards until you can grasp the leading edge of the first piece as it is fed up between the printhead and platen.
- \* Open left tractor plate.
- \* Fit holes in left margin of paper over left tractor pins, and close tractor plate.
- \* Gently move tractor-adjust lever on the right tractor toward front of printer.



- \* Slide right tractor to the left or right to accommodate size of the paper.
- \* Fit holes in right margin of paper over right tractor pins, and close right tractor plate.
- \* Move tractor-adjust lever on right tractor back.



- \* Roll platen knob until top of second page is aligned with the top of the printhead.
- \* Move paper-release lever forward.

\*\*\*\*\*

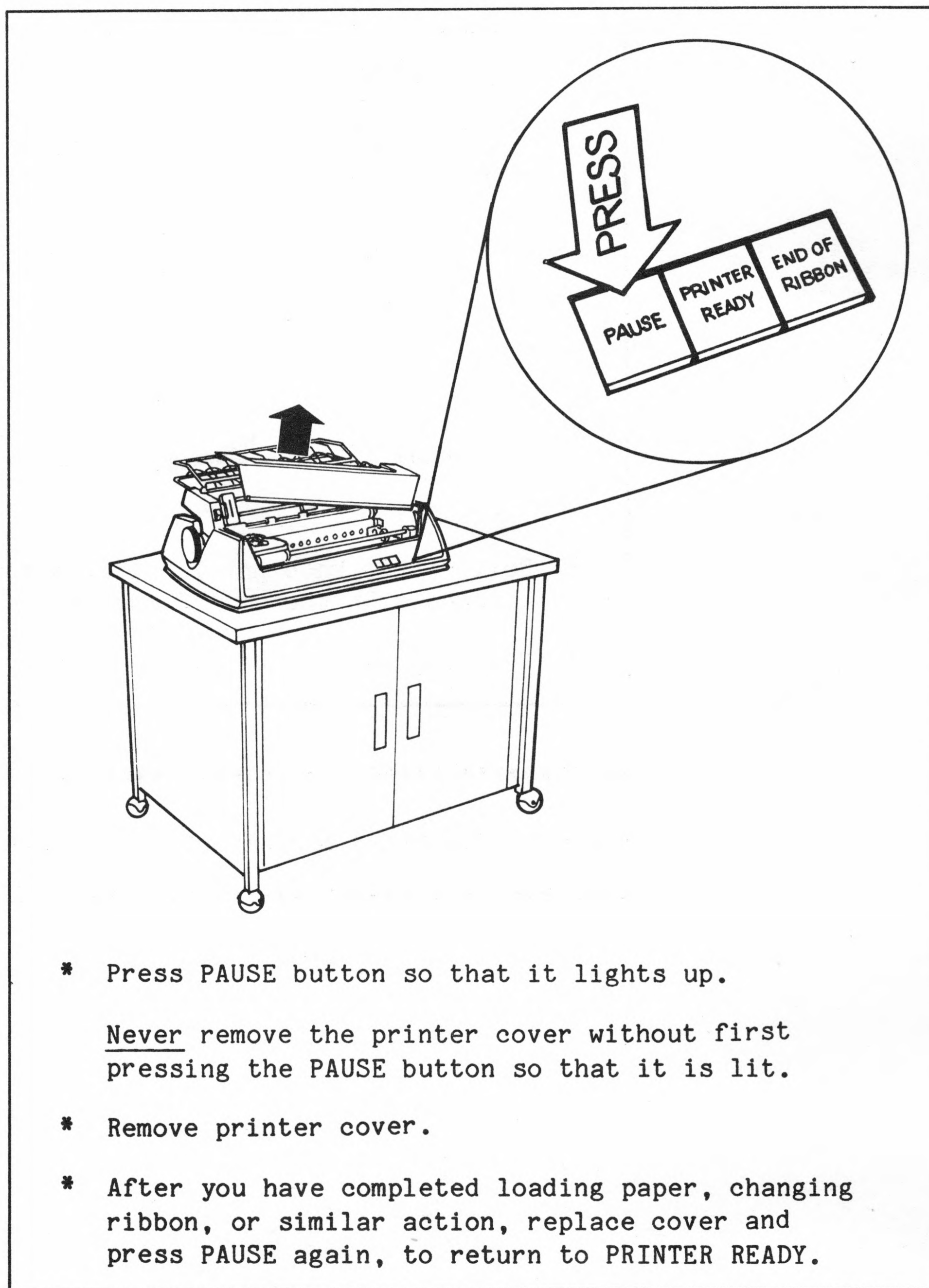
Refer to Chapter 5 for DECmate operation instructions.

\*\*\*\*\*

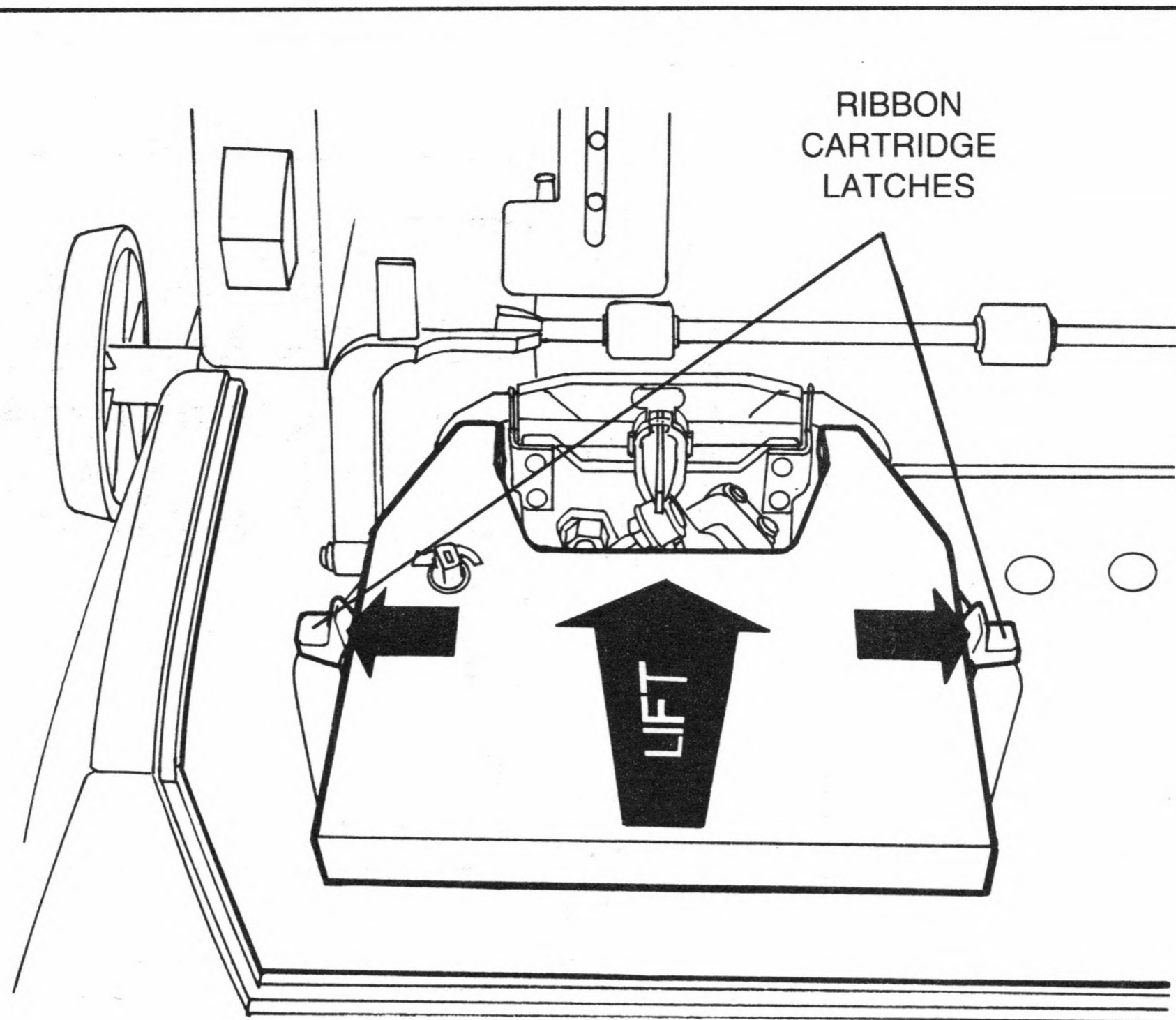
## Letter Quality Printer How to:

- Remove cover
- Change ribbon
- Replace printwheel
- Load paper

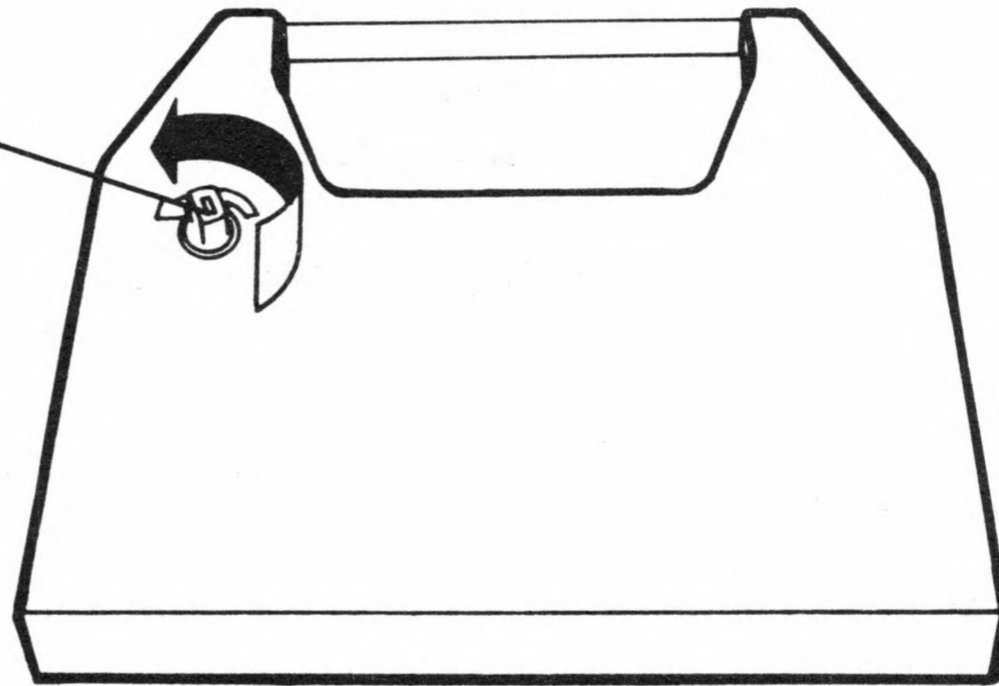
### To remove cover



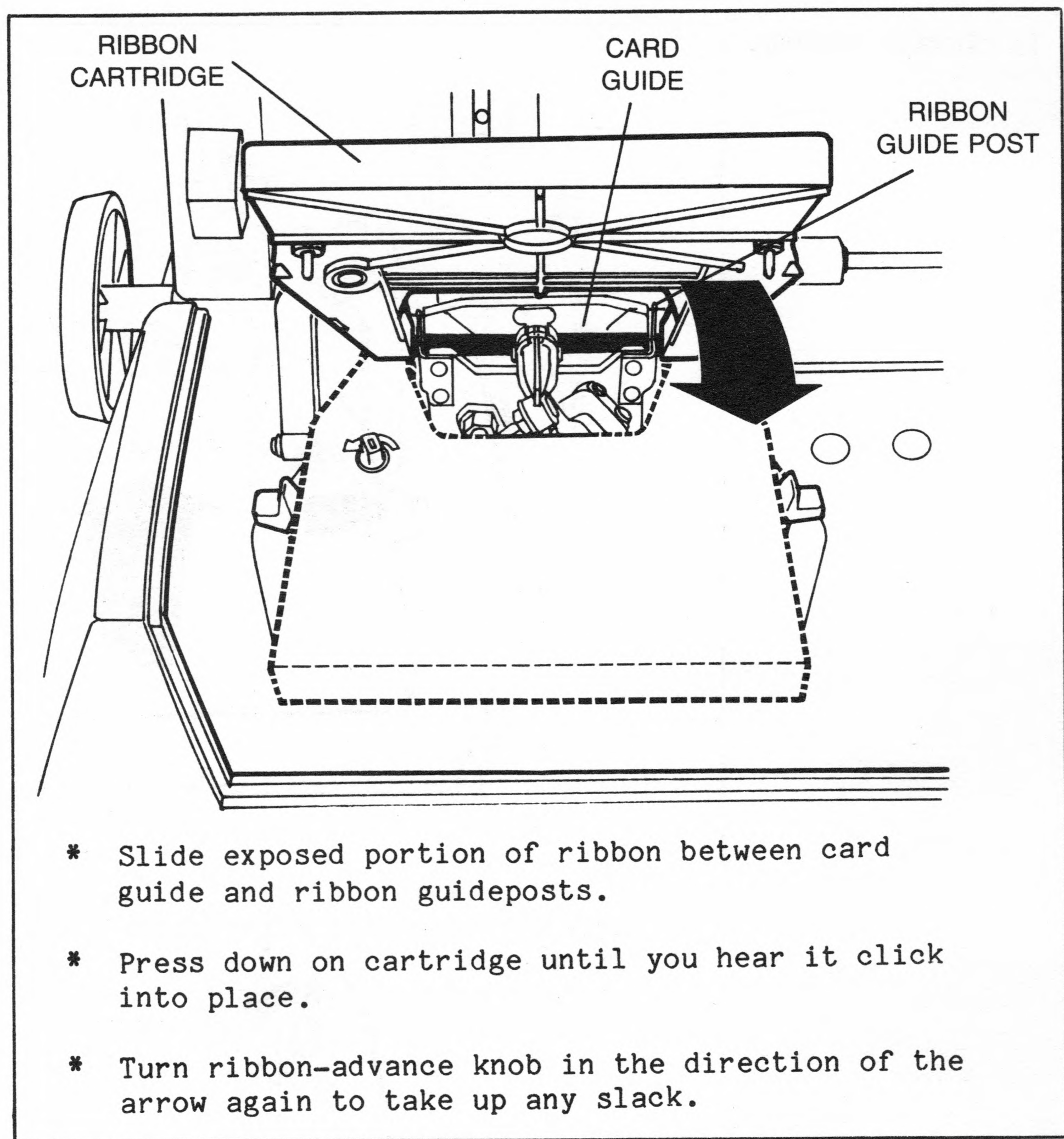
To change ribbon



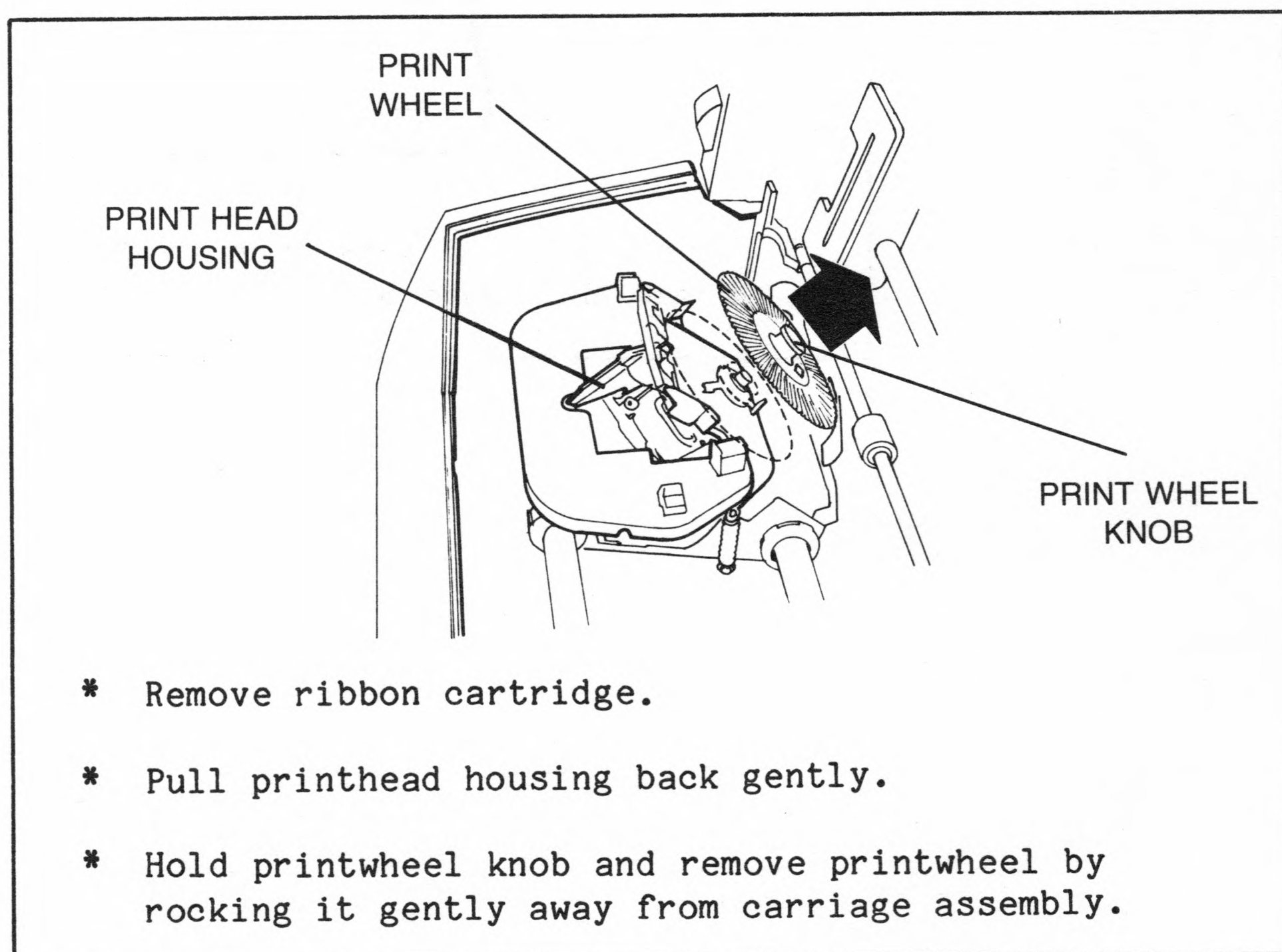
RIBBON  
ADVANCE  
KNOB



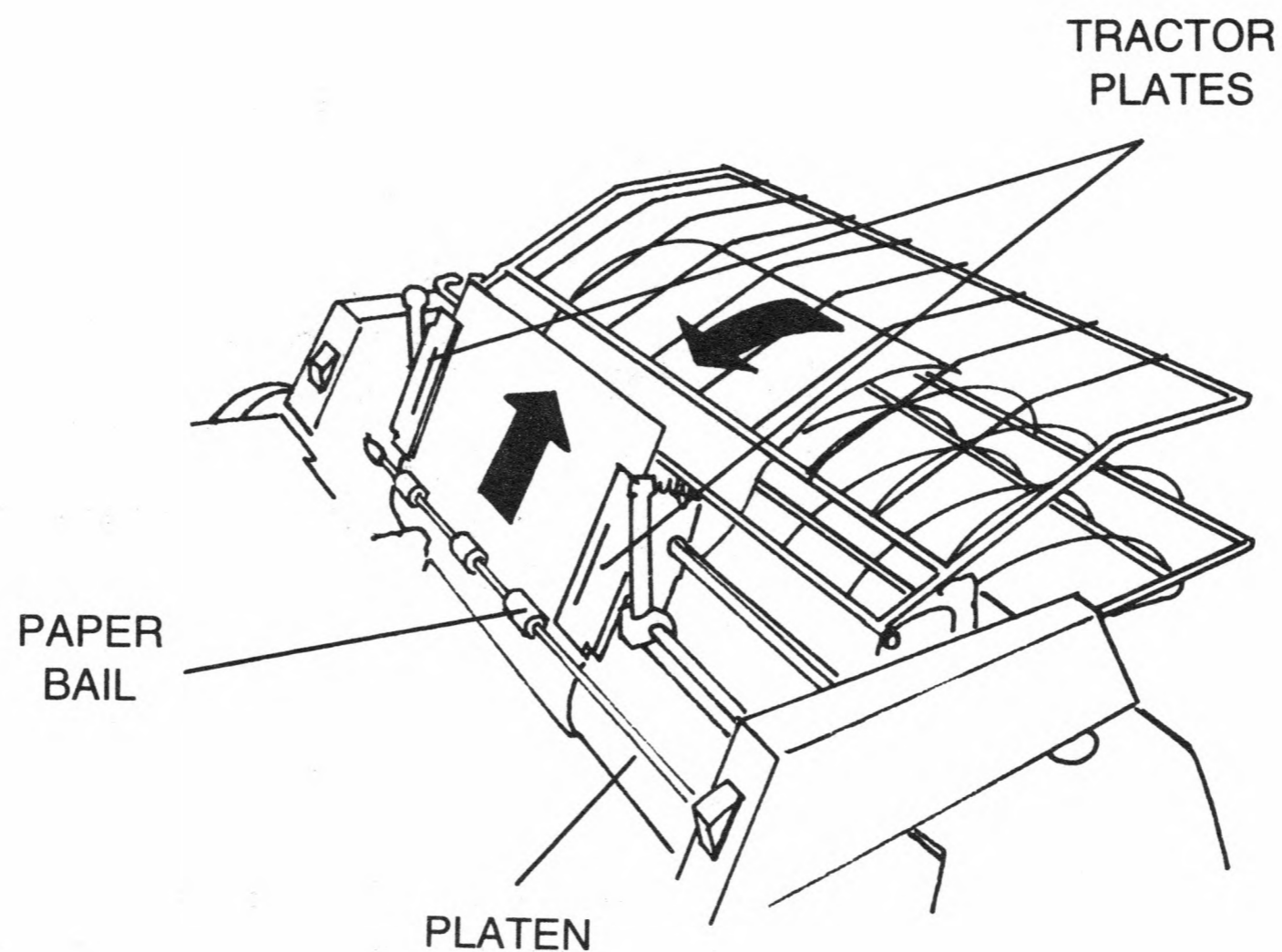
- \* Turn ribbon-advance knob in direction of the arrow to remove slack in new ribbon cartridge.



**To change print wheel**



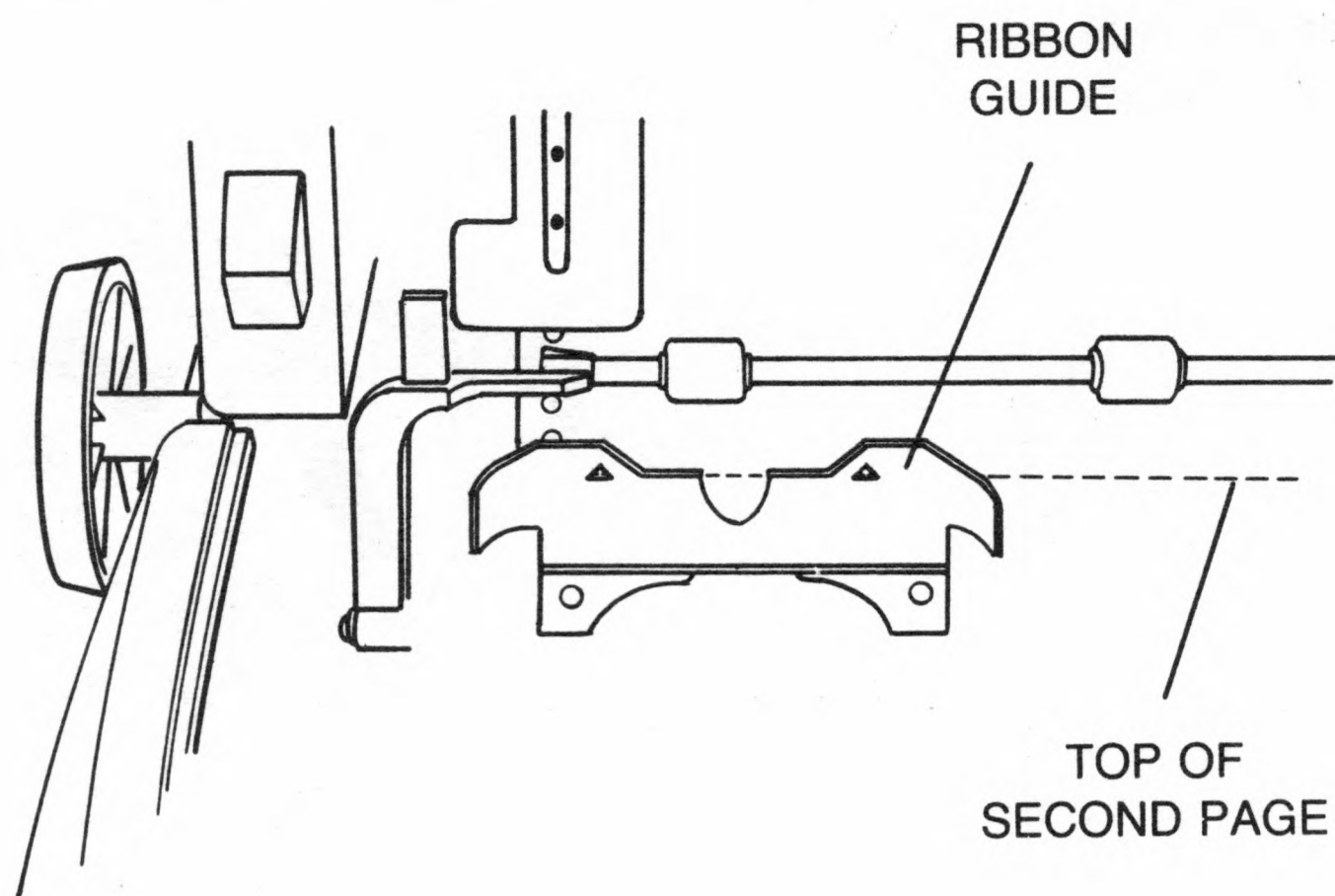
To load paper:  
Forward-directional  
tractor feed



- \* Place paper behind printer.
- \* Bring leading edge of first piece of paper over back of printer and slide it under platen.
- \* Fit holes in left margin of paper over left tractor pins.
- \* Close left tractor plate.

**Note** Check that the left edge of the paper, excluding the strip with holes, lines up with zero (0) on the paper alignment scale on the cover. If left edge is not aligned, loosen tractor clamp by moving it toward the front of the printer. Then slide the tractor left or right until the paper's left edge is aligned with zero. Tighten the tractor clamp.

- \* Loosen the tractor clamp on the right tractor.
- \* Slide the right tractor to the left or right to accommodate size of the paper.
- \* Fit holes in right margin of paper over right tractor pins.
- \* Close right tractor plate.
- \* Tighten tractor clamp on right tractor.

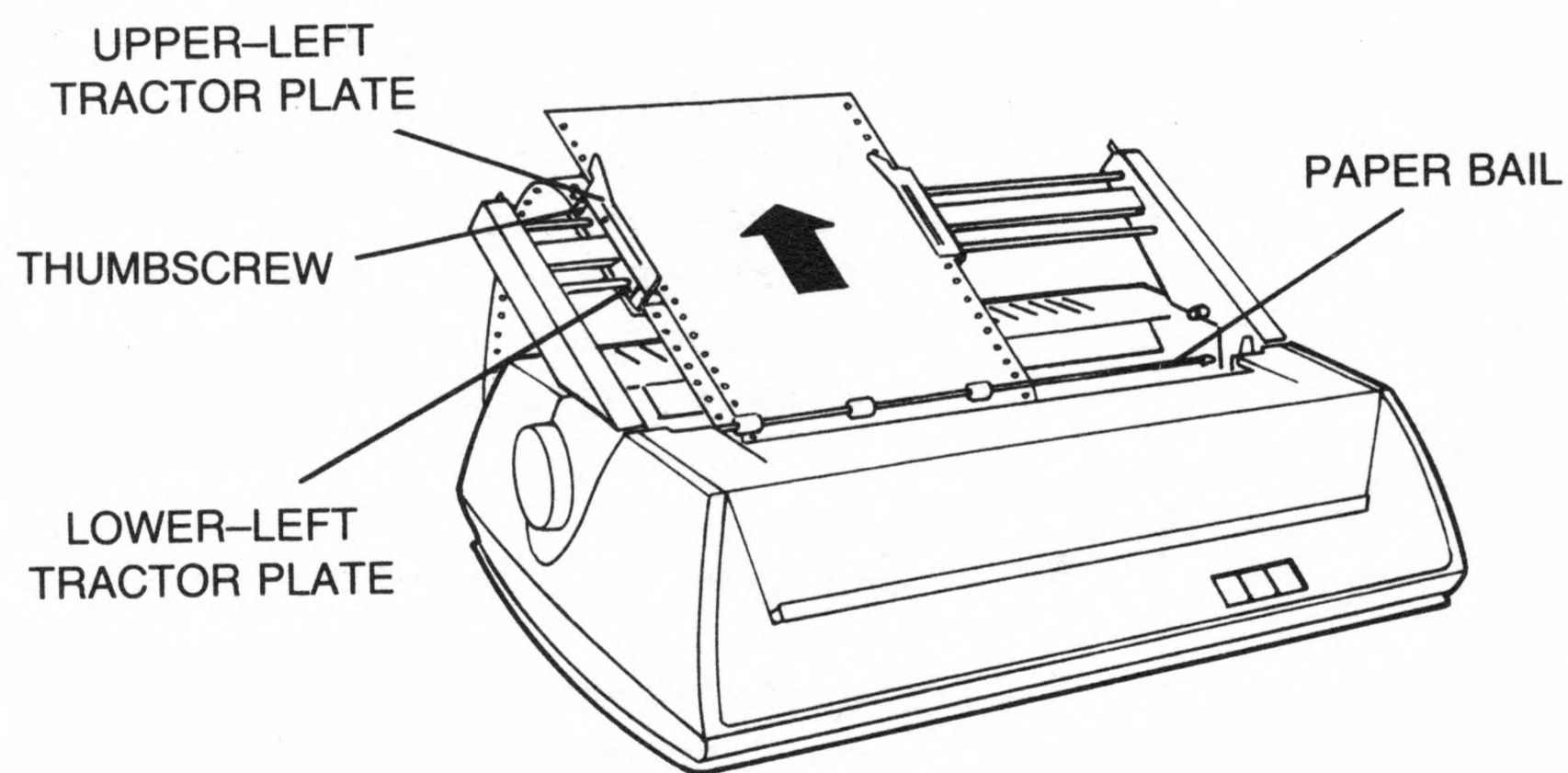


- \* Roll platen knob, located on right side of printer, forward until top of second page is aligned with bottom of the triangular holes in the ribbon guide.

(For more precise adjustments, push in the platen knob. This allows you to turn the platen less than one line at a time.)

- \* Close paper bail.
- \* Press PAUSE button so that it is no longer lit.

**To load paper:  
Bidirectional  
tractor feed**

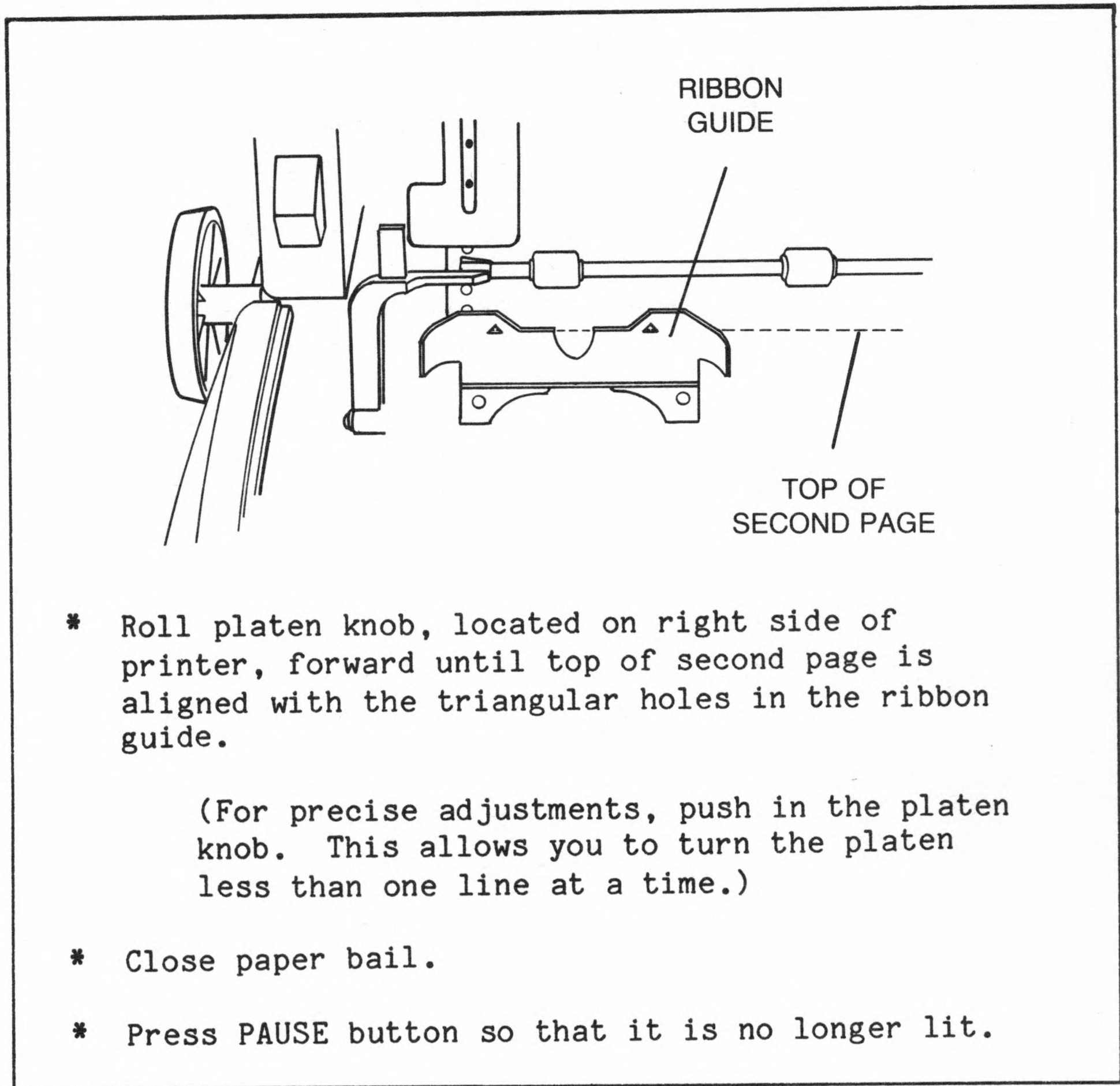


- \* Open upper and lower sets of left and right tractor plates.
- \* Pull paper bail forward, away from platen.
- \* Place paper behind printer.
- \* Bring leading edge of first piece of paper over back of printer and under platen.

- \* Advance paper to upper set of tractor plates.
- \* Fit holes in left margin of paper over pins in upper left tractor.
- \* Close upper-left tractor plate.

**Note** Check that the left edge of the paper, excluding the strip with holes, lines up with zero (0) on the paper alignment scale on the cover. If left edge is not aligned, loosen thumb screw. Then slide the tractor left or right until the paper's left edge is aligned with zero. Tighten the thumb screw.

- \* Loosen thumbscrew on right tractor.
- \* Slide right tractor to the left or right to accommodate size of the paper.
- \* Fit holes in right margin of paper over upper-right tractor pins.
- \* Close upper-right tractor plate.
- \* Tighten thumbscrew on right tractor.
- \* Hold the paper where it feeds into the printer and gently pull backwards until paper is snug. Fit the paper holes over the pins in both the lower left and lower right tractors.
- \* Close both lower tractor plates.



**To load paper –  
Single sheets**

For instructions in how to load single sheets of paper into your LQP, refer to the manual Using the Letter Quality Printer (AA-J042-TK).

\*\*\*\*\*

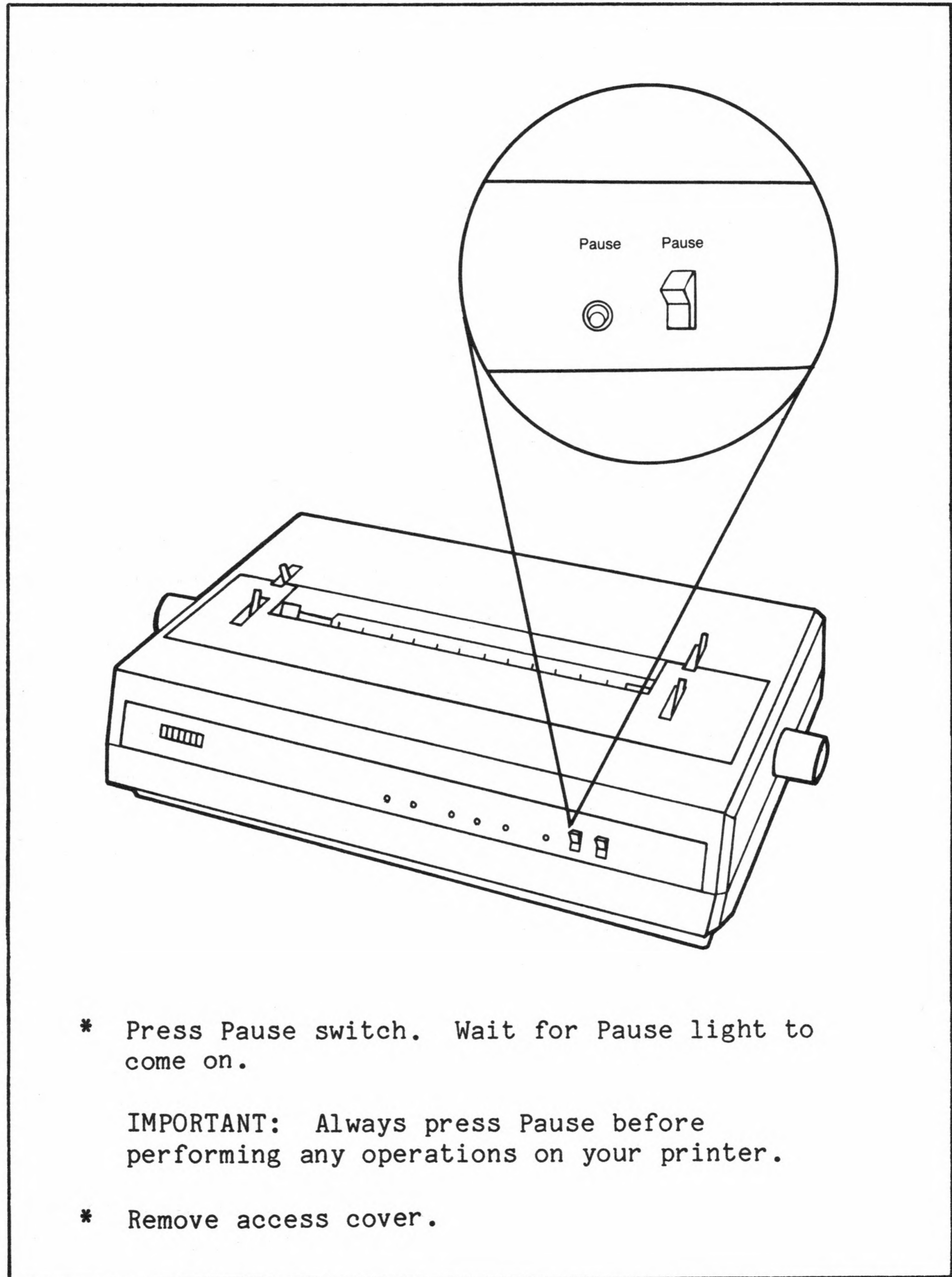
Refer to Chapter 5 for DECmate operation instructions.

\*\*\*\*\*



**LQP02 Printer** How to:

- Remove access cover
- Change ribbon cartridge
- Replace printwheel
- Load paper

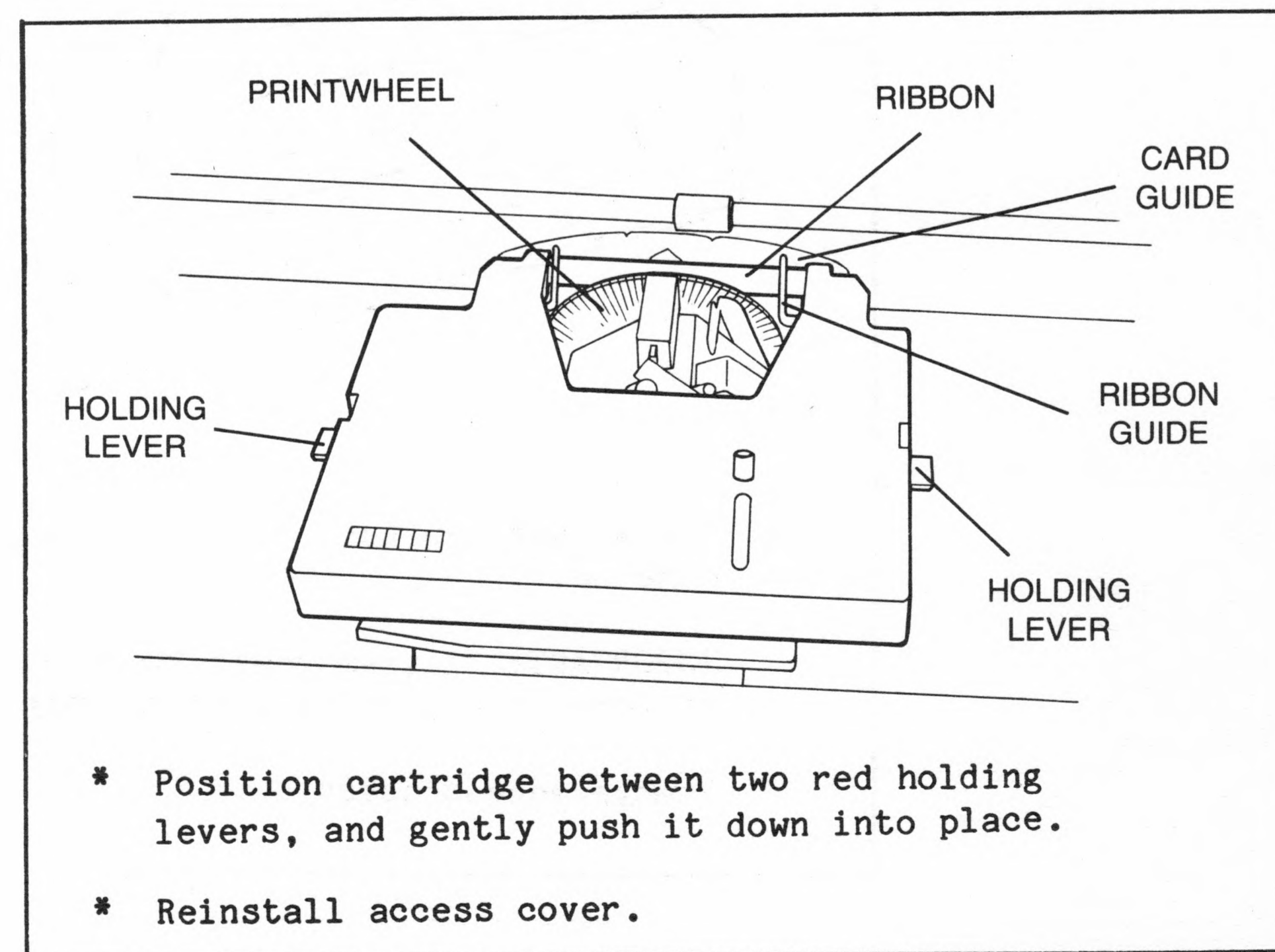
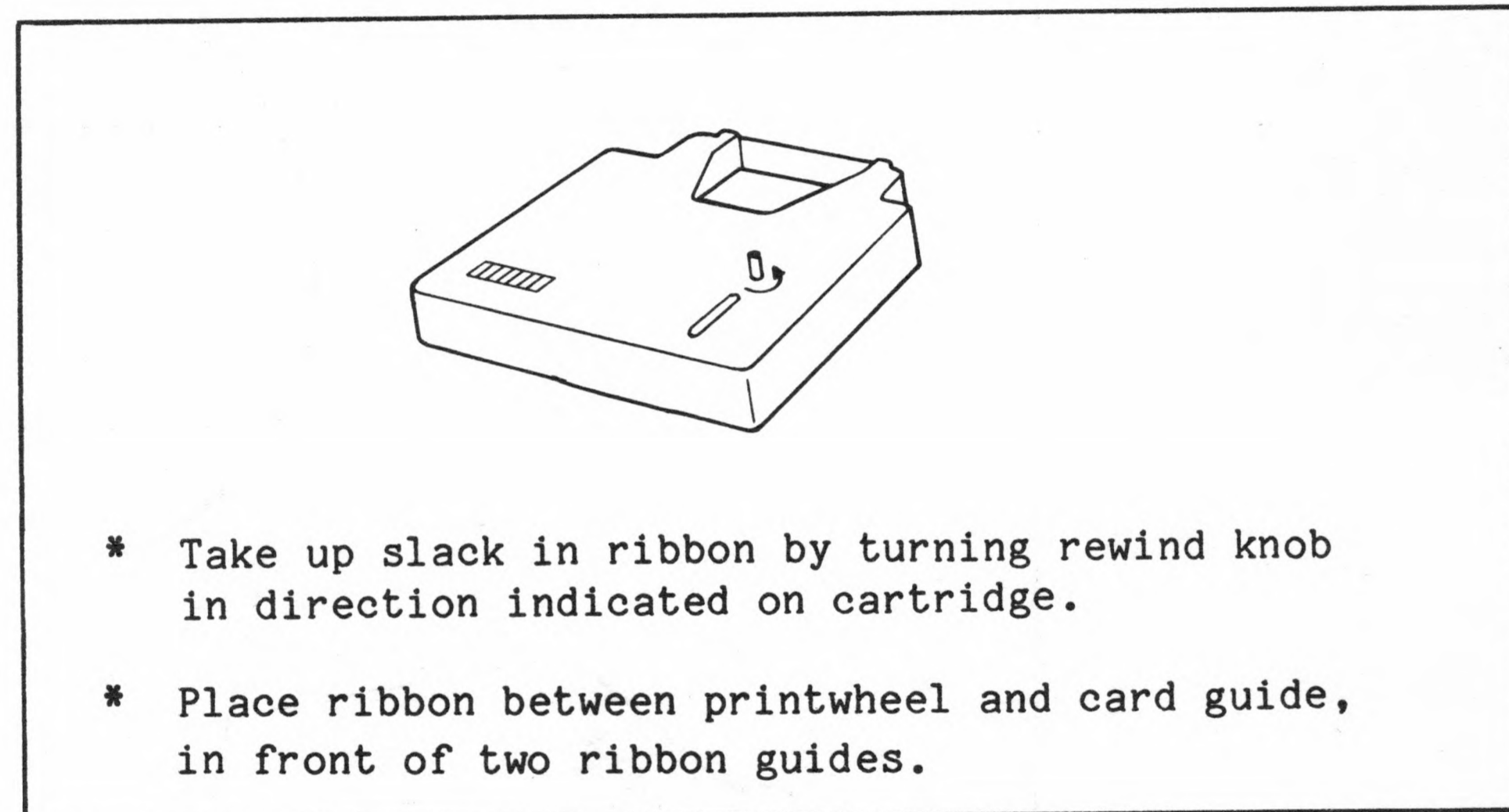
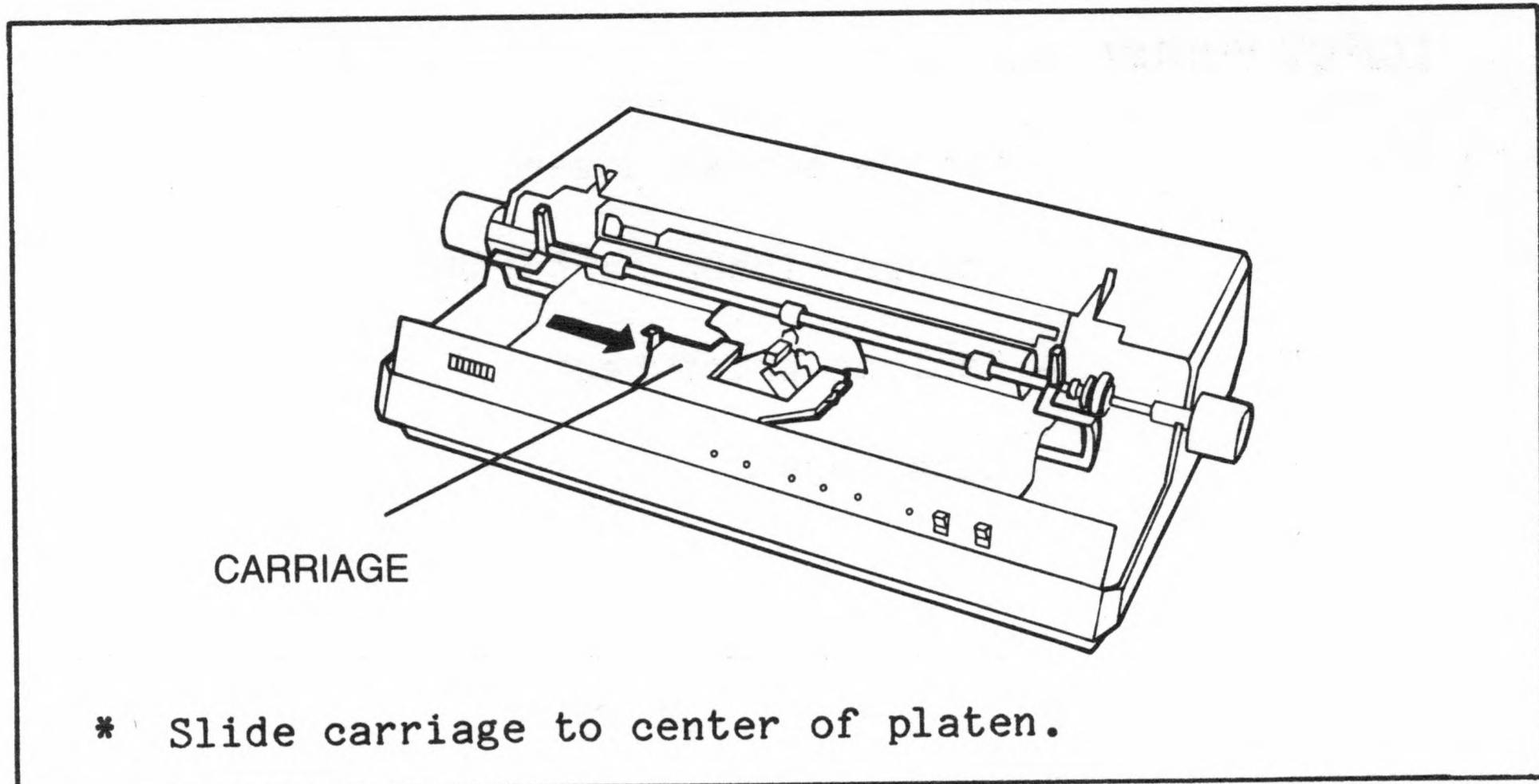


\* Press Pause switch. Wait for Pause light to come on.

**IMPORTANT:** Always press Pause before performing any operations on your printer.

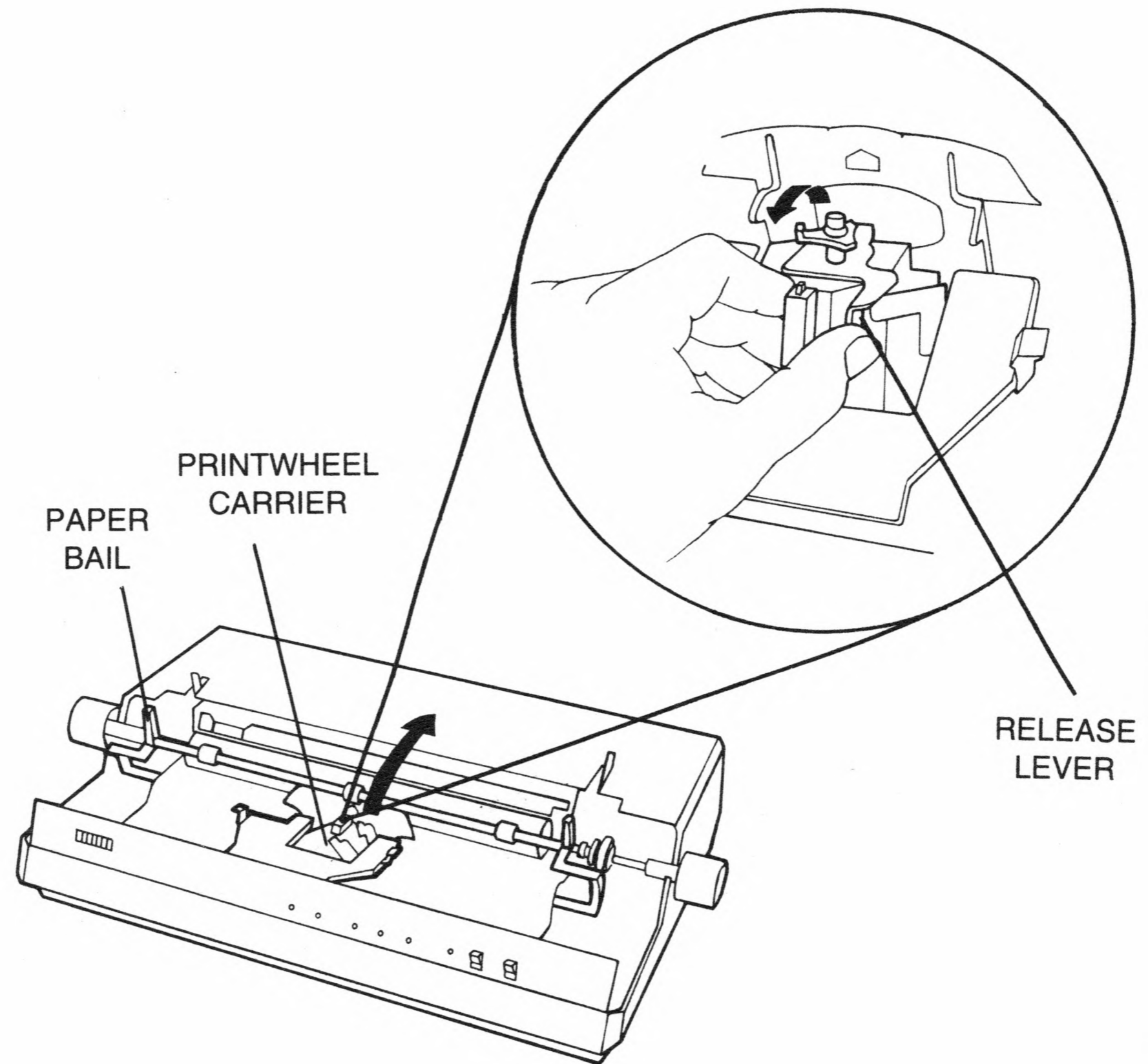
\* Remove access cover.

To change ribbon  
cartridge



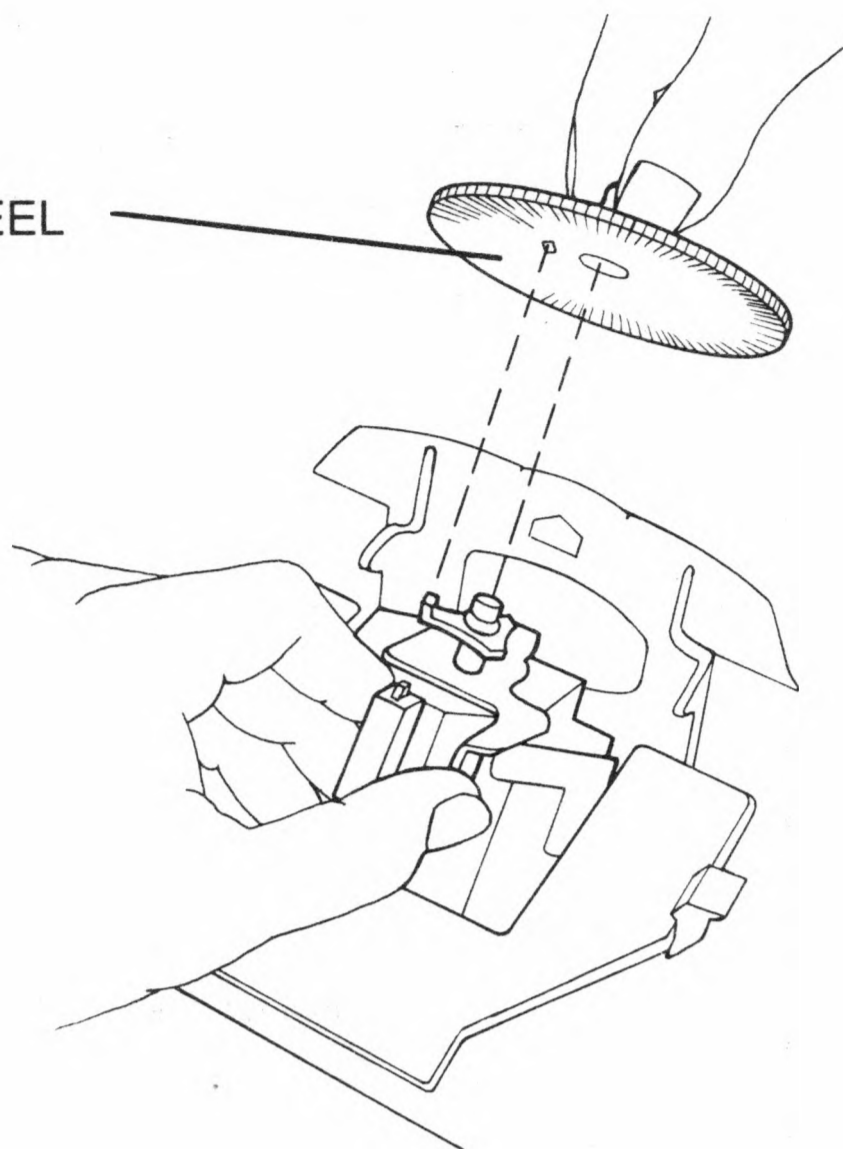
**To replace  
printwheel**

- \* Push paper bail against platen.
- \* Tilt printwheel carrier away from platen.  
Squeeze release lever and print hammer together.



- \* Gently pull printwheel carrier forward as far as it will go.
- \* Pull printwheel upwards gently but firmly.
- \* Install new printwheel. Align center hole with shaft, and align square hole with tab.

PRINTWHEEL

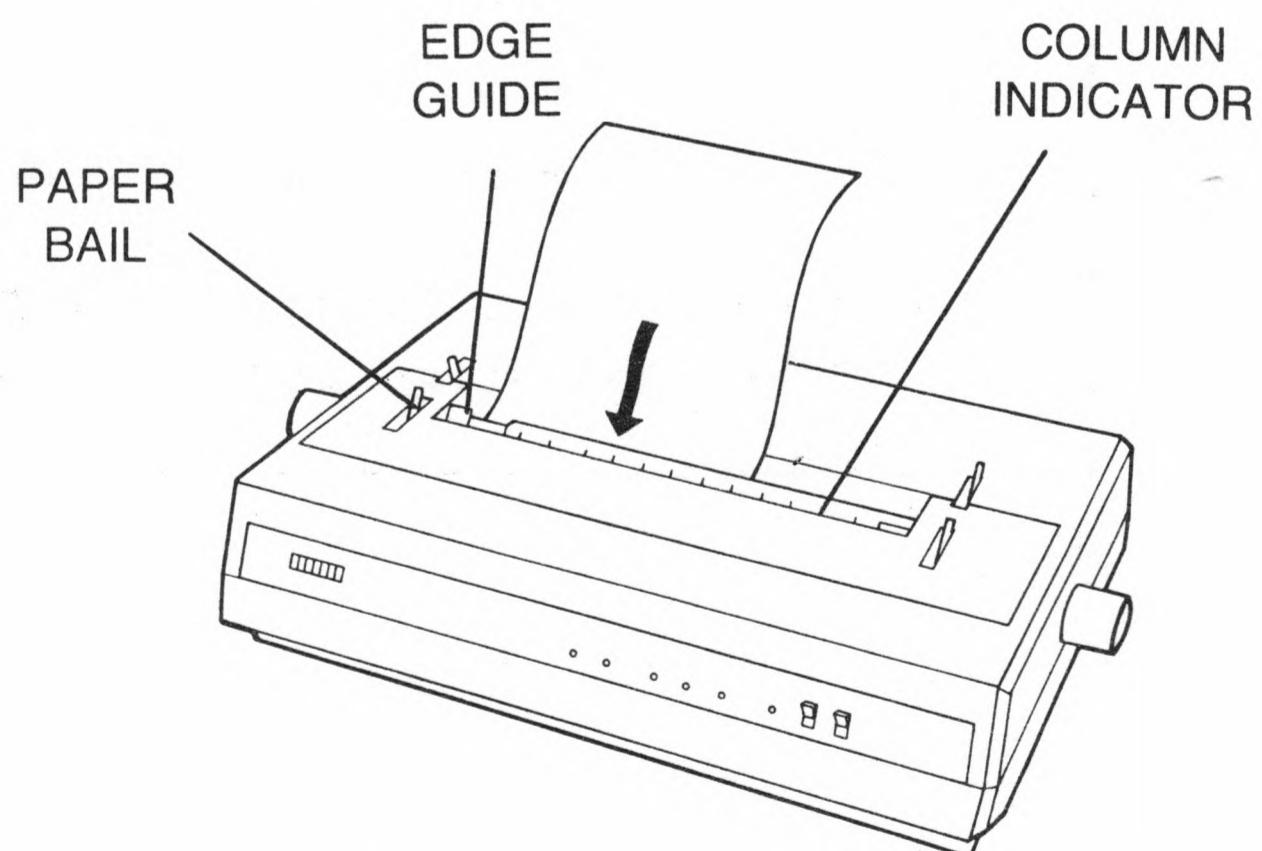


- \* Press printwheel hub down firmly, making sure it is all the way down.
- \* Return printwheel carrier to its former position and snap it into place.

### To load paper onto platen manually

If you are not using a forms tractor or sheet feeder:

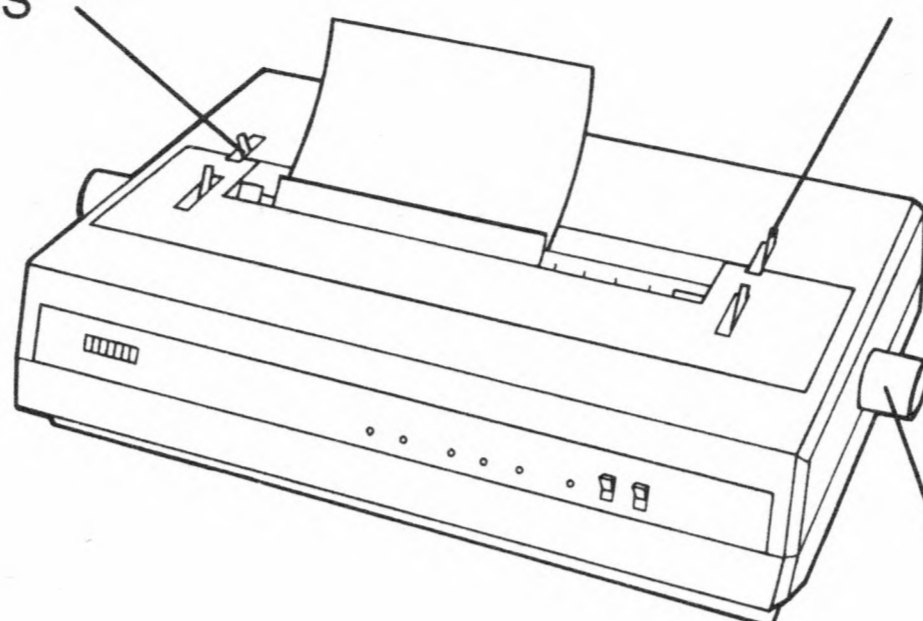
- \* Set movable edge guide at desired location on column indicator.



- \* Pull paper bail away from platen.
- \* Insert top of paper behind platen. Align left edge with paper edge guide. Turn platen knob to advance paper.

PAPER  
THICKNESS  
LEVER

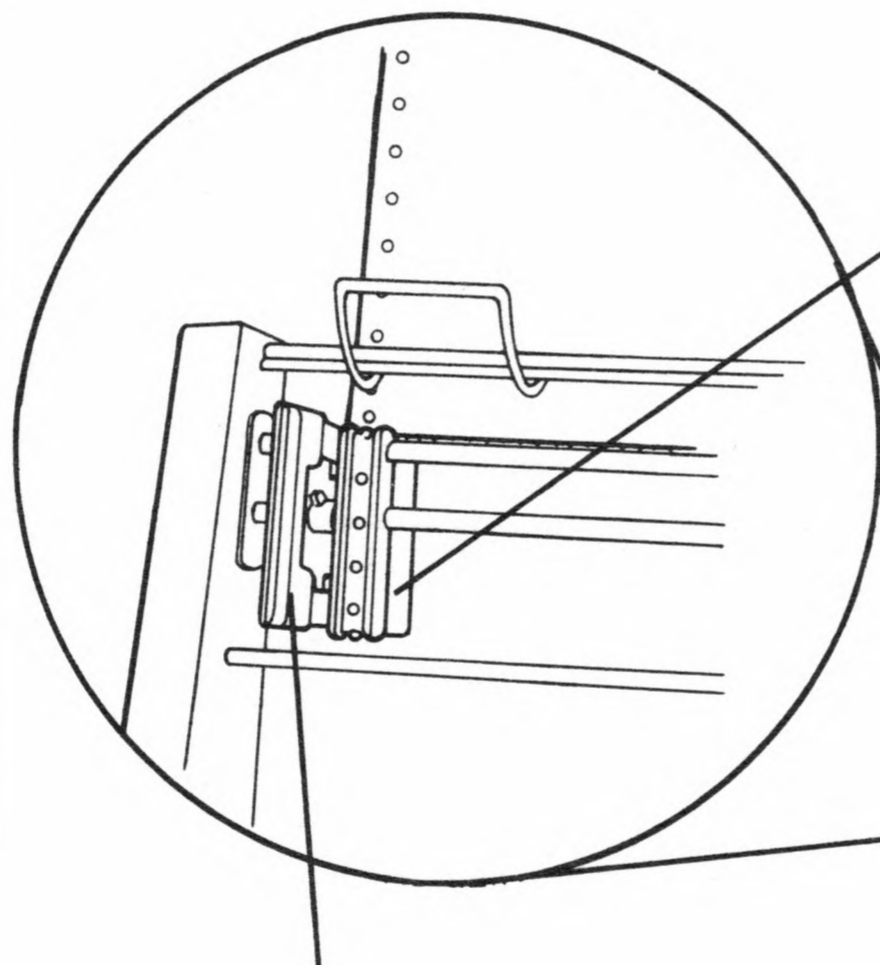
PAPER  
RELEASE  
LEVER



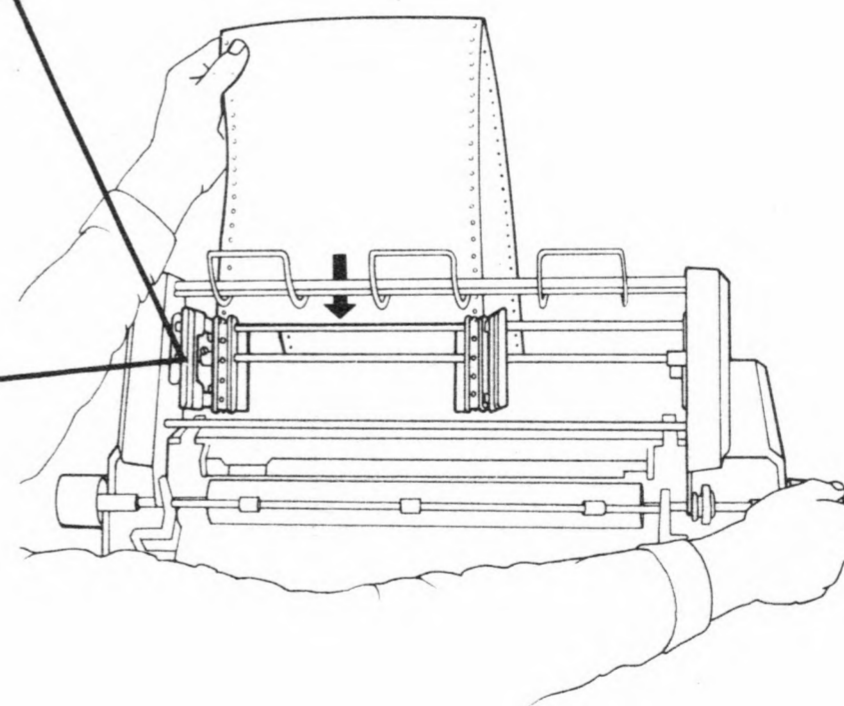
PLATEN  
KNOB

- \* Push paper bail back. Pull paper-release lever towards you, and align paper. Push paper-release lever back.
- \* Set paper-thickness lever for thickness of paper (forward for one sheet, progressively backward for two or more).

### To load paper into forms tractor



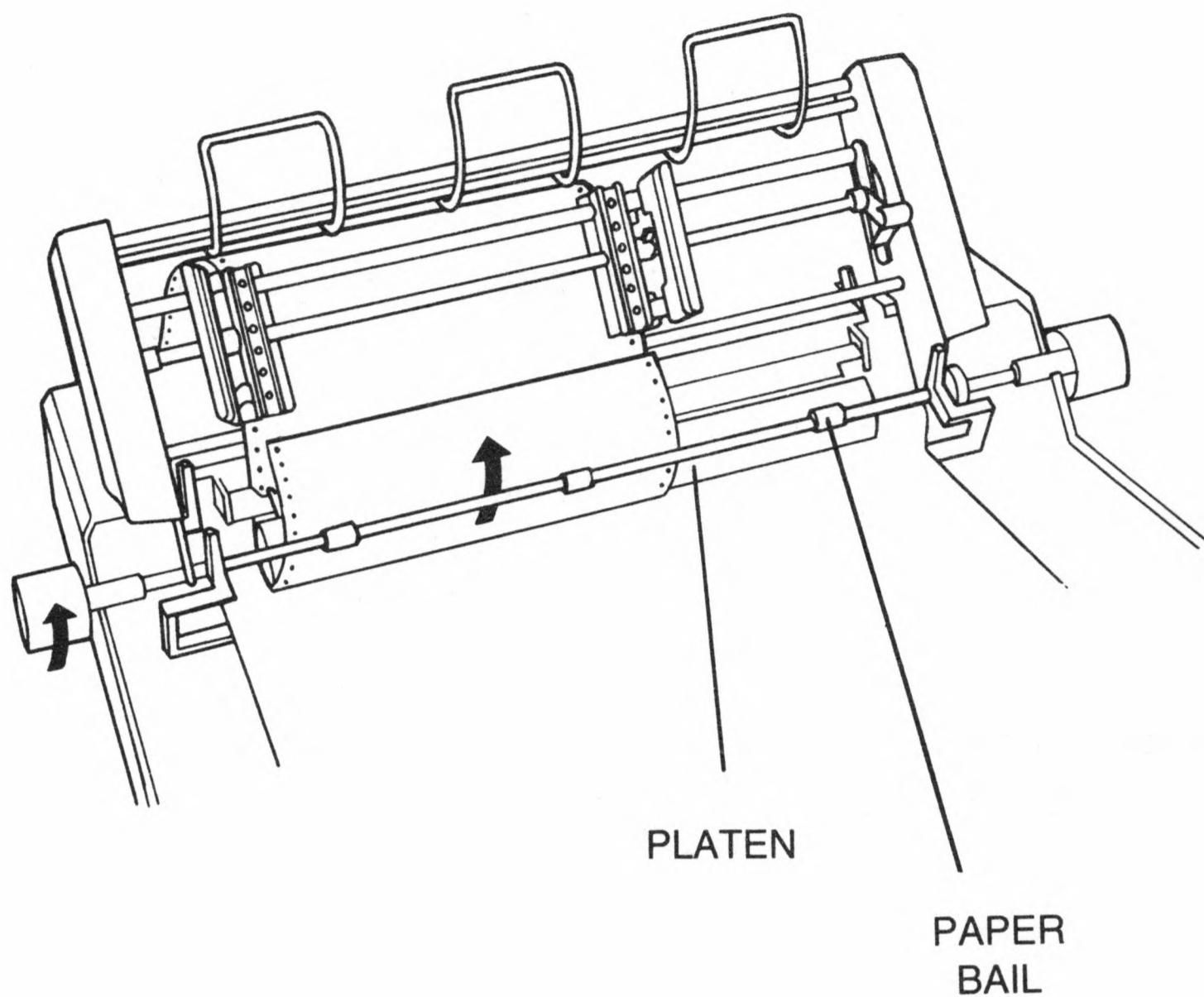
REAR  
GATE



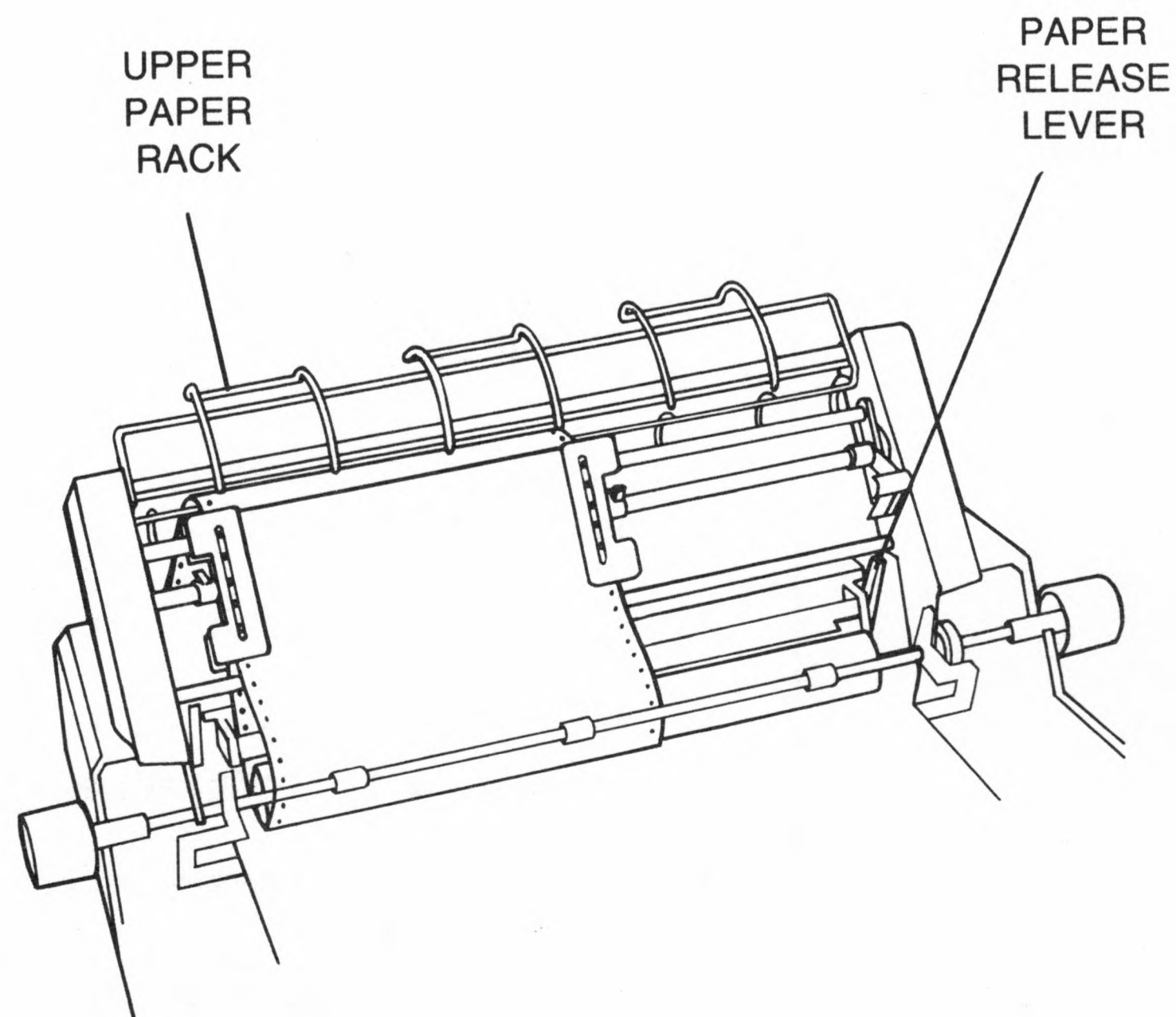
FRONT  
GATE

- \* Loosen left and right tractors by pressing down on locking levers.
- \* Open front tractor gates.
- \* Position tractors so that left edge of paper is aligned with left edge of platen.
- \* Push paper-release lever back. Pull paper bail forward. Push paper-tension lever all the way down. Pull upper paper rack forward.

- \* While turning platen knob, guide paper into both rear gates until tractor pins enter several holes.
- \* Turn platen knob again to advance paper around platen, and up between paper bail and platen, until it covers front tractor pins.



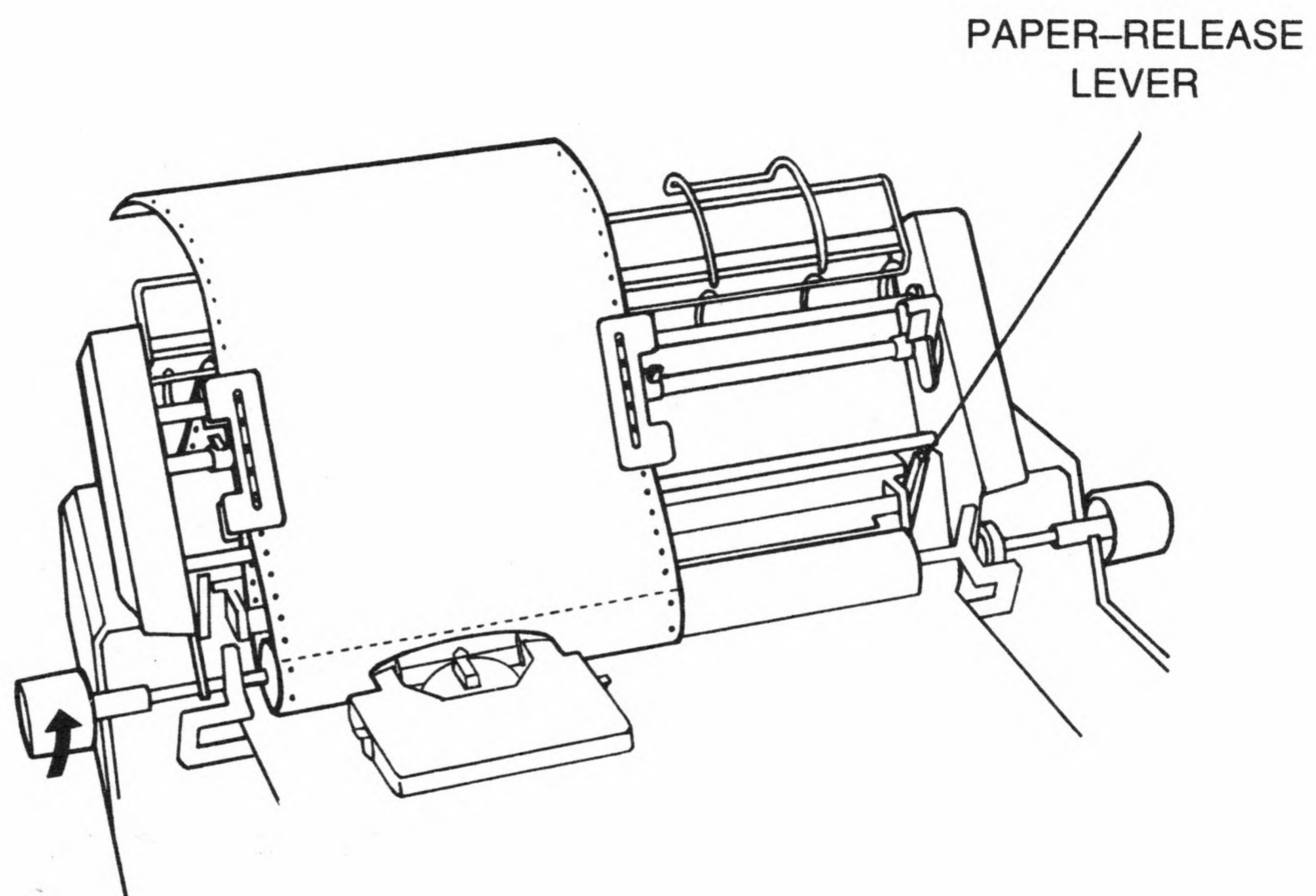
- \* Place paper in front tractors and close gates.



- \* Move upper paper rack backward. Pull printer paper release lever forward. Slowly push up on tension lever to tighten paper.

Do not let tractor pins stretch or rip paper holes.

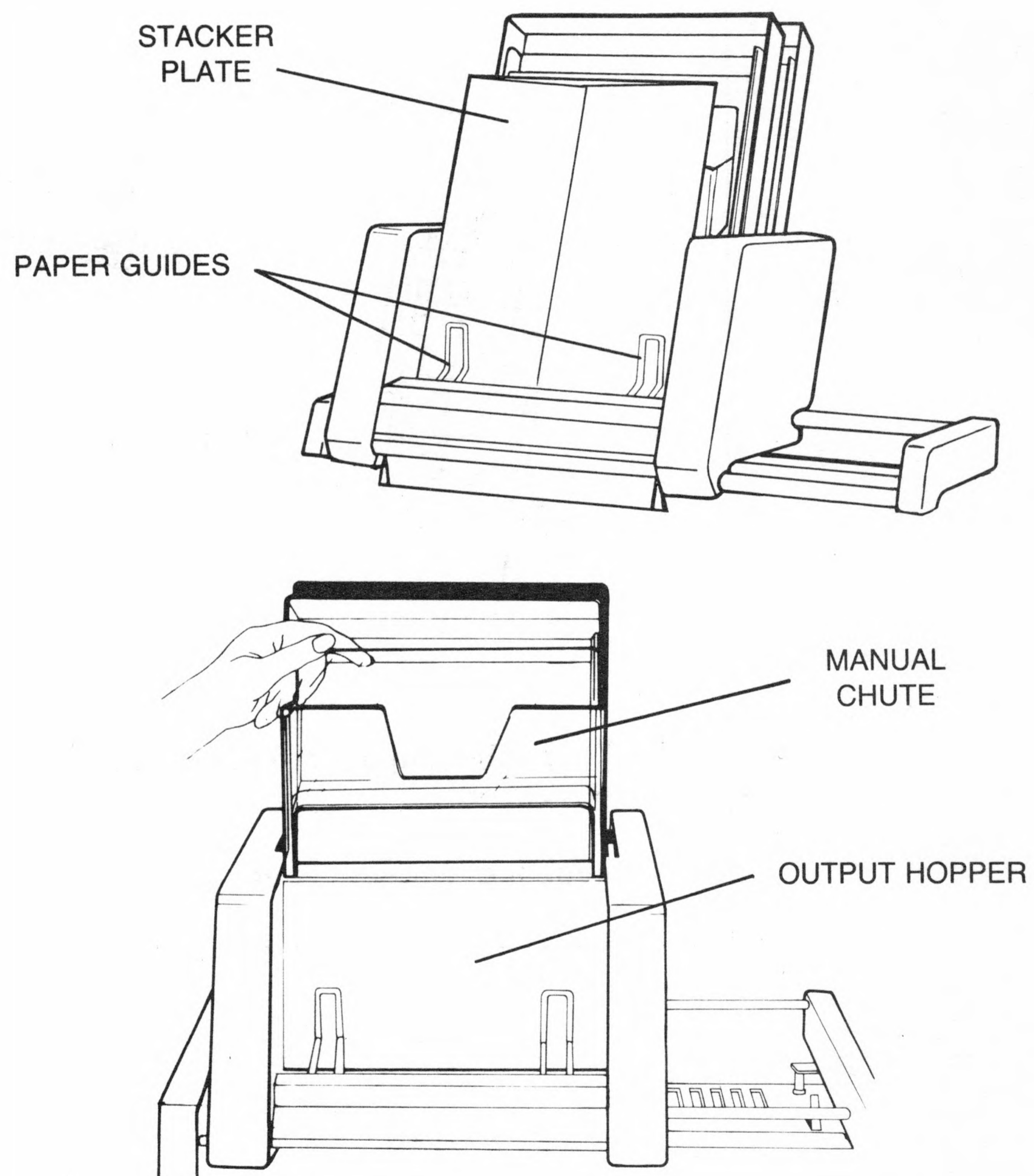
- \* Turn platen knob to advance paper to top of next page.



- \* Keep the paper-release lever in the forward position.
- \* Replace access cover.

## To load paper into Automatic Sheet Feeder

- \* Remove paper trays by tilting the top towards you until it clicks, and lifting upward.
- \* Fan paper. Flip through sheets to separate them. Align edges of sheets.
- \* Lay paper in tray. Press down on plate, and slide paper under corner separators.
- \* Insert the front and rear trays into either feed tray slot.
- \* Lower tray into slot and push top of tray backward until it clicks into place.



- \* Push manual chute down into its slot between output hopper and first feed tray.
- \* With smooth side facing forward, slide stacker plate down into output hopper so that bottom of plate is between paper guides and back of hopper.



**LA100** If you have purchased an LA100 printer, refer to the installation guide provided for instructions on installing paper and ribbons.



## Chapter 5 DECmate Operation

Immediately after you have installed your DECmate system, you must turn on and test your system.

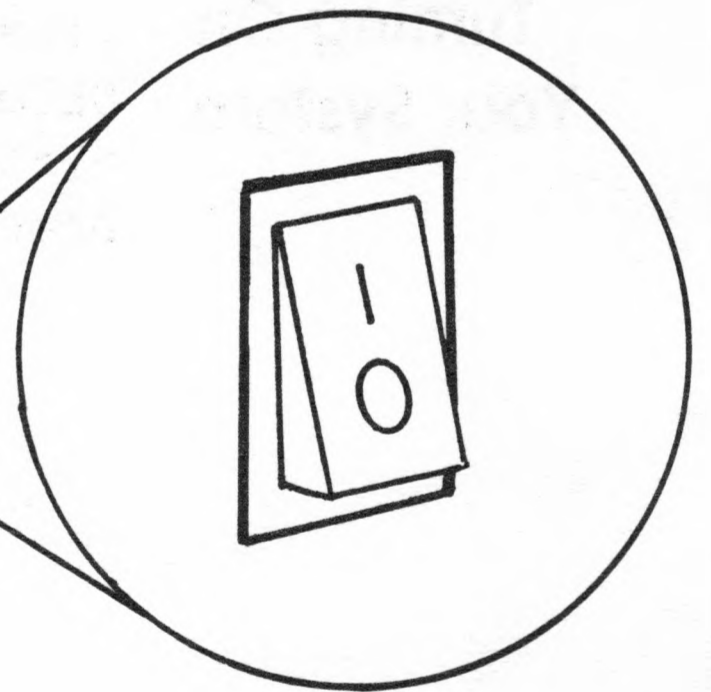
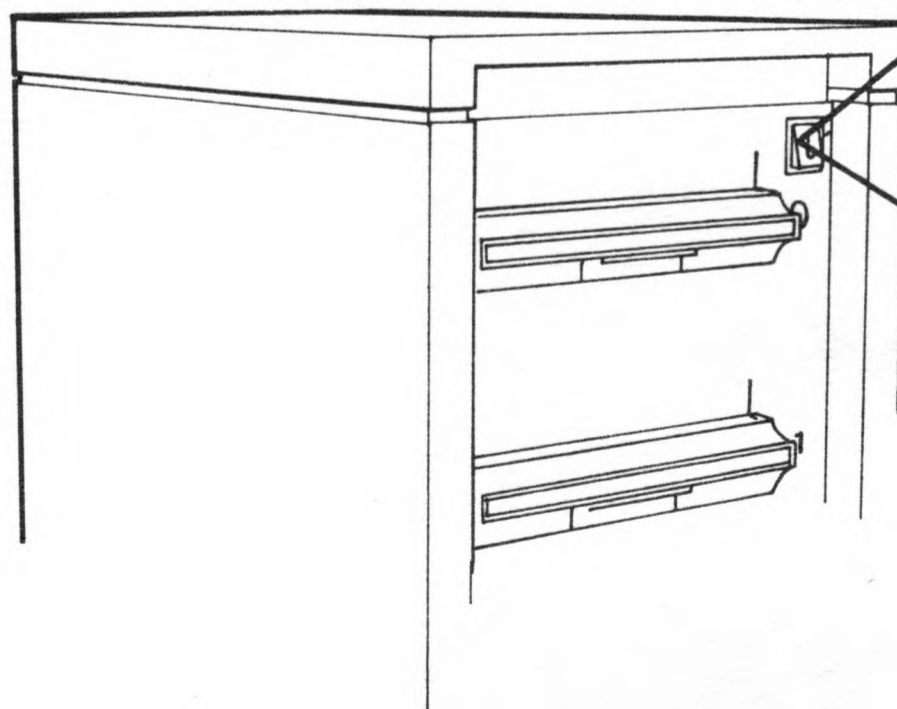
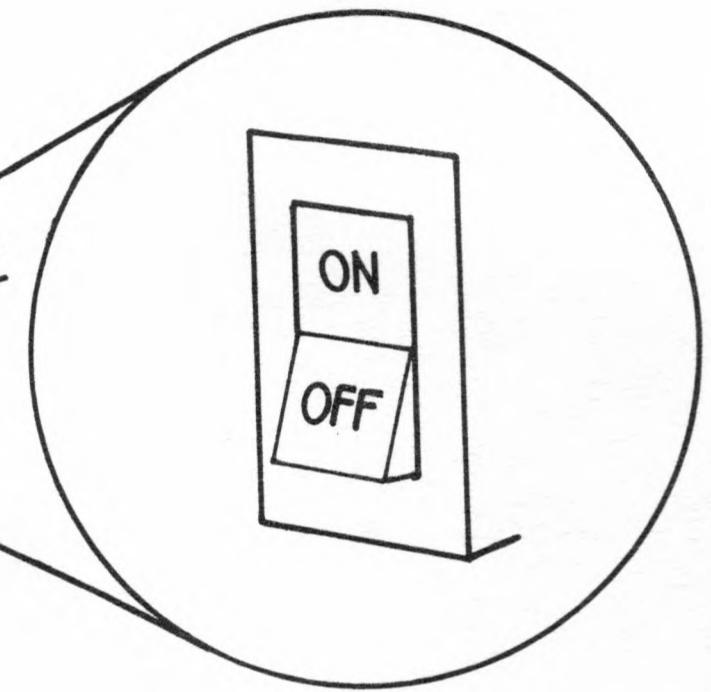
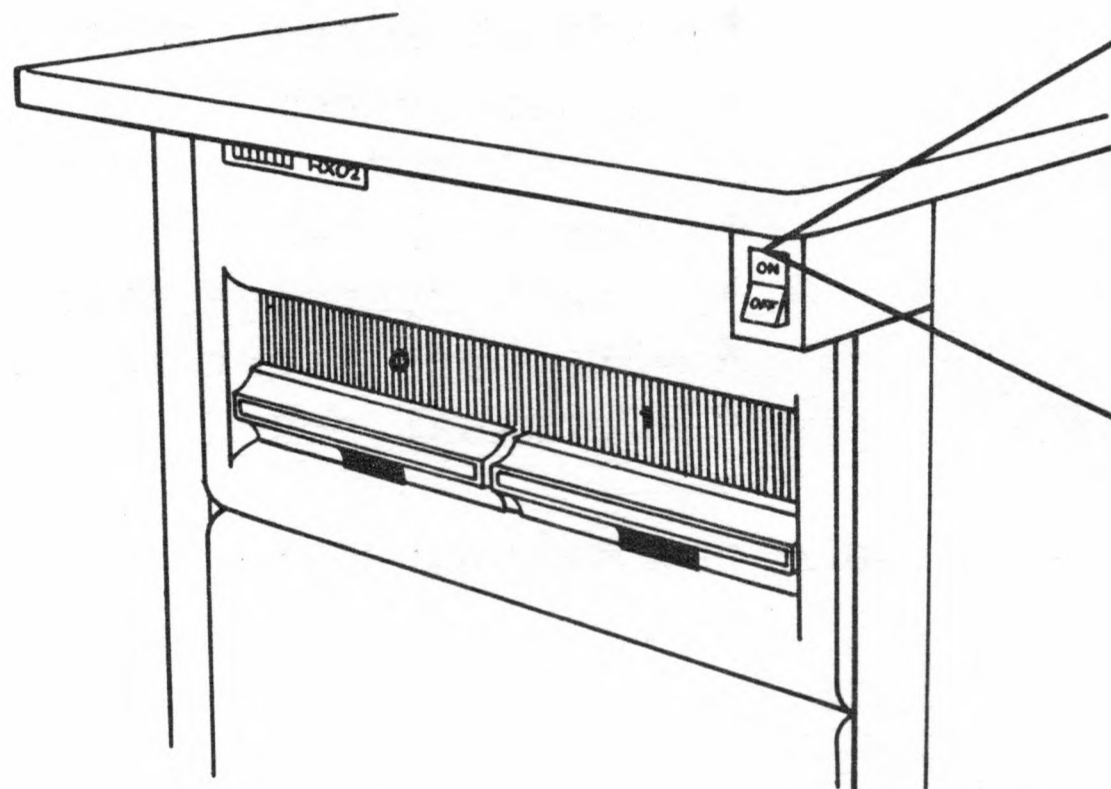
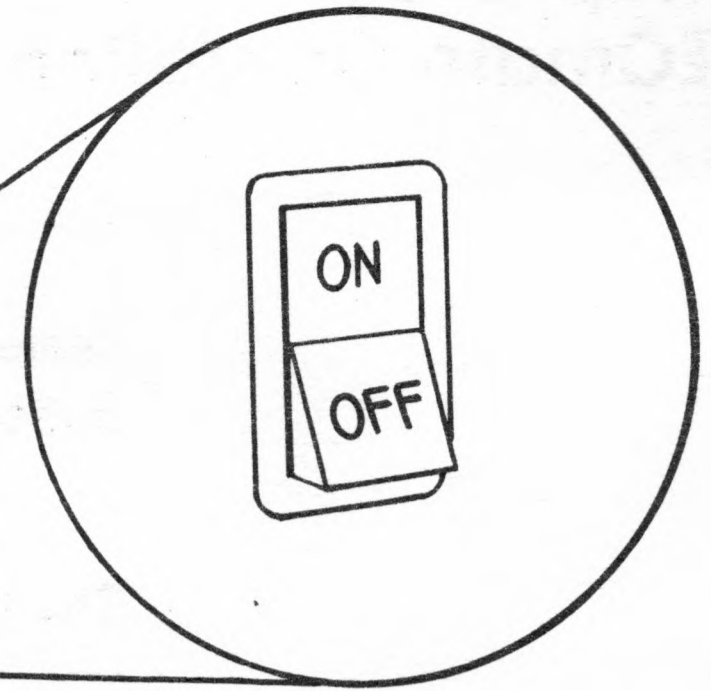
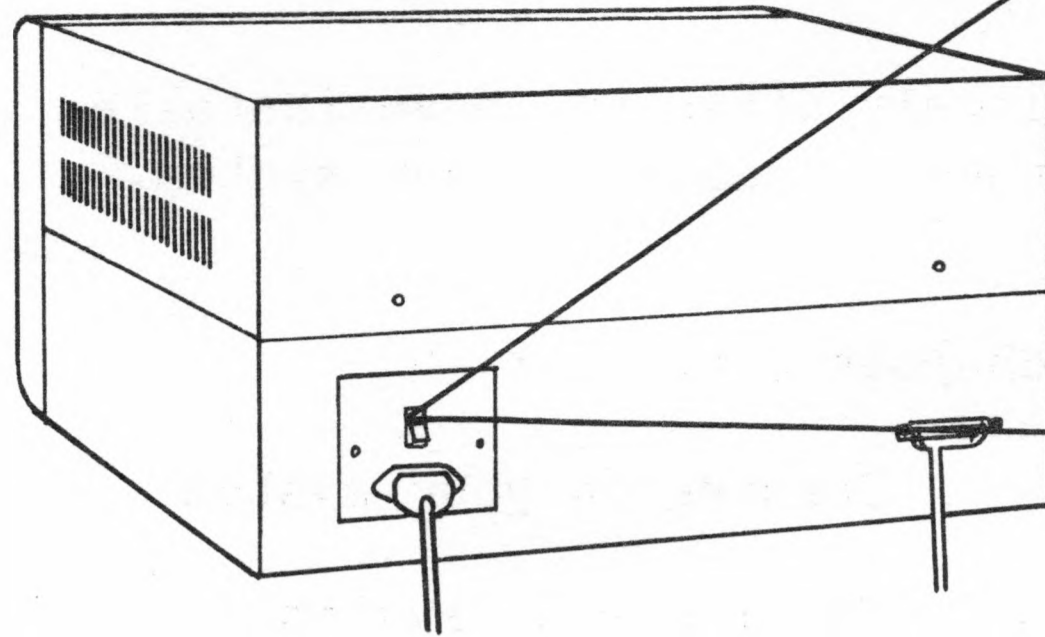
This chapter explains:

- Turning on your system
- Testing your system
- Set-Up Mode
  - \* Adjust screen brightness
  - \* Reset system
  - \* Local mode
  - \* Print screen
  - \* Start system software
  - \* Stop and start key click
  - \* Terminal mode
- Care and maintenance

### **Turning On Your System**

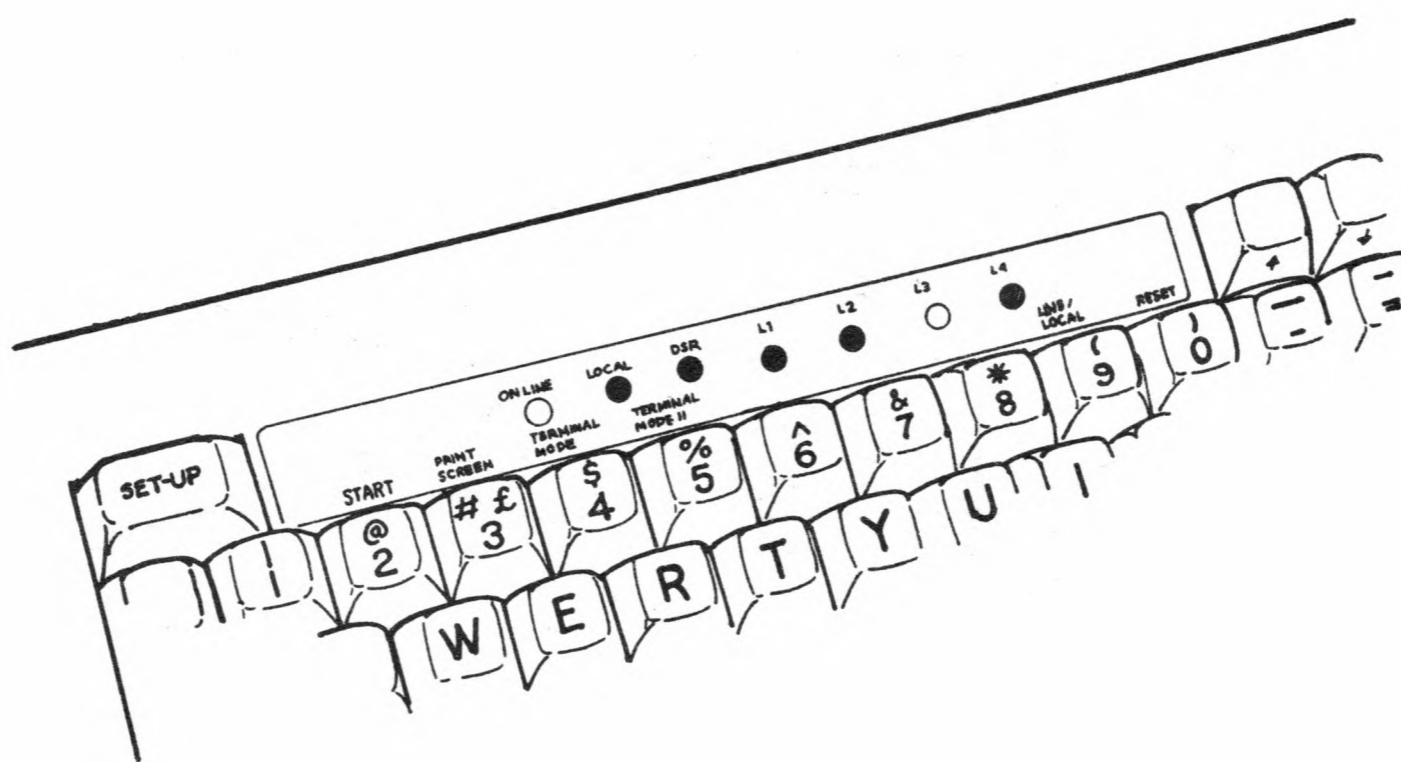
(The information included for turning on and testing your DECmate system deals with the Basic, Minidesk, and Pedestal systems. For RL02 Disk Drive turning on and testing procedures, refer to Chapter 6.)

BACK OF RX02 DISKETTE DRIVE UNIT



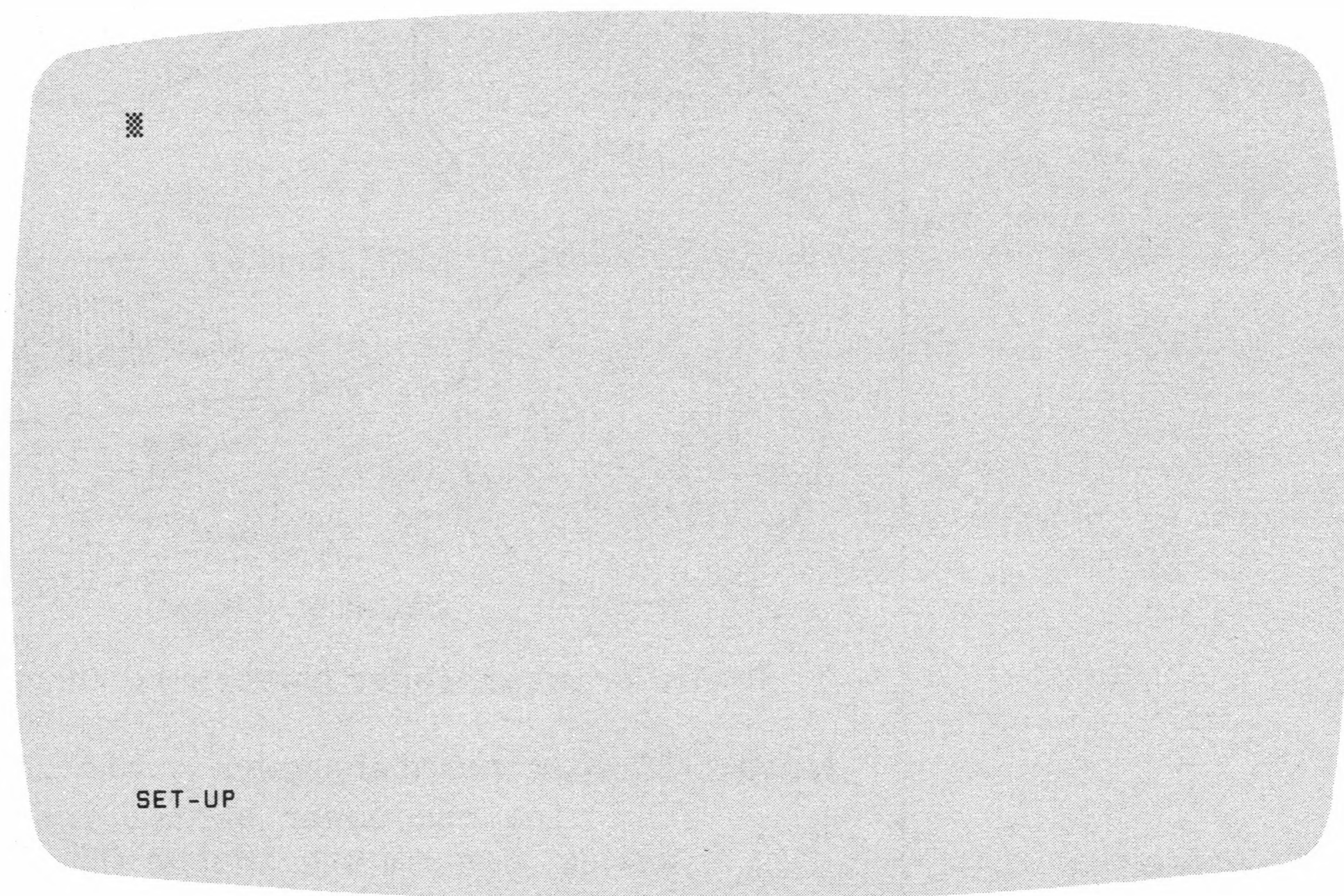
- \* Press power switches on back of terminal and RX02 Diskette Drive unit(s) to ON (1).
- \* Press main power switch to ON.

**Note** Expect to hear the system make clicking sounds after you turn the main power switch on.



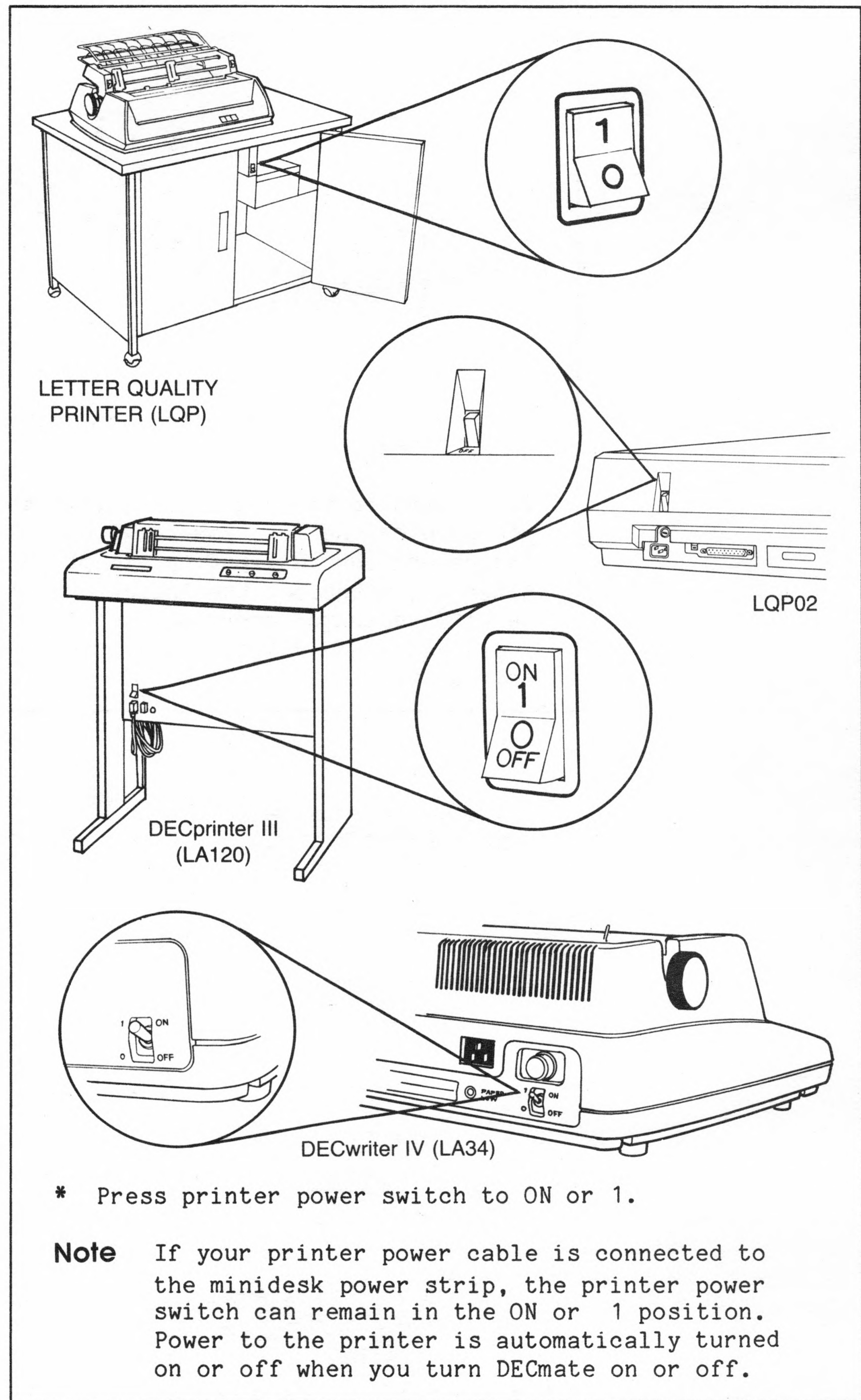
- \* Check keyboard indicators as system performs self-test.

The system performs a quick self-test every time you turn on the main power switch. All of the indicators should light up except ON LINE and L3. After a few seconds the indicators go off, and the ON LINE indicator comes on and stays on. This indicates a successful completion of the internal self-test.



After several seconds a rectangular, blinking "cursor" appears in the upper left corner of the screen. The word SET-UP appears in the lower left.

If any lights stay lit other than ON LINE, or the word Set-Up does not appear, refer to the section "Solving Problems" later in this chapter.



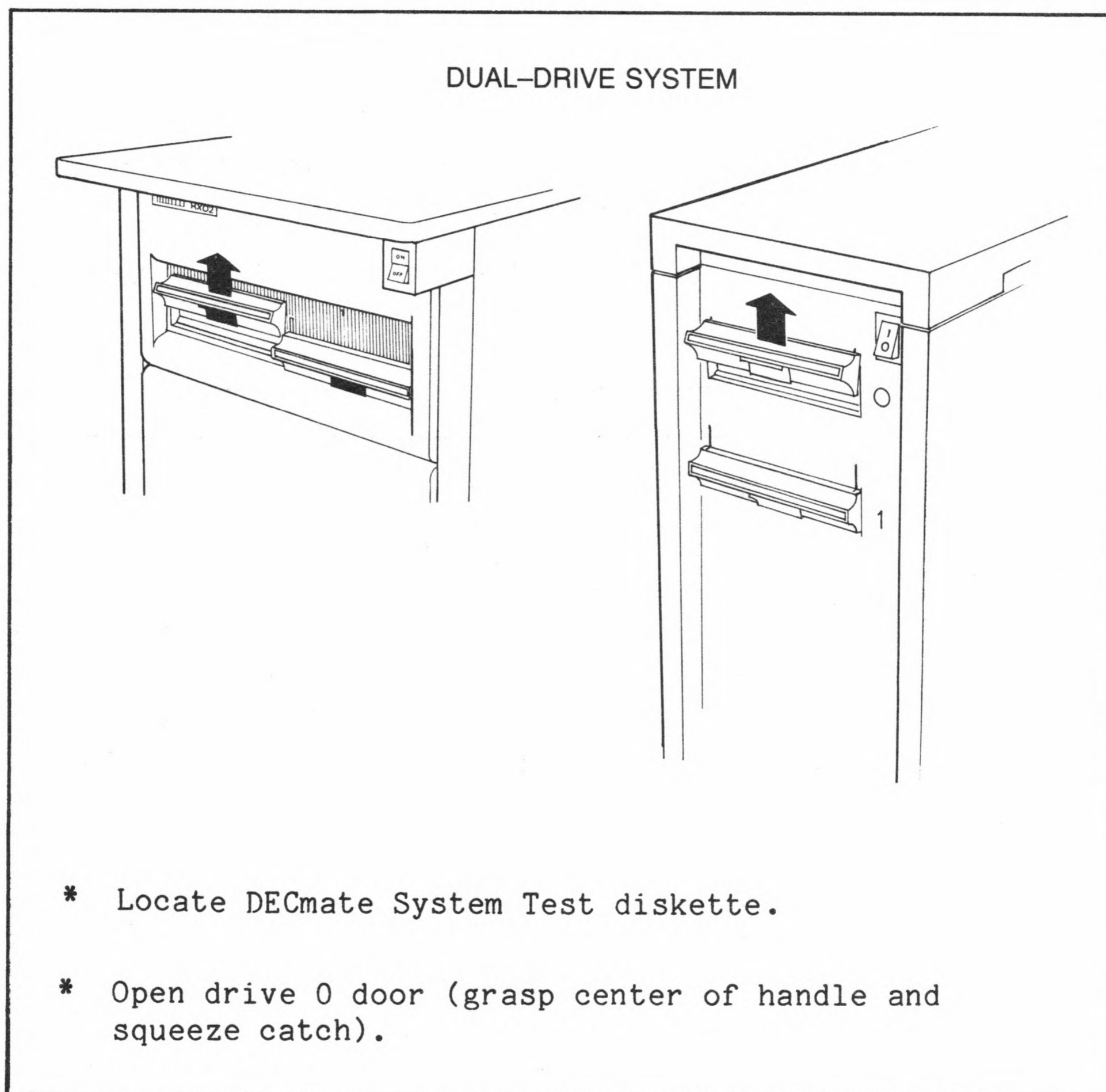
Turn to the next page to test your system.

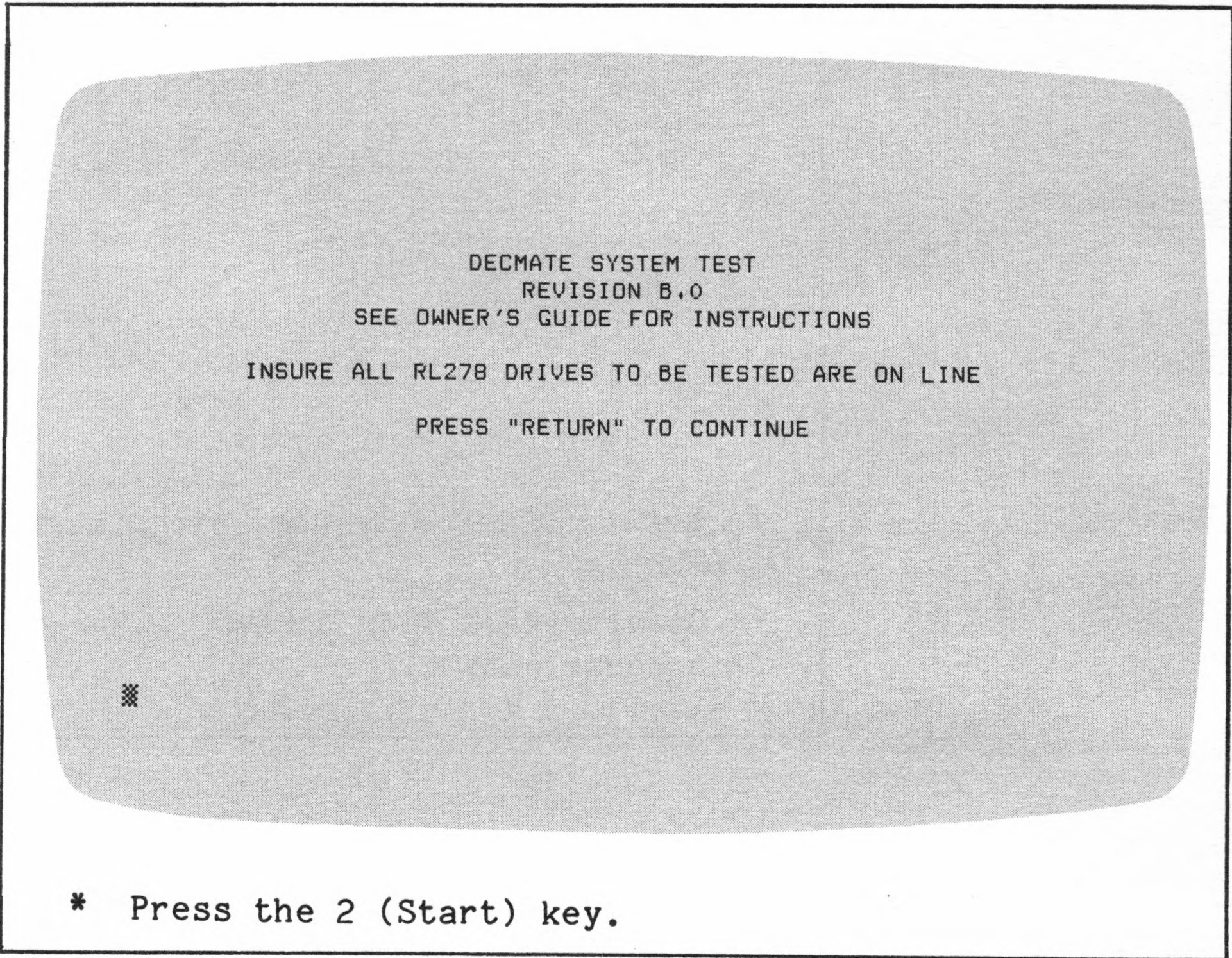
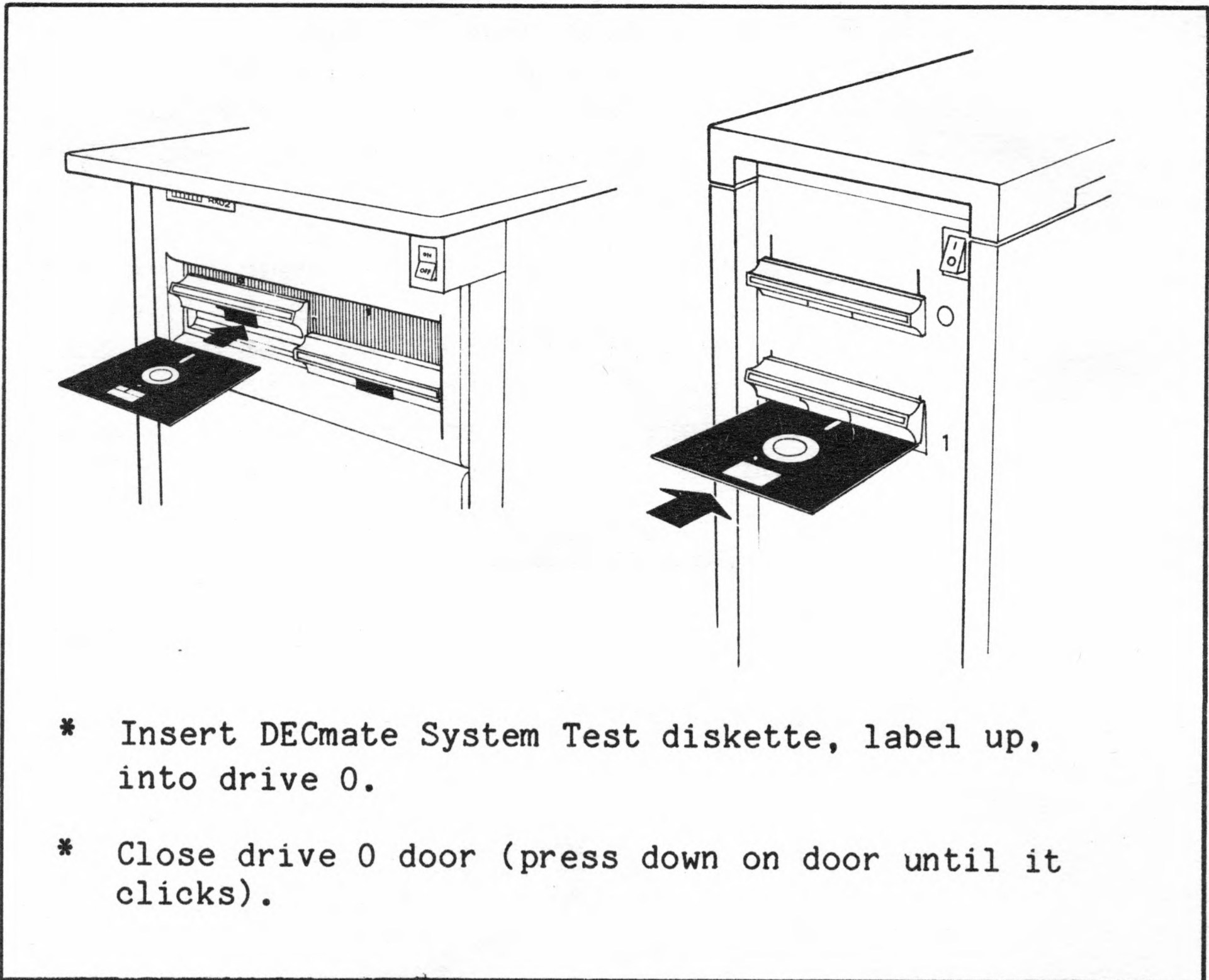
## Testing Your System

When to test your DECmate

- Test your DECmate immediately after installation.
- Test your DECmate whenever you think it may be malfunctioning. The test takes only a few minutes to run.

As you run the test, if your results differ from those given in the instructions, refer to the problem solving section at the end of this section. Complete the problem-solving section before reporting problems to the Customer Service Hot Line. However, should you run into a problem that does not allow you to continue testing, report it immediately.

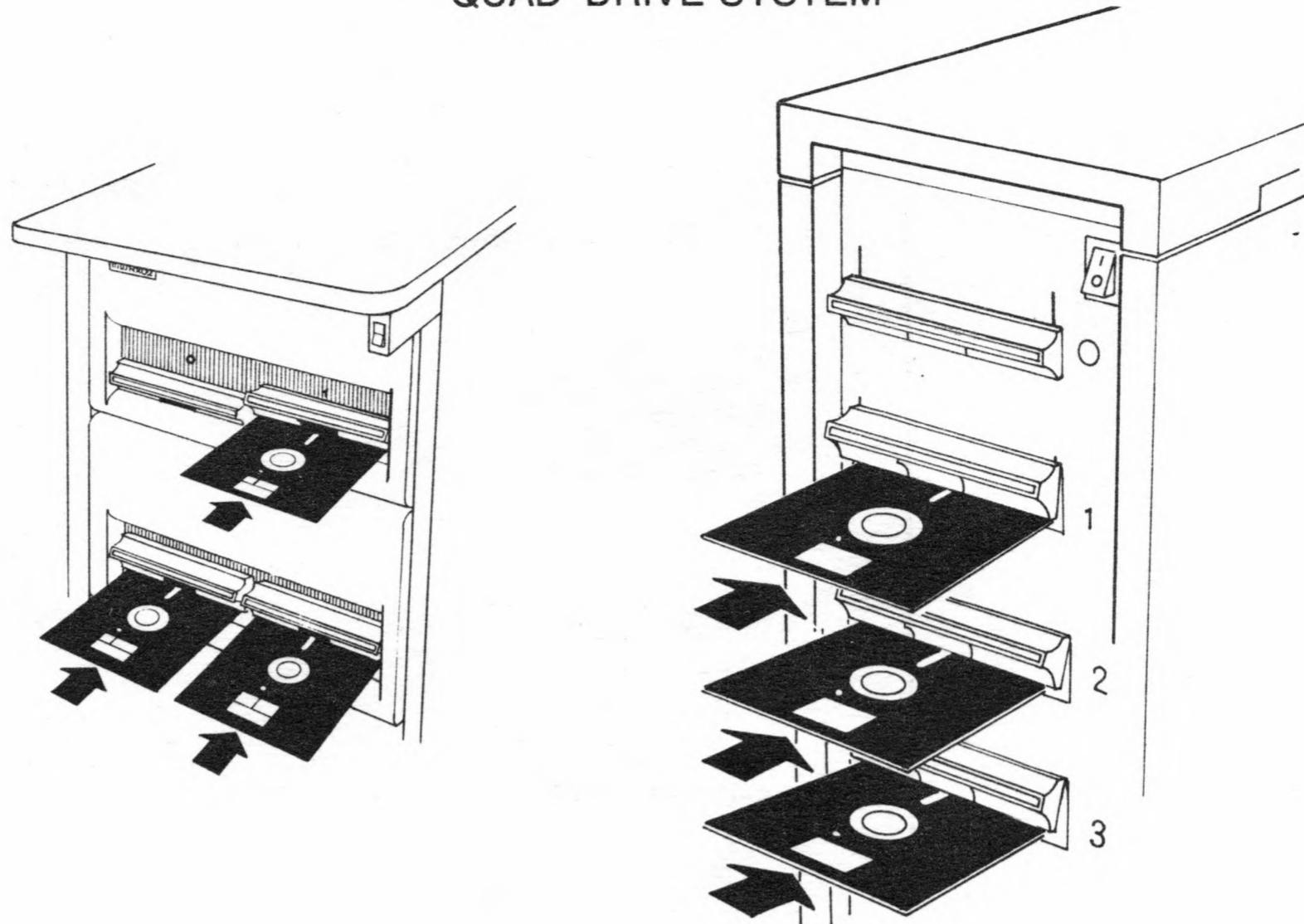




This display tells you the name of the test and its revision number.



## QUAD-DRIVE SYSTEM



- \* Locate blank diskettes that were packed with diskette drive unit(s).

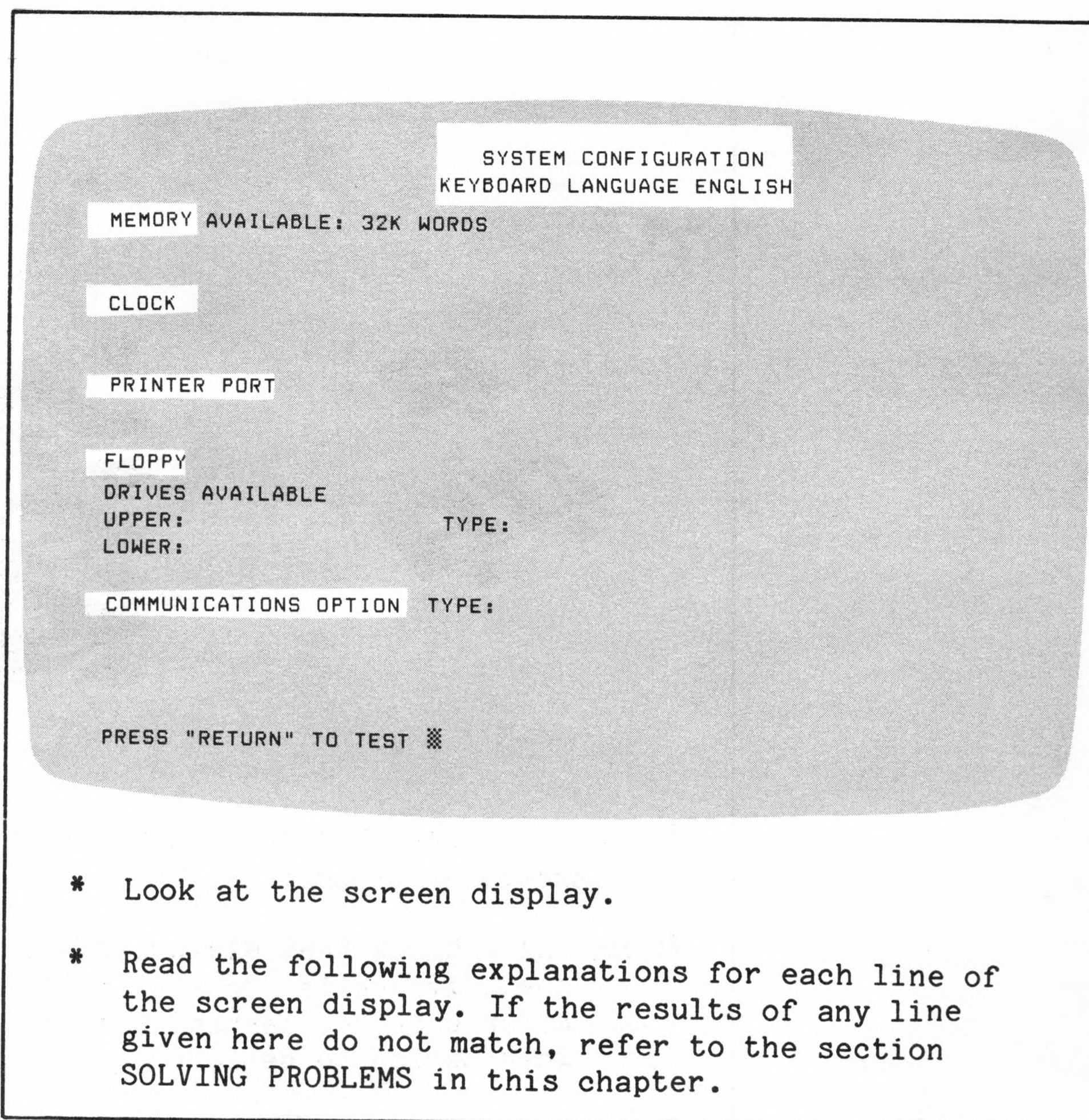
**Note** These blank test diskettes are used to test the drive units. Do not use them for any other purpose. Testing can cause valuable information to be lost.

- \* Insert blank diskette(s) into the empty drive(s).
- \* Close all drive doors.

### Run System Test Diskette

Having started the system and inserted the test diskettes, you are now ready to make DECmate test itself. Do not press any keys until instructions tell you to do so.

- \* Press RETURN.



#### SYSTEM CONFIGURATION

A heading.

#### KEYBOARD LANGUAGE

DECmate is sold in many countries and has a different keyboard for each language. This line of the display tells you the language for which your keyboard is designed. Be sure your keyboard language is appropriate.

#### MEMORY AVAILABLE

This line tells you how much memory your DECmate has. Make certain that the amount of memory is 32K.

## CLOCK

The terminal contains an electronic clock. When you enter a date and time, you set the clock. This line of the display indicates that your system clock will be tested.

## PRINTER PORT

You may have a printer connected to your terminal. If you do, the display identifies the printer for you.

Printer type:	Display:
Letter Quality Printer	LQP
DECwriter IV (LA34) Printer	LA34
DECprinter III (LA120) Printer	LA120

If you do not have a printer, nothing appears on the screen next to the word PRINTER.

## FLOPPY DRIVES AVAILABLE

UPPER:	TYPE:
LOWER:	

On a minidesk: The word UPPER refers to the top drive unit (dual-drive system). The word LOWER refers to the bottom drive unit (quad-drive system).

On a pedestal: UPPER LEFT refers to Drive 0, UPPER RIGHT refers to Drive 1, LOWER LEFT refers to Drive 2, and LOWER RIGHT refers to Drive 3.

If you have a dual-drive system, you should see BOTH next to the word UPPER and NONE next to the

**Note** Since empty drives are not tested, you should have a diskette in every drive.

If you do not have a diskette in each drive, put them in now. Close all drive doors. Hold the CTRL key down, and press the SET-UP key. Next, release the CTRL key and press the 2 key. The test restarts and your screen should display the correct words next to UPPER and LOWER.

This portion of the screen display also identifies your drive unit. Most DECmate systems have RX02 drive units. Next to the word TYPE you should see either RX02 or RX01. Make sure that the name displayed on your screen matches the name on your drive unit(s).

#### COMMUNICATIONS OPTION

If your DECmate system has the communications option, the type of option is displayed. There are two communications option types: Type A and Type B.

If you do not have the communications option, the word NONE appears.

#### RL278 DRIVES AVAILABLE

If your DECmate system has an RL02 disk drive, this line indicates the number of drives (0 and 1) available.

#### PRESS "RETURN" TO TEST

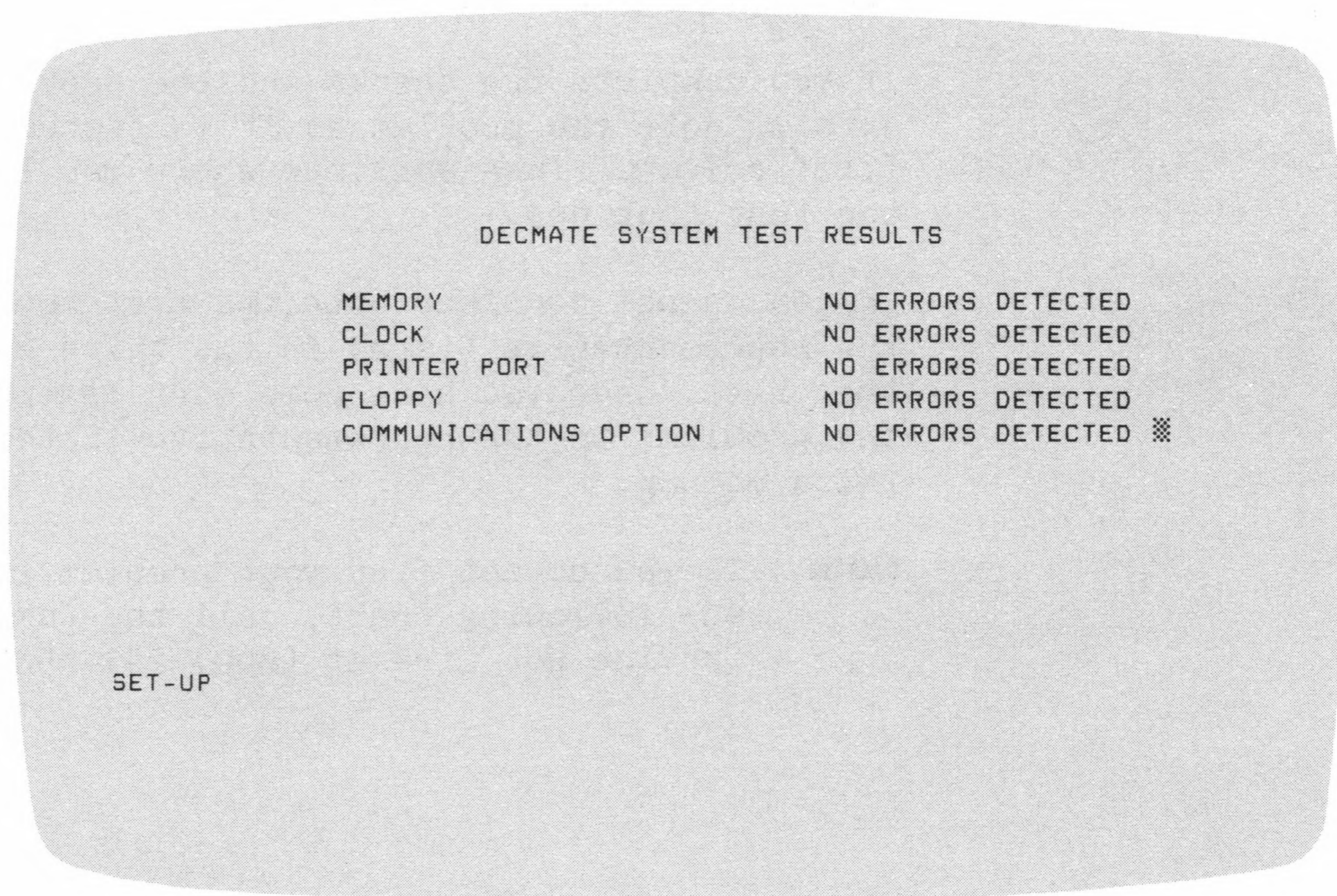
This line of the screen display is an instruction.

\* Press RETURN.

The test begins, and the following occurs:

- A new screen display appears.
- The word RUNNING in the lower-left corner of the screen indicates the test is in progress.
- DECmate makes clicking sounds.
- If you have a printer attached, it prints several lines of characters.

The test takes approximately one minute. When finished, the following displays:



\* Remove the System Test diskette and all other diskettes from the drives.

You have now completed testing your DECmate system.

#### **If You Found No Errors**

Your DECmate is ready to operate with your purchased software. If you have purchased an application package, refer to the owner's manual provided. If you have purchased Word Processing Software, refer to the DECmate System Overview (EY-0026E-ES) and the DECmate Word Processing Startup Guide (AA-L924A-TA).

#### **If You Found Errors**

If ERRORS DETECTED appears next to the name of the malfunctioning component, go to the subsection, SOLVING PROBLEMS on the next page.

Read the section Set-Up Mode in this chapter to learn how to make necessary adjustments to your terminal, such as adjusting screen brightness, stopping and starting key click, and others.

## SOLVING PROBLEMS

Use this section to solve simple problems that can occur during the test routines.

If you complete the checks and the problem still exists, note the problem as it is stated in the first column. Then continue where you left off in the test routines.

If you cannot continue with the test routines, call the representative listed in the third column of the chart. Once you have completed testing, report any problems to the representative listed in the third column.

**Note** If you do not find your problem listed in the following chart, call the Customer Service Hot Line at (800) 241-6580.



Description of Problem	What to Check or Do to Correct the Problem	Who to Call
<p>Printer does not start when the main power is turned on.</p>	<ul style="list-style-type: none"> <li>* The keyboard cable should be plugged into the back of the terminal.</li> <li>* The printer power switch should be in the ON or 1 position.</li> <li>* You should be able to hear the system's fans and see the cursor and word SET-UP on the screen.</li> <li>* If you have the cabinet, check to make sure that the printer power cord is plugged into the cabinet power strip.</li> <li>* If you do not have the cabinet, be sure that the printer power cord is plugged into a wall socket.</li> <li>* The printer's fuse should not look burned, nor should the filament in the fuse be broken.</li> </ul>	<p>Customer Service Hot Line (800) 241-6580</p>
<p>You hear a rapid clicking sound after pressing the 2 key.</p>	<ul style="list-style-type: none"> <li>* The System Test diskette should be in drive 0.</li> <li>* The drive 0 door should be closed.</li> <li>* Insert System Test diskette into drive 0 if it is not already there. Be sure you are putting diskettes into the drives correctly. (See the subsection entitled Turning System On.) Close drive 0 door. While holding the CTRL key down, press the SET-UP key. When you see SET-UP and the cursor, press the 2 key.</li> </ul>	<p>Customer Service Hot Line (800) 241-6580</p> <p>Customer Service Hot Line (800) 241-6580</p>



Description of Problem	What to Check or Do to Correct the Problem	Who to Call
<p>The first screen display described in this chapter does not appear.</p>	<p>* Press main power switch to OFF. Then press it to ON. After the word SET-UP appears, press the 2 key.</p> <p>DO NOT press any other keys. The first screen display should appear.</p>	<p>Customer Service Hot Line (800) 241-6580</p>
<p>An inappropriate keyboard language is displayed.</p>	<p>* This condition must be corrected by the appropriate service representative.</p>	<p>Customer Service Hot Line (800) 241-6580</p>
<p>The amount of memory displayed is not 32K.</p>	<p>* This condition must be corrected by the appropriate service representative.</p>	<p>Customer Service Hot Line (800) 241-6580</p>
<p>The word CLOCK is not shown in the screen display.</p>	<p>* This condition must be corrected by the appropriate service representative.</p>	<p>Customer Service Hot Line (800) 241-6580</p>
<p>You have a printer connected to your system, but its name is not displayed next to the word PRINTER.</p>	<p>* Check to be sure that the printer cable is connected correctly.</p> <p>* The printer power cable should be connected to both the printer and to the cabinet power strip (or, to a wall outlet, if you do not have the cabinet).</p> <p>* The printer power switch should be turned on.</p>	<p>Customer Service Hot Line (800) 241-6580</p>



Description of Problem	What to Check or Do to Correct the Problem	Who to Call
<p>You purchased the Communications Option but you do not see TYPE A or TYPE B displayed.</p> <p>ERRORS DETECTED appears in the last screen display.</p>	<ul style="list-style-type: none"> <li>* Check your purchase agreement to be certain the Communications Option was ordered.</li> <li>* If the Communications Option was ordered, remove the cable shield on the back of the terminal. There should be two ports, one labeled COMM 0 and one labeled COMM 1.</li> <li>* If ERRORS DETECTED appears on your screen, write down the name that is shown on the same line and to the left of the words ERRORS DETECTED.</li> </ul>	<p>If your purchase order shows that you ordered the Communications Option and you do not have the two ports labeled COMM 0 and COMM 1, call your Sales Representative.</p> <p>If you do have the two communications ports and the type is not displayed, call your DIGITAL Sales representative.</p> <p>Customer Service Hot Line</p>

**Set-Up Mode** Your DECmate terminal has many special Set-Up functions such as:

- \* Adjust screen brightness
- \* Reset system
- \* Local mode
- \* Print screen
- \* Start system software
- \* Stop and start key click
- \* Terminal mode

The Set-Up functions can be used after you put DECmate into Set-Up Mode.

**Caution** The functions Reset System, Start System Software, and Terminal Mode must be used carefully. See specific functions for details.

**Enter and Exit Set-Up Mode** There are two ways to enter Set-Up Mode.

1. When you turn DECmate on, the system automatically enters Set-Up Mode.
2. You can enter Set-Up Mode while the system is running by holding down the CTRL key, then pressing the SET-UP key. The last line of information on your screen disappears and is replaced by the word SET-UP. Once in Set-Up Mode, you can use any of the following functions and features.



To exit Set-Up Mode, see the following sections.

### Set-Up Mode Functions

**Adjust screen brightness** To make the characters on the screen brighter, enter Set-Up Mode and press the ▲ key. The characters increase in brightness a little each time you press the ▲ key.

To reduce the brightness of the characters, enter Set-Up Mode and press the ▼ key. The brightness decreases a little each time you press the ▼ key.

When the system's power is turned off, the degree of brightness returns to average the next time you use the system.

**Note** You can also get a rapid brightness change by holding down either the  or  keys.

To leave Set-Up Mode, press the SET-UP key. You are returned to where you were before you used this function.

### **Reset system**

The system performs a self-test each time you turn on the power. The keyboard indicators light up when you start the system. The momentary lighting of the keyboard indicators tells you that the self-test is being performed.

To reset the system, enter Set-Up Mode. Then press the 0 (zero) key. When the self-test is complete, you automatically return to Set-Up Mode.

**Caution** Do not use this function unless your work is stored on your diskette. Any information displayed on the screen when you start the self-test is permanently lost.

### **Local Mode**

To test any of the numeric, alphabetic, or character keys on the keyboard, use Local Mode.

To enter Local Mode, first enter Set-Up Mode and press the 9 key. The light labeled LOCAL at the top of your keyboard should be the only one lit. Press the SET-UP key; the word Set-Up disappears from the bottom of the screen. You are now in Local Mode. Any characters you type will appear on the screen.

To exit Local Mode, enter Set-Up Mode (hold the CTRL key down, then press SET-UP).

**Note** Local Mode does not record what you type on the keyboard onto a diskette. Also, what you type does not affect a software application program you may be running when you enter Local Mode.

**Print screen** To quickly print what appears on your terminal screen, use Print Screen. Enter Set-Up Mode, then press the 3 key. Whatever is displayed on your screen is printed. DECmate stays in Set-Up Mode until printing stops. While the screen is being printed, an interference pattern appears repeatedly. This is normal and indicates that the information on the screen is being sent to the printer. If printing does not start, check for proper printer set-up and cabling (see Chapter 3).

When printing is complete, exit Set-Up Mode by pressing SET-UP.

**Note** Some nonstandard (non-ASCII) characters printed may not match the characters displayed on the screen.

**Start system software** You start your system from Set-Up mode. When you start the system, the system begins the software program on the diskette in drive 0. This procedure is frequently referred to as "bootstrapping" or "booting" the system. Restart the system every time you put a different system diskette into drive 0.

To start or restart the system, enter Set-Up Mode. (Hold down the CTRL KEY AND PRESS SET-UP.)

ONCE IN SET-UP MODE:

- Press the 2 key to start a diskette-based system.
- Press the 6 or 7 key to start an RL02 disk-based system. See Chapter 6 for a full explanation of these two keys.

**IMPORTANT:** Do not restart your system when you are in the middle of a software application program. Valuable information can be lost if you do.

**Stop and Start Key Click** To stop the keys from clicking as you type, enter Set-Up Mode and press the 8 key.

To restart the key click, enter Set-Up Mode and press the 8 key again.

To leave Set-Up Mode, press the SET-UP key.

**Terminal Mode** Terminal Mode is a special mode of operation that lets your DECmate "communicate" with other computers. Terminal Mode is discussed in detail in Chapter 7.

## Care and Maintenance

- Points to remember**
- \* Make copies of your work every day. Always copy your diskettes after using them to avoid losing valuable information. Since each software package has its own method for copying diskettes, refer to the appropriate operator's manual for instructions.
  - \* Turn your system off. After storing (filing) your work, remove all diskettes from the drives and put them in their protective paper jackets and diskette boxes. Then press main power switch to OFF (or, if you have a Basic DECmate System, turn off the terminal and drive unit power switches individually).
  - \* Never move the terminal, drive unit, or printer while they are operating.
  - \* If a power failure occurs while you are using DECmate, turn off the system. When power is restored, turn the system back on and restart the software.

**Care of Your DECmate System** The DECmate system requires very little care. However, to prevent unnecessary damage you should:

- \* Keep the area around your DECmate system clean. Don't drop cigarette ashes or spill liquids on the keyboard.
- \* Keep small objects and liquids away from the system.
- \* Clean the terminal screen with glass cleaner. Power must be OFF when cleaning the screen.
- \* Clean the exterior surfaces of the system using a soft cloth and a mild detergent. The cloth should not be sopping wet during cleaning and the power to all components of the system must be OFF.
- \* Do not cover the terminal ventilation slots by stacking books and papers on top of the unit.

**Care of Diskettes** Diskettes are easily damaged. When handling them, take the following precautions:

- \* Store diskettes in their protective paper jackets when they are not mounted in the diskette drives.
- \* Store diskettes that are not being used immediately in their box. Keep no more than 10 diskettes in a box.
- \* Do not expose diskettes to direct heat, sunlight, or cold.
- \* Do not use magnets or magnetized objects near diskettes. Exposure to a magnetic field can cause loss of data.
- \* Place identification labels on new diskettes in the same location as that used on the diskettes you received with your DECmate system. Never place labels one on top of another.
- \* Use only fiber tip pens to write on labels already placed on a diskette.
- \* Do not use erasers on diskette labels or surfaces.
- \* Do not use rubber bands, paper clips, or any other type of fastener on diskettes.
- \* Hold diskettes by the corners near the diskette labels. Touching the diskette surface can cause errors or loss of information.
- \* Never try to clean the diskette surface with any type of solution.
- \* Do not fold or bend diskettes.
- \* Do not place heavy books on diskettes.
- \* Never force a diskette into a diskette drive. If you have difficulty, check to be sure a diskette is not already in the drive.
- \* Avoid eating or drinking in areas where diskettes are used or stored.



## Care of RL02 Disk Drive units

- \* To maintain the RL02 disk drives clean the exterior surfaces of the disk cabinets using a soft cloth and a mild detergent. The cloth should not be sopping wet during cleaning and the power to the disk cabinet must be OFF.

Do not try to clean the inside of the disk chamber yourself.

## Care of RL02 Disks

You may have already read the rules for handling diskettes. There are similar rules for handling disks. These rules help keep the disk and the disk drive clean and prevent damage.

- \* Never touch the surface of the disk. When you take the lid off the disk, you can sometimes see the brown surface of the actual disk. Hold the disk only by its housing.
- \* Do not touch anything inside the disk compartment of the disk drive. When you raise the hatch of the disk drive, you can see the internal components that read the surface of the disk.
- \* Keep dust out. Never leave the disk's lid off the disk except when the disk is inside the disk drive. Never leave the disk drive's hatch open.
- \* Keep foreign matter away. When you have a disk or a disk drive open, do not eat, drink, or smoke. Ashes or other matter can contaminate the delicate parts of the disk drive and cause it to fail.
- \* Never force anything. The controls of the RL02 disk drive sometimes lock. For instance, the RL02 may prevent you from raising the lid if the disk is not ready to come out. If a lever does not seem to want to move, do not force it; instead, wait a few seconds before trying again or find out the cause.

## Chapter 6 RL02 Disk Systems

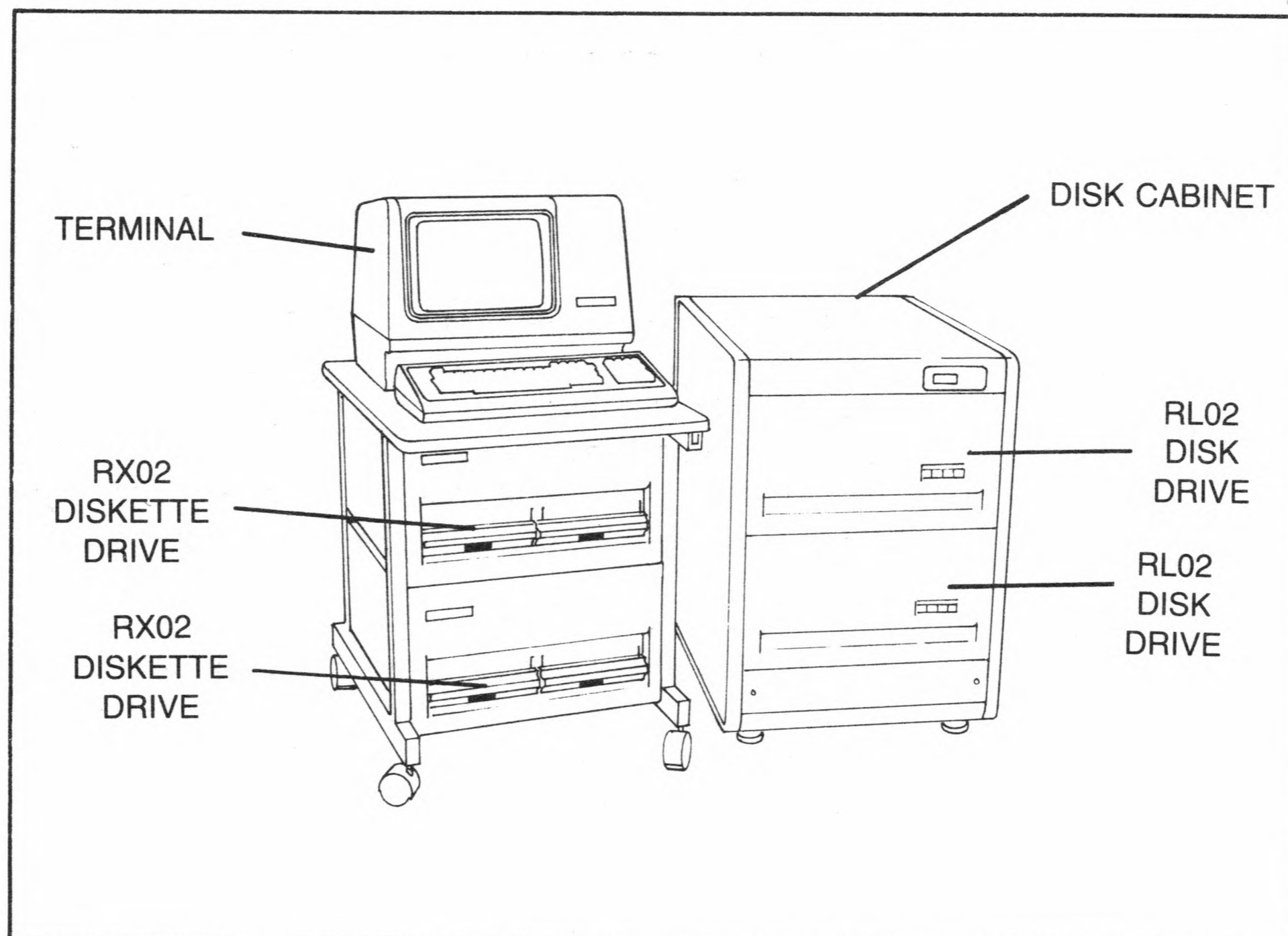
### Installation note:

If you have a Disk-Based DECmate, Digital's field service personnel will unpack and install it. Do not open any shipping cartons. Digital's field service personnel will do the entire installation.

### This chapter discusses:

- Overview of the RL02 disk system
- Turning on the system
- Installing and removing a disk
- Operating your DECmate RL02 system
- Testing your DECmate RL02 system
- Disk drive buttons

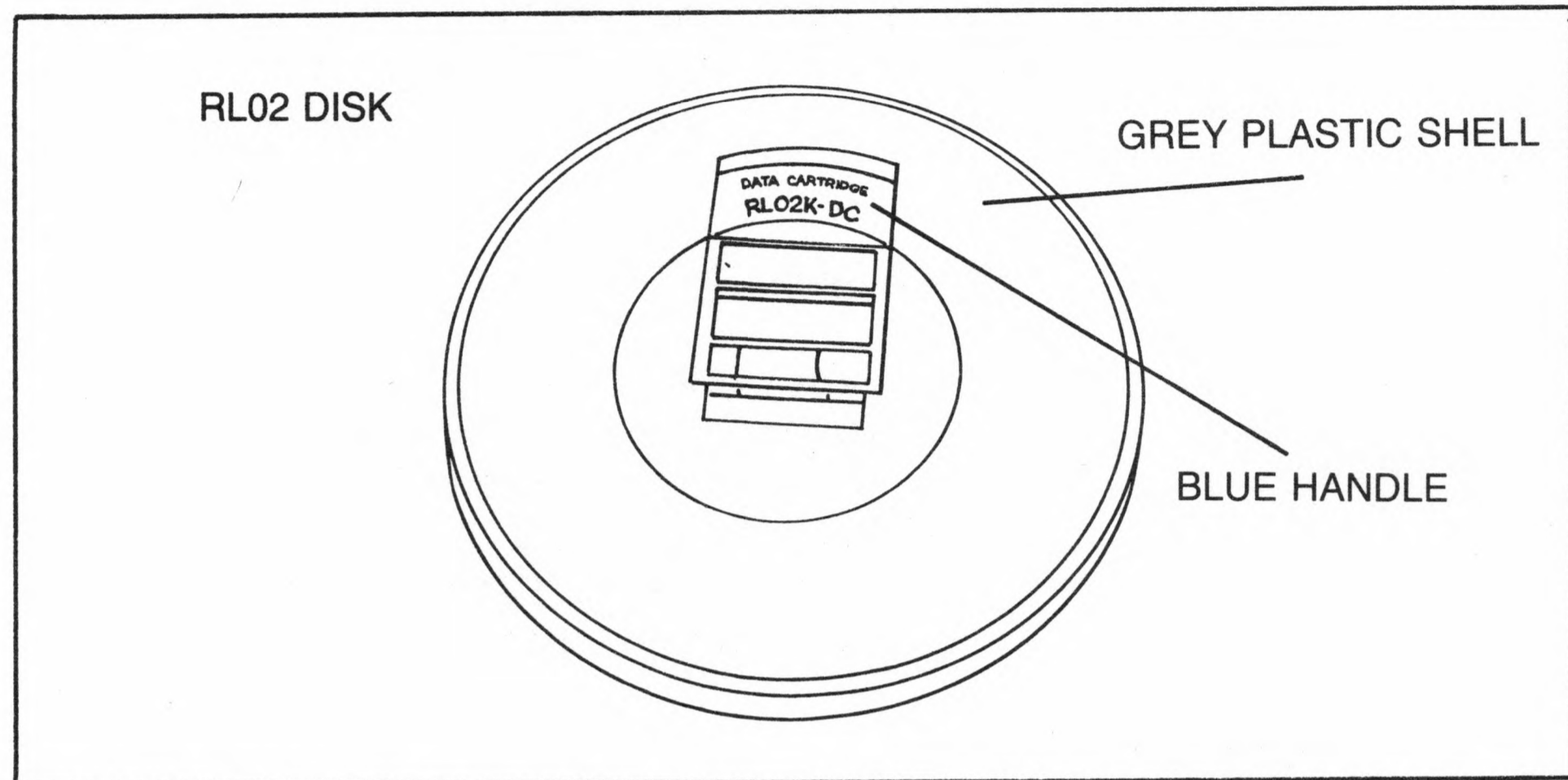
### Overview



An RL02 Disk Drive unit can also work with a pedestal system.

The RL02 occupies a cabinet separate from the terminal. A single disk cabinet can contain one or two RL02 drives.

A disk, like a diskette, is a storage medium. The RL02 disk drive lets you efficiently store large amounts of text or other information on disks. Each disk can hold up to ten million characters of information. You can order a DECmate with up to two RL02 disk drives. A DECmate with two RL02 drives can store 20 million characters of information or about 800 pages of text.



Disks for the RL02 have a grey plastic shell with a blue handle.

A disk is much larger than a diskette and therefore can hold a greater amount of information. Disks, because they are capable of holding large amounts of information, are often multifunctional. For instance, one disk might be a system disk as well as a test and information holding disk.

An RL02 disk can store 20 times as much information as a diskette can. Also, disks spin faster than diskettes. Although the disk has a higher speed and capacity than the diskette, it is also a more delicate instrument.

You must follow the procedures discussed in this chapter whenever you install, remove, and use disks.

## Turning On the Unit

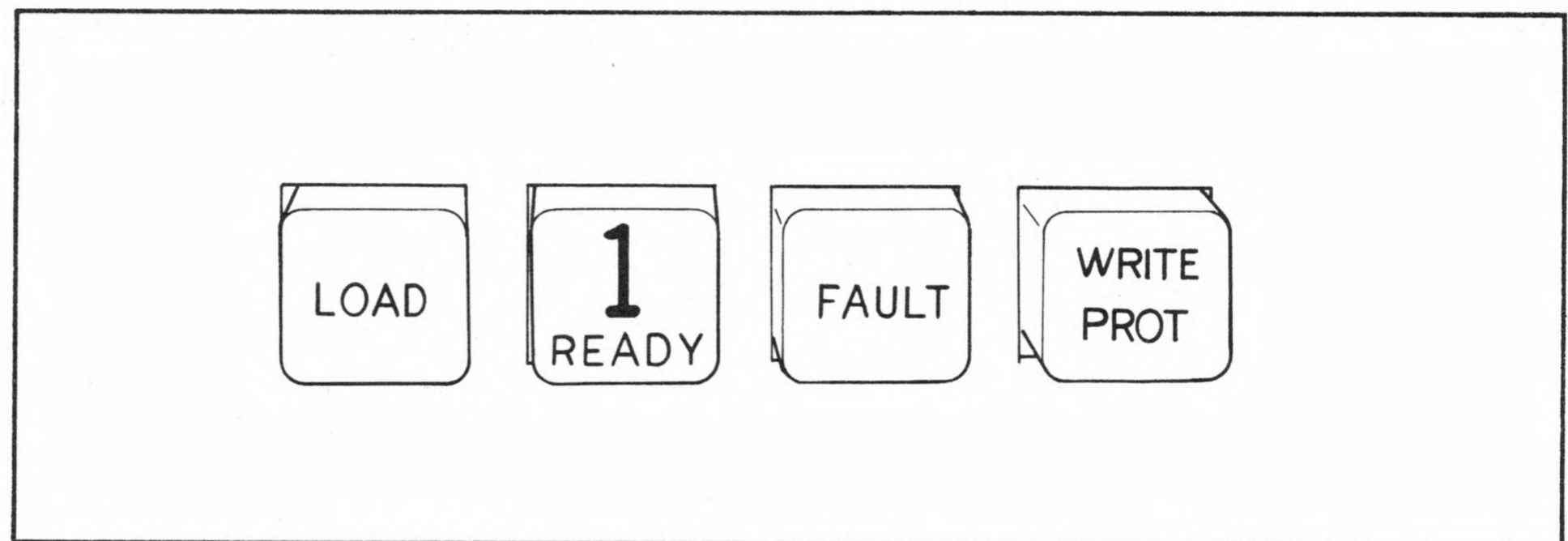
The first step in using the DECmate with RL02 is to apply power to all its components.

If your system has a minidesk or a pedestal, you can apply power to the terminal and diskette drives by using the main power switch.

- \* Press the main power switch to ON.
- \* If you do not have a minidesk or a pedestal, turn on the terminal and diskette drive unit power switches individually.

The power switch for the RL02 disk drives is in the upper-right corner of the disk cabinet. This switch applies power to all the RL02 drives in that cabinet.

- \* To turn on the cabinet, press the part of the switch marked 1.



Notice the group of four buttons on the front of each disk drive. The white READY button has a number on it that identifies the disk drive numbers:

- The 0 button identifies drive RL0
- The 1 button identifies drive RL1

The yellow buttons marked LOAD and WRITE PROT are also switches. If you press them, they lock into position. Pressing them again releases them. Neither switch should be pressed now.

Note that the LOAD light on each drive is lit.

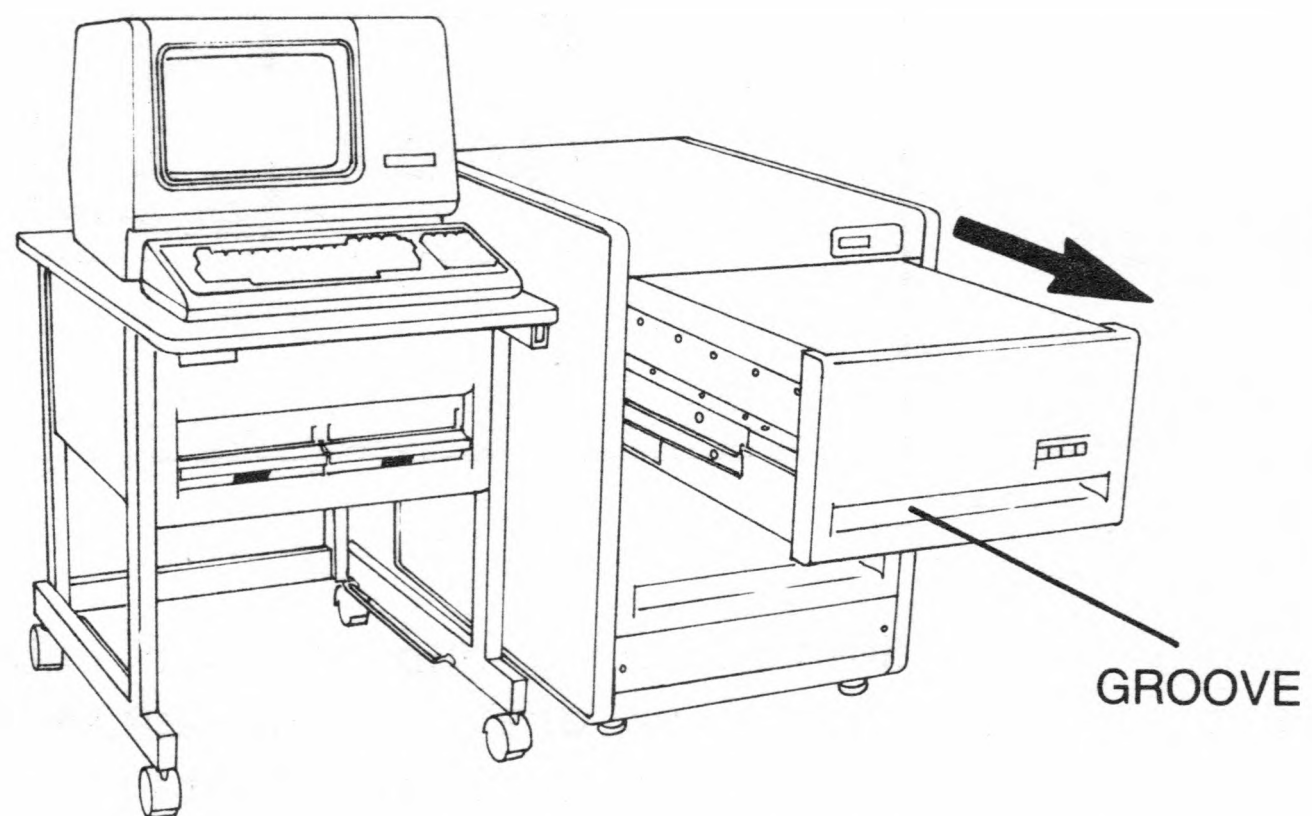
## Installing and Removing a Disk

### Installing a Disk

To gain access to the information stored on a disk, you must install it in a disk drive. There are five steps to installing a disk:

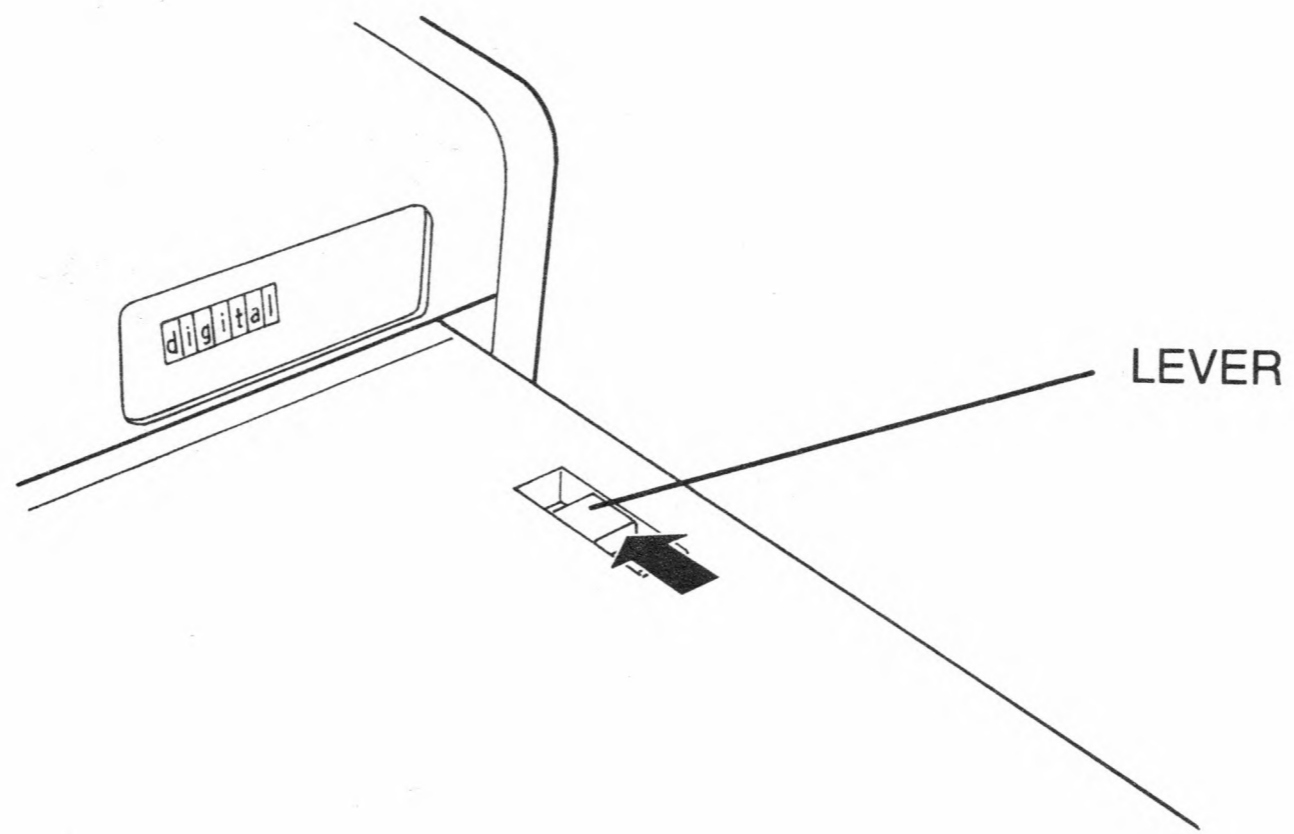
- Open the disk drive
- Remove disk cover
- Put the disk in the disk drive
- Close the disk drive
- Start the disk rotating by pressing the Load button.

- \* Open the disk drive. The LOAD light must be lit.
- \* Based on the numbered white READY button, select the disk drive where you want to put the disk.

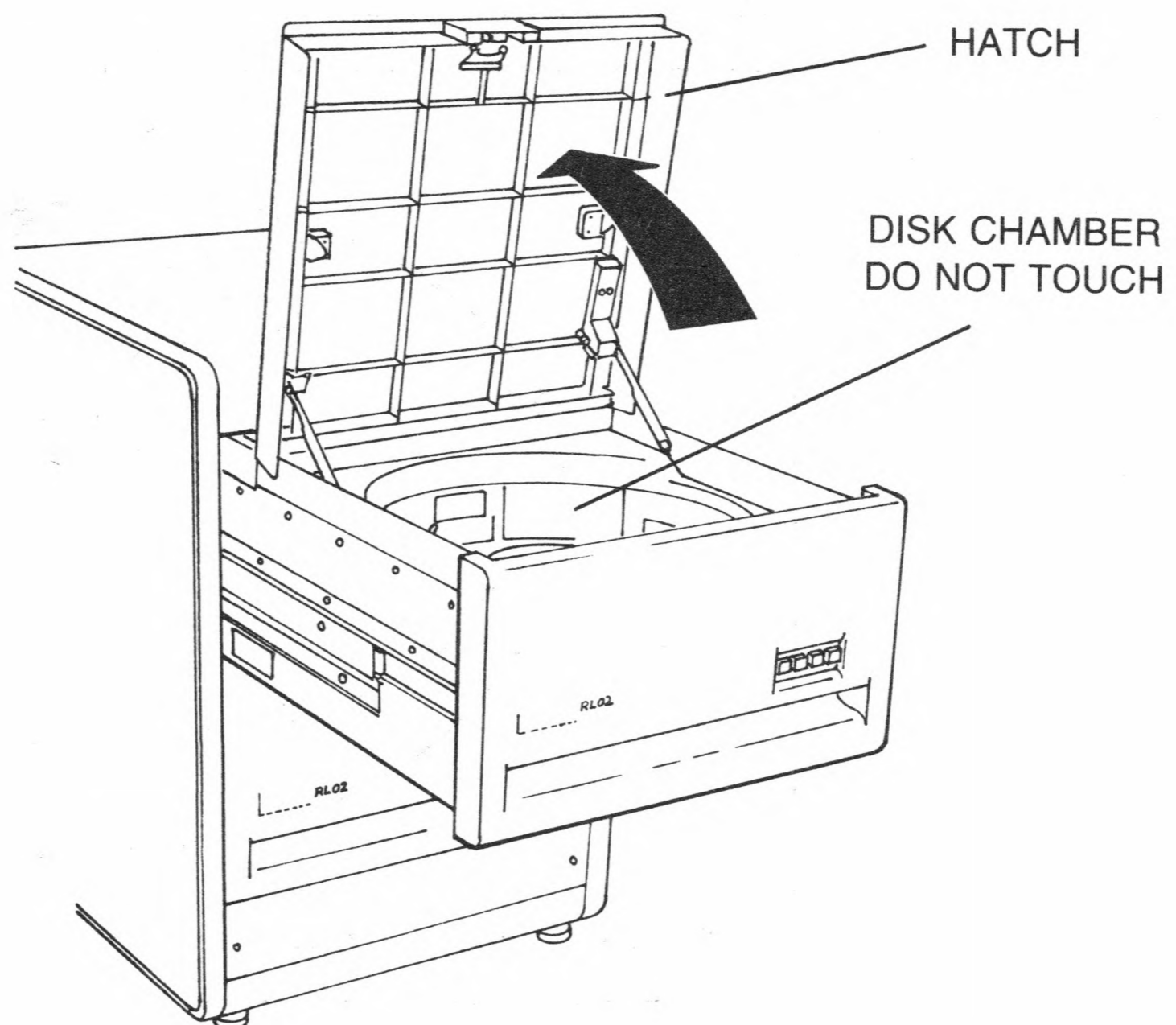


- \* Grasp the groove in the front of the disk drive and pull the drive toward you until it stops moving freely.

**Note** To make sure the cabinet is stable, both drives should never be in this forward position at the same time.

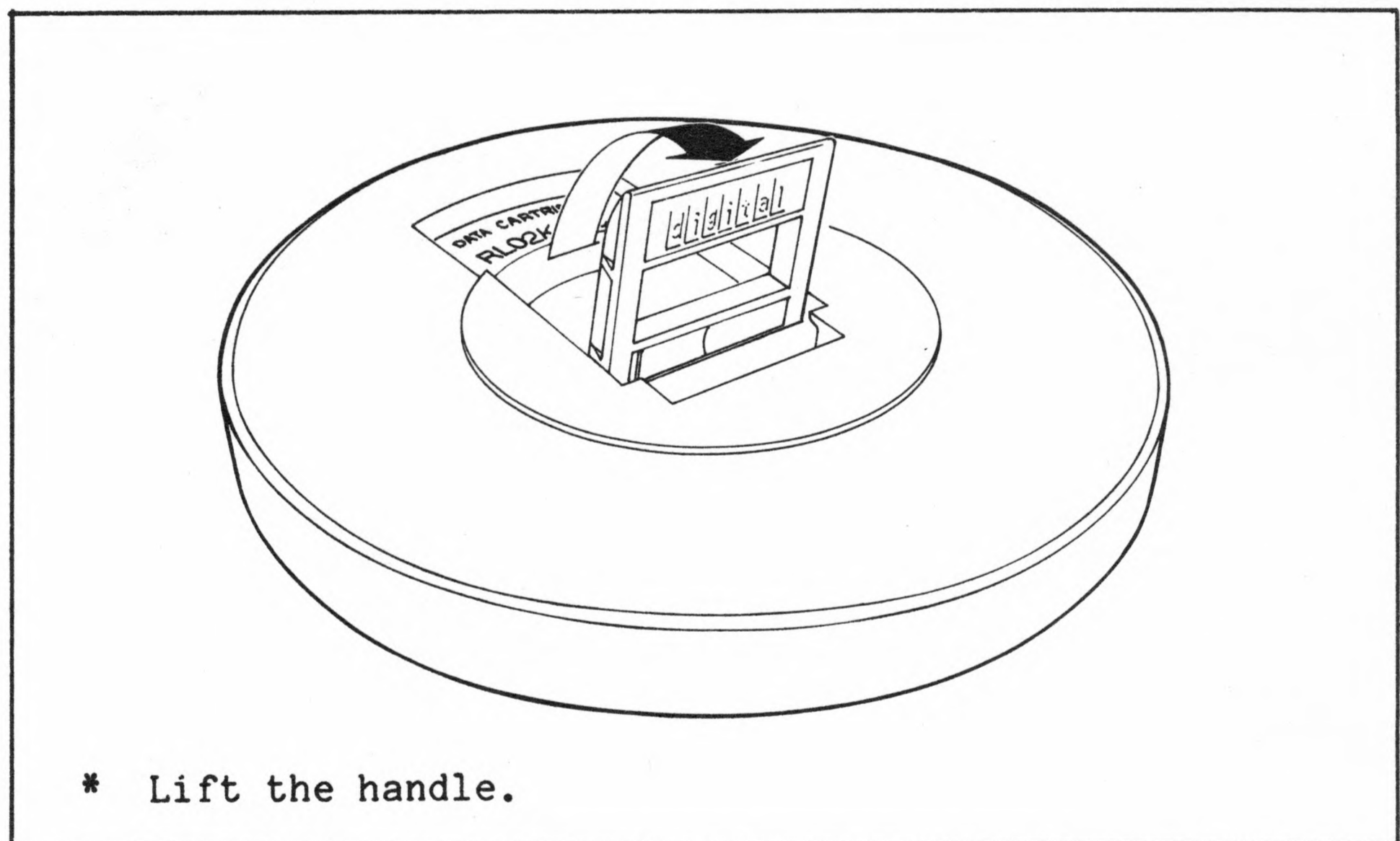
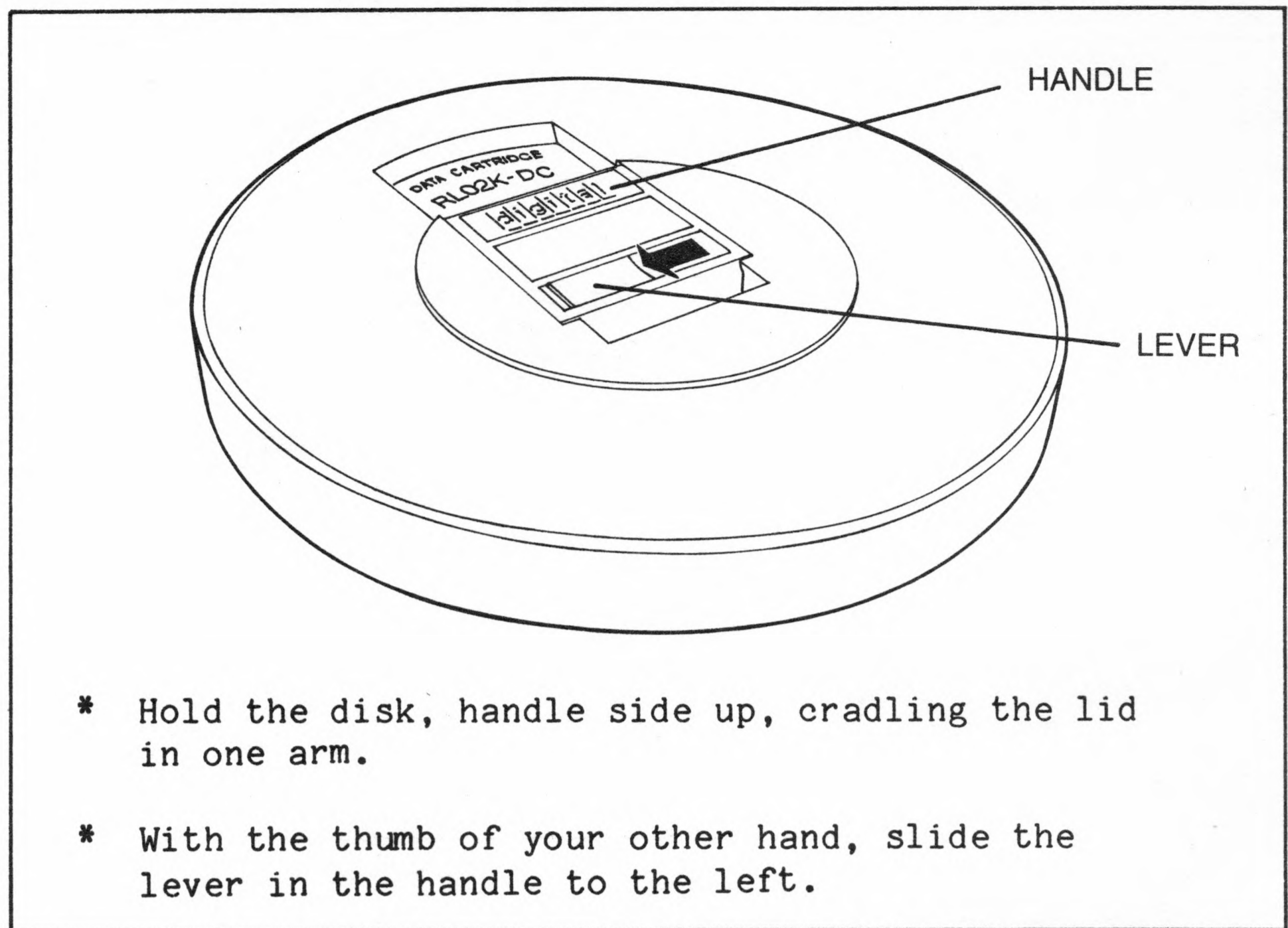


\* With one hand, push the lever in the hatch back.

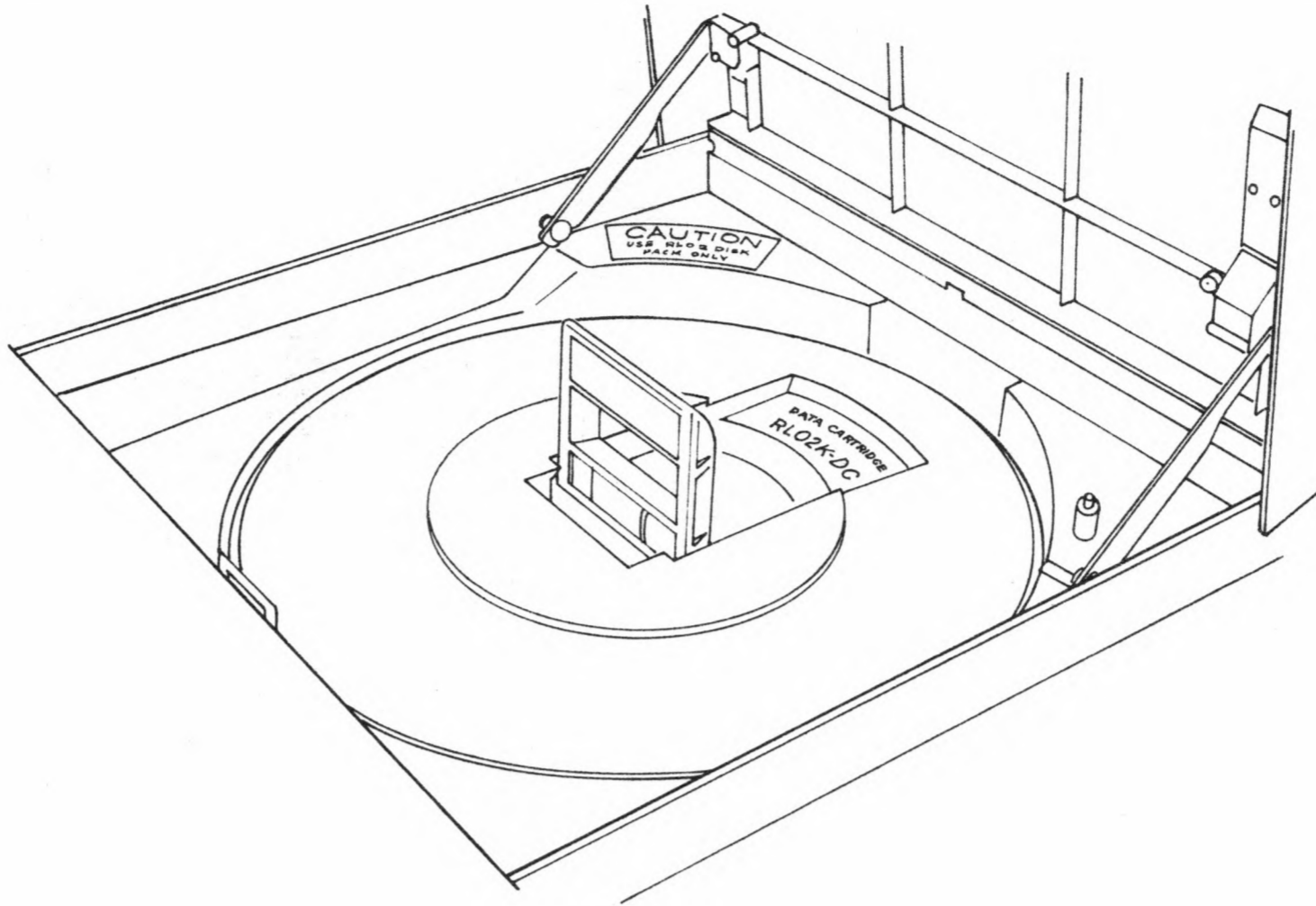


\* With the other hand, lift the hatch to reveal the disk chamber.

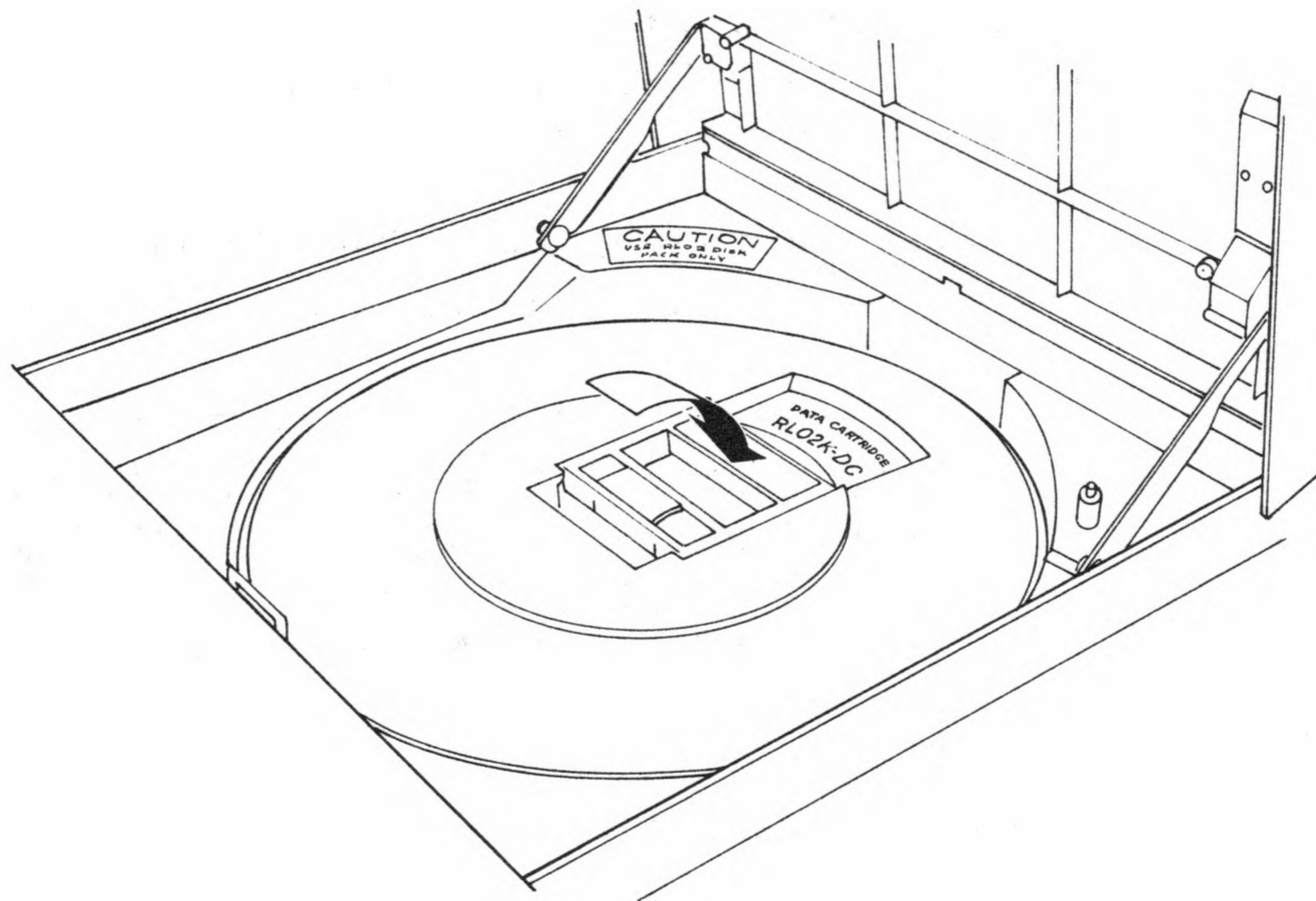
Remove disk cover. The disk's grey plastic shell is actually two parts. One part has the blue handle. The other (bottom) part is the lid.



Lifting the handle lets the two halves of the disk case come apart. Now you should be able to gently pull the disk away from the lid. Temporarily rest the lid on a level surface, such as the top of the disk cabinet.

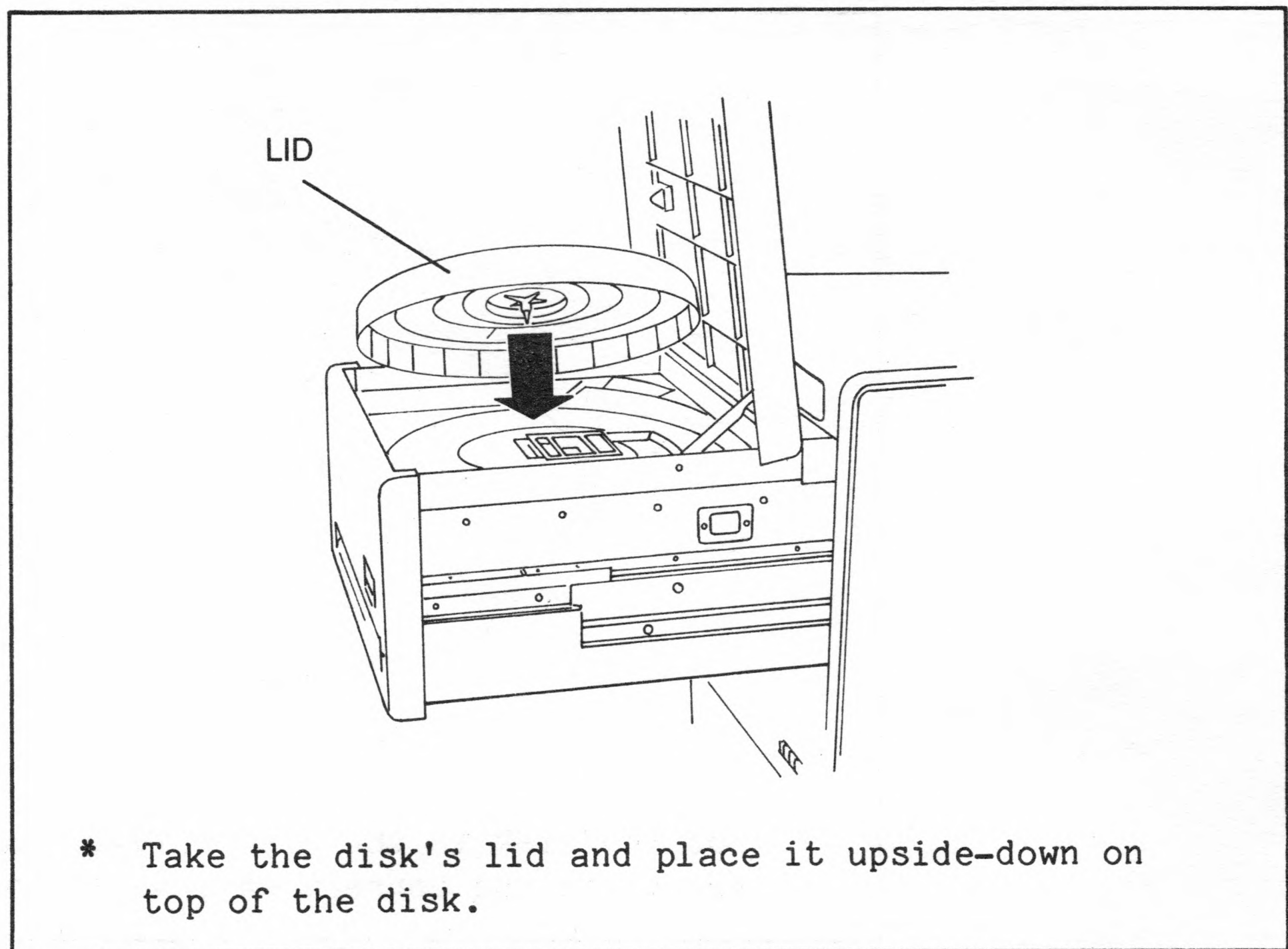


- \* Put the disk in the disk drive. Make sure you put it in the correct way, as shown.



- \* Push the blue handle down. This locks the disk into the disk drive.





Close the disk drive. Shut the hatch. Make sure it latches closed. Then gently push the disk drive back into the cabinet.

"Spin up" the drive. The DECmate cannot use the disk you installed, because it is not yet rotating.

- \* To start the disk rotating, press the yellow LOAD button on the disk drive where you installed the disk. The LOAD light should go out immediately. Then, 5 to 30 seconds later, the READY light should go on.

#### Removing a Disk

- \* To unload or stop the disk drive, press the LOAD button so as to unlatch the switch.

Just as you have to wait for the READY light before the disk is ready, you must wait for the LOAD light to come on before you can continue to the next step. This can take up to a minute. During this time, the disk drive gradually brings the rotating disk to a stop.

Do not do the remaining steps until the LOAD light comes on. Remember that you can only install or remove disks when the LOAD light is on.

Open the disk drive, using the same procedure as before:

- \* Pull the disk drive toward you.
- \* Unlatch and then raise the hatch.

**Note** If the hatch latch does not move or if the hatch does not raise, check to make sure the disk is spun down and the LOAD light is lit. Do not force the latch or the hatch.

- \* Remove the disk's lid from the disk chamber and place it on a level surface, such as the top of the disk cabinet.
- \* Just as you did when removing the disk from its lid, use your thumb to push the lever in the blue handle to the left.
- \* Raise the handle to the upright position.
- \* Gently raise the disk out of the disk chamber.

Replace the disk cover:

- \* Holding the disk by the handle, bring it together with the lid.
- \* Push the handle down flush against the disk. This locks the disk and the lid together until you open them again.
- \* Close the disk drive (unless you intend to insert a different disk in the drive).
- \* Press the hatch down over the disk chamber and push the disk drive back into the cabinet.

Carrying a Disk

You can raise the handle to the upright position to carry the disk around. The lid will not fall off. In this case, do not push the blue lever as you raise the handle to the upright position.

## Operating Your DECmate RL02

When you apply power to the DECmate, the terminal performs some simple tests to make sure it is working correctly. Here are the things you may see and hear:

- The lights on the RL02 disk drives blink as the terminal resets the disk drives.
- If your unit has diskette drives, they may make a clicking sound.
- The keyboard indicators light up.

After a few seconds, only the ON-LINE keyboard indicator will be lit. You'll see a rectangular, blinking "cursor" in the upper left-corner of the screen and the word SET-UP in the lower-left corner.

**Note** If the terminal is malfunctioning, you will not see this display. Turn the terminal off and back on again. If you consistently fail to see the SET-UP message, report the problem to DIGITAL Field Service. Make a note of which keyboard indicators were on and which were off; this may help Field Service identify the problem.

### Set-Up Mode

Set-Up Mode has been introduced earlier in this guide. In Set-Up Mode, some of the numeral keys on the main keyboard cause special things to happen. On DECmates with RL02 disk drives, use the following keys.

### The 6 Key: Starting Software

When the DECmate is in Set-Up Mode, pressing the 6 key starts the "bootstrap" program on the disk you installed in drive 0. Thus, to use software from an RL02 disk, follow these steps:

- 1 Apply power to all parts of the DECmate.
- 2 Install the disk you want to use in drive 0 and wait for it to become READY.
- 3 Press the 6 key.

What happens now depends on the software that is present on that disk drive. If nothing happens, the most common problem is that the disk you installed did not have a "bootstrap" program.

#### The 7 Key: Disk Self-Test

When the DECmate is in Set-Up Mode, pressing the 7 key also starts the "bootstrap" program on the disk you installed in drive 0. But before doing so, the DECmate tests each RL02 disk drive which is READY to make sure it is operating correctly. Using the 7 key takes a little longer to start software than the 6 key does, but the 7 key gives you greater certainty that the disk drives are working properly.

If drive 0 is not READY when you press the 7 key, you'll see this message on the screen:

```
WAITING FOR DRIVE 0 TO BECOME READY
```

Make sure you have installed the disk correctly, closed the hatch, and pressed the LOAD button. When the disk drive becomes READY, the DECmate tests it and each other drive that is also READY. At the end of the test, you'll see a message like this:

```
DRIVES READY: 0, 1
```

(These numbers may not be present if some of the drives are not READY.)

After this message appears, the DECmate proceeds to the "bootstrap" program contained on the disk in drive 0.

If the disk self-test detects a problem with one of the disks, you'll see a message like this:

```
RL DISK PACK SUB-SYSTEM ERROR  
RL DRIVE : #1  
ERROR CODE : #5
```

Write down the drive and error code number actually displayed on the screen. The DECmate is now back in Set-Up Mode. Press 7 again to repeat the test. If the error occurs consistently, use the DECmate System Test diskette, as described below.

## DECmate System Test Diskette

Chapter 5 describes how to use the DECmate System Test diskette to prove that all parts of the DECmate are operating properly. On DECmates equipped with RL02 disk drives, this program also tests the disk drives.

You should use the DECmate System Test diskette:

- Immediately after DIGITAL Field Service installs the DECmate, as proof that it works correctly.
- Any time the disk self-test fails and displays an error message.
- Any time any of the red FAULT lights on the disk drives comes on.
- Once a month to correct any new problems before they disrupt your work.

You will see some additional messages on the screen pertaining to the disk drives, but the general form of the displays is the same as for diskette-based DECmates.

Install disks in all drives and make sure they are READY before starting the DECmate System Test diskette. It does not matter what disks you use; the disk tests will not destroy any information contained on these disks.

## Disk Drive Buttons Write Protect

By pressing the WRITE PROT button on a disk drive, you prevent the DECmate from modifying any information on the disk in that drive, even if you type a command to do so. The meaning of this depends on the software you are using. For instance, if you try to edit a document or change a file on an RL02 that is "write protected," your attempt will fail and the text on the disk will be unchanged.

When you press the WRITE PROT button, it latches into position and the yellow WRITE PROT light comes on.

To cancel write protection--that is, to let the DECmate modify the information on the disk once again, press the WRITE PROT button again so that it unlatches. The yellow WRITE PROT light goes off.

## Ready

The white READY light on a disk drive comes on when the drive contains a disk and the disk is spinning at top speed. READY means the disk is ready to be read or written.

The READY light goes out briefly when the DECmate is actually reading information from the disk or writing information on the disk. Thus, you may see the READY light flicker during certain operations.

## Fault

If the red FAULT light comes on, it may indicate a number of problems:

- the disk drive is having difficulty reading or writing information on the disk.
- your DECmate terminal fuse is blown.
- your DECmate terminal is not turned on.
- the terminal board is not working properly.

Whenever you see the FAULT light, you should use the DECmate System Test diskette to identify the location of the problem.

## Changing Disk Designations

The numbers on the white READY buttons tell which disk drive is which. For instance, the disk drive with the 0 button is drive RL0.

You can give any drive number to any drive by exchanging the READY buttons. Exchanging the READY buttons is easier than exchanging the disks inside the drives. Changing a disk drive's number also lets you temporarily use one drive in place of another if one of your drives is malfunctioning.

Suppose you are using software that deals with information on RL0, but the disk you want to use is presently in RL1. Pull out the 0 and 1 buttons and exchange them. Now the disk you want is in RL0.

Do not pull out the numbered buttons when a disk operation is in progress. Always leave one button in each drive, even the ones you are not using, so that the buttons do not get lost. Make sure you put the buttons in right-side up.

Depending on what software you are using, you may have to restart your program or otherwise inform it any time you change disk designations or install different disks.

## Chapter 7 Modems and Communications

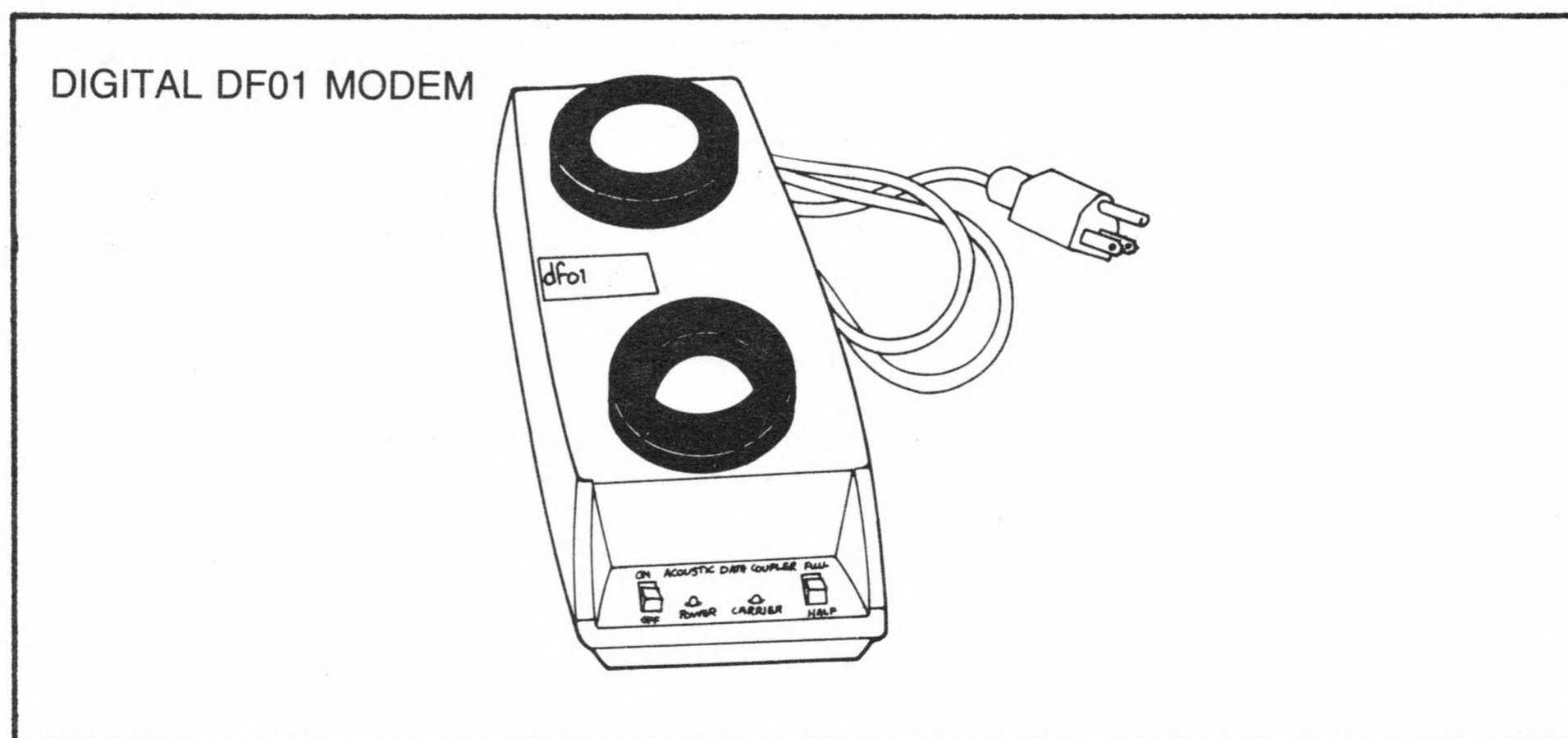
This chapter explains:

- Installing your DF01, DF02, or DF03
- Choosing software or hardware to connect to a host computer
- Communicating with a host computer

### Installing your DF01, DF02, or DF03 Modem

There are three types of modems that may be used with your DECmate - the DF01, DF02, and DF03. This section illustrates each one and provides diagrams for their installation.

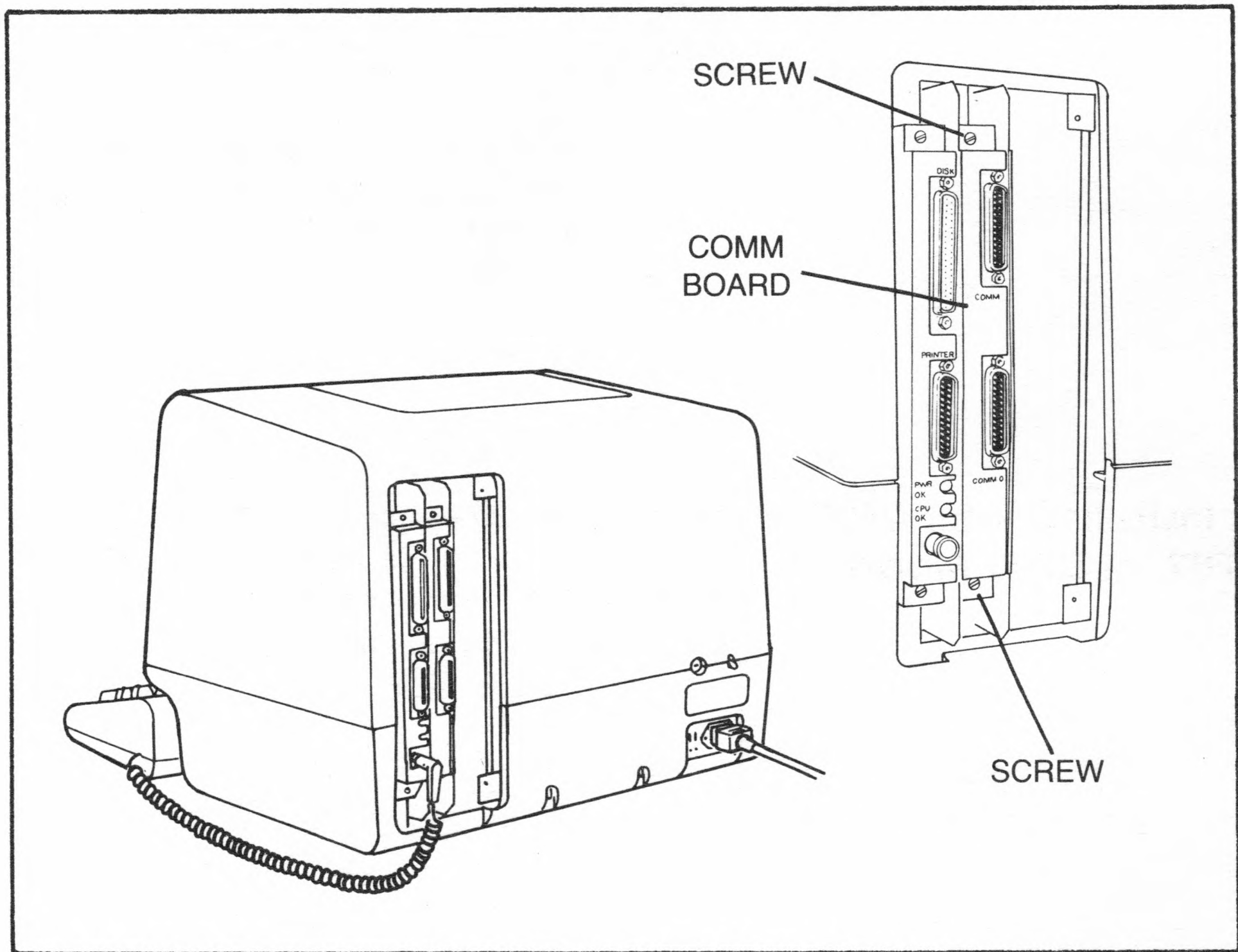
#### DF01 Modem



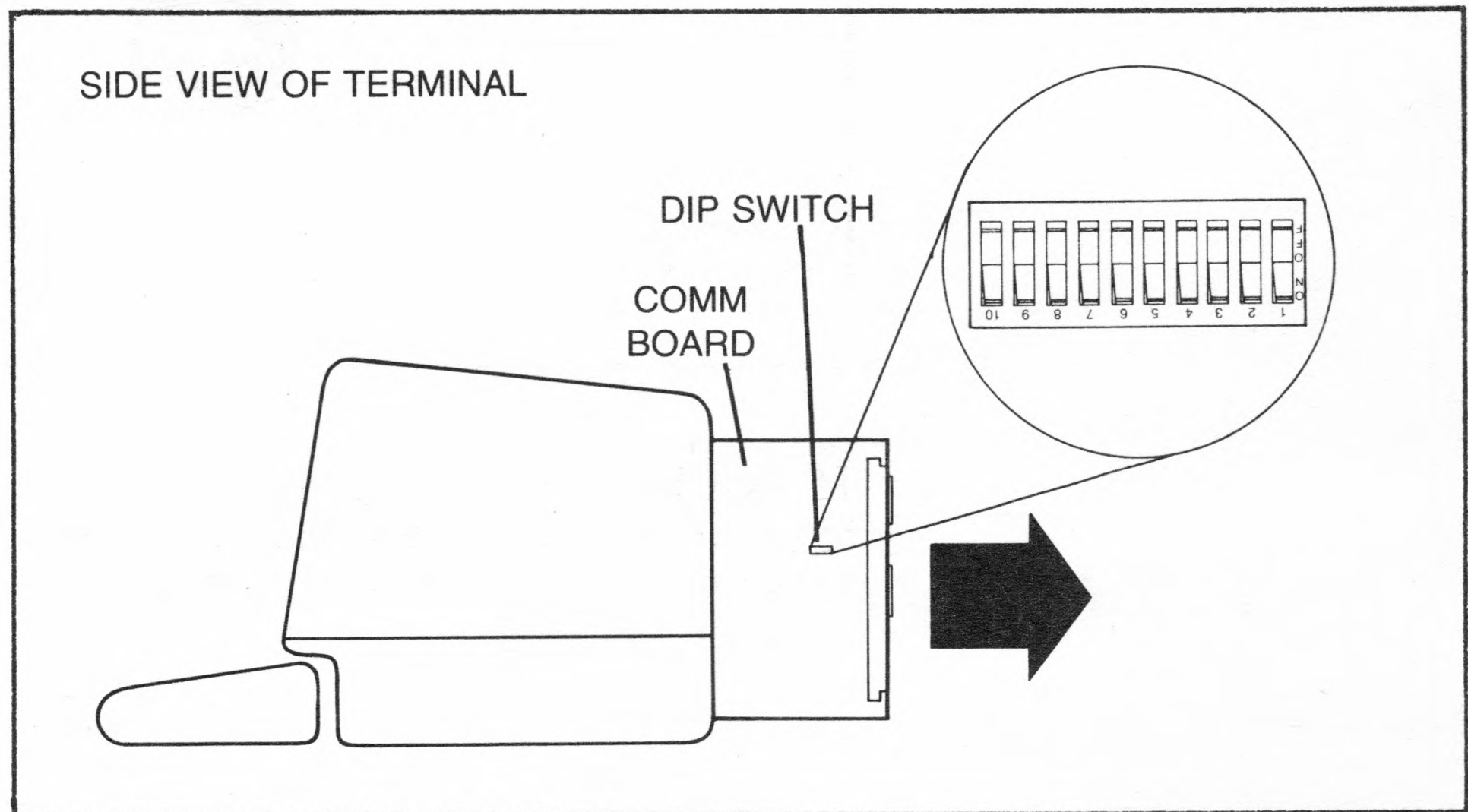
If you have a DF01 Modem, you can connect it to your DECmate by changing a setting on the Communication Board inside the terminal. The following steps show how.

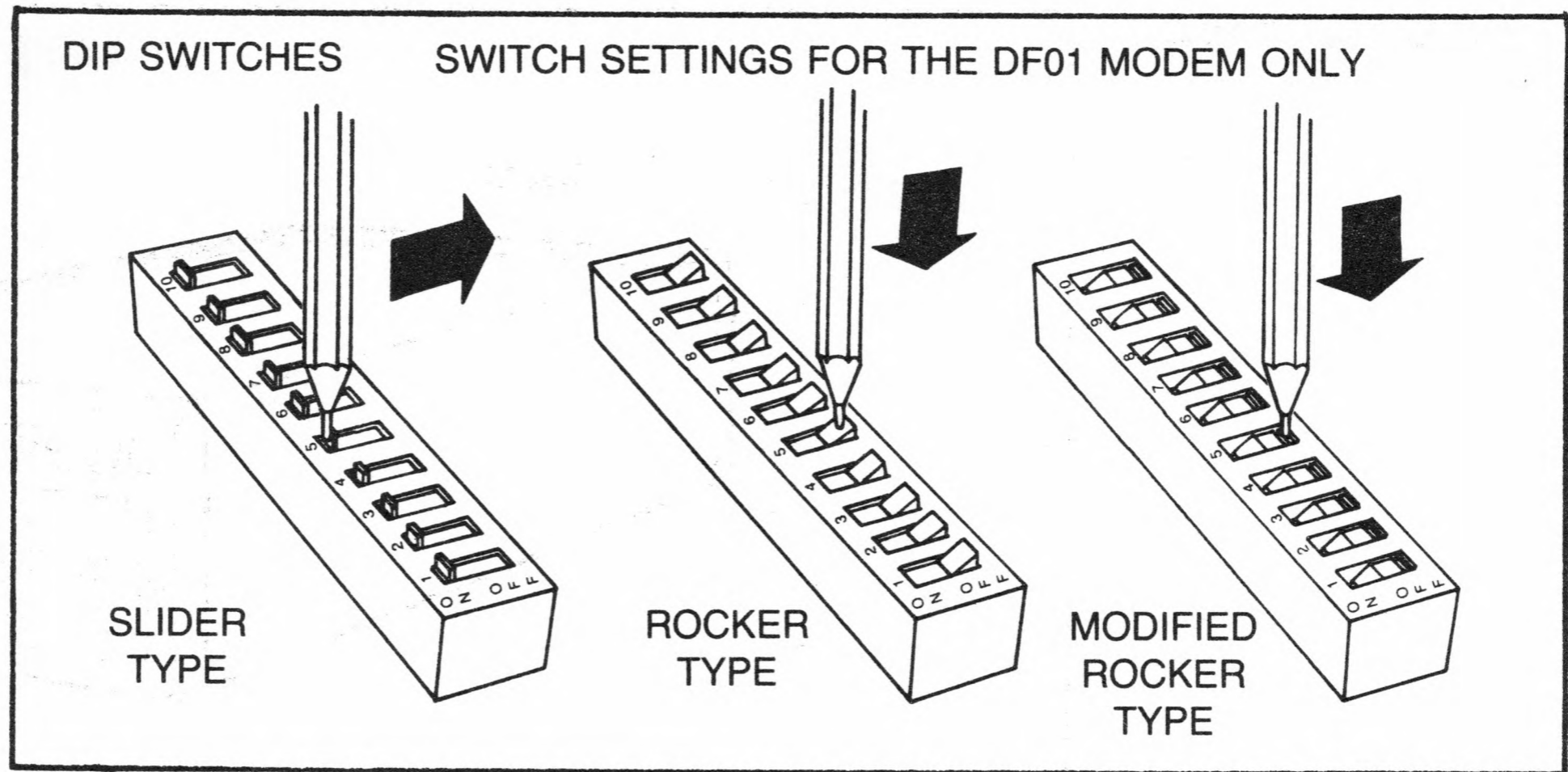


- \* Turn off the power to your DECmate, and pull the plug out of the terminal.
- \* At the back of the terminal, remove the cable shield, cables, and the EMI shield.



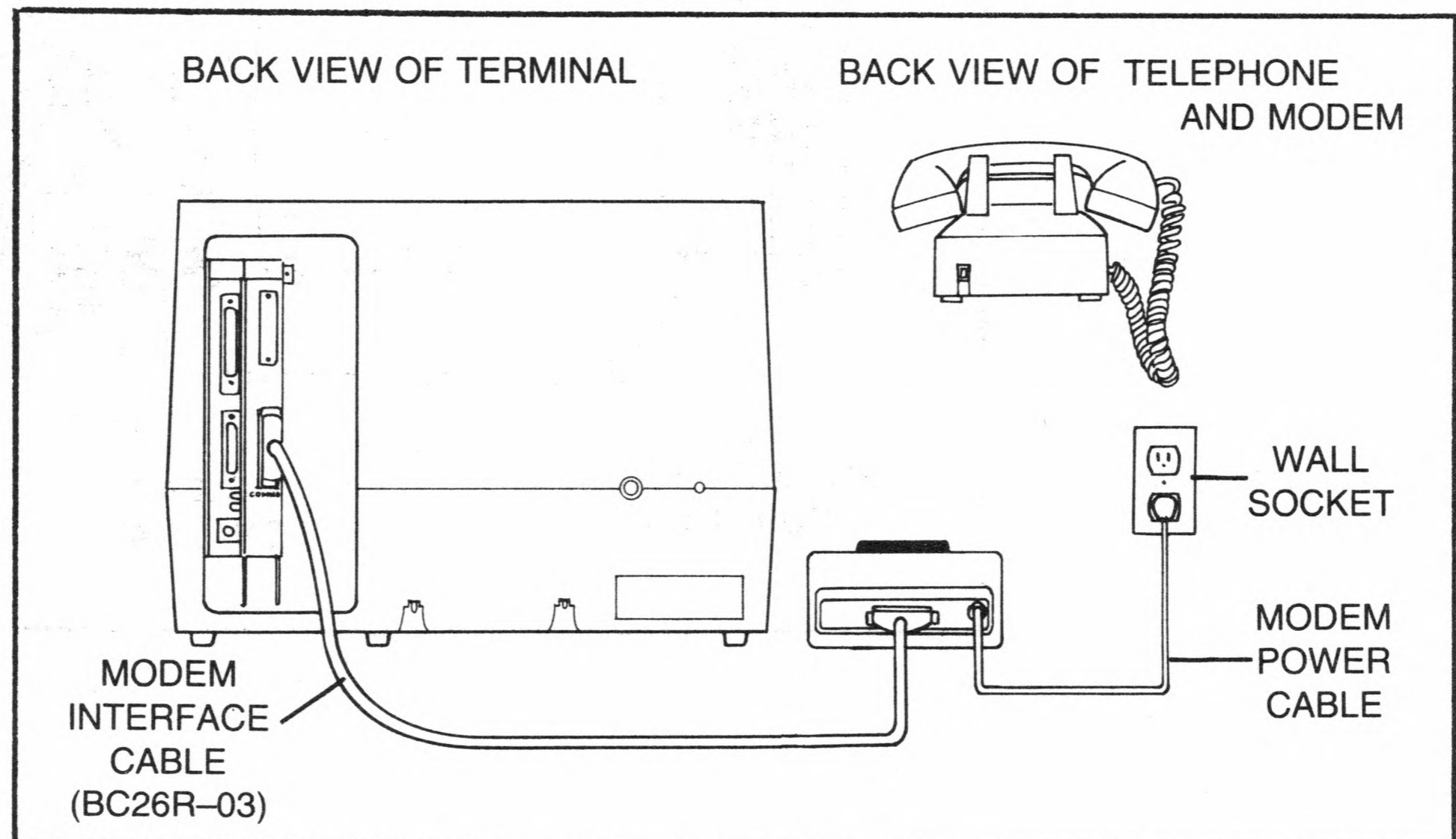
- \* Loosen the two screws at the top and bottom of the Communications Board.
- \* Slide the Communications Board halfway out of the terminal. The board is held in place by plastic tracks that provide a tight fit. Use gentle pressure to guide the board along the tracks.



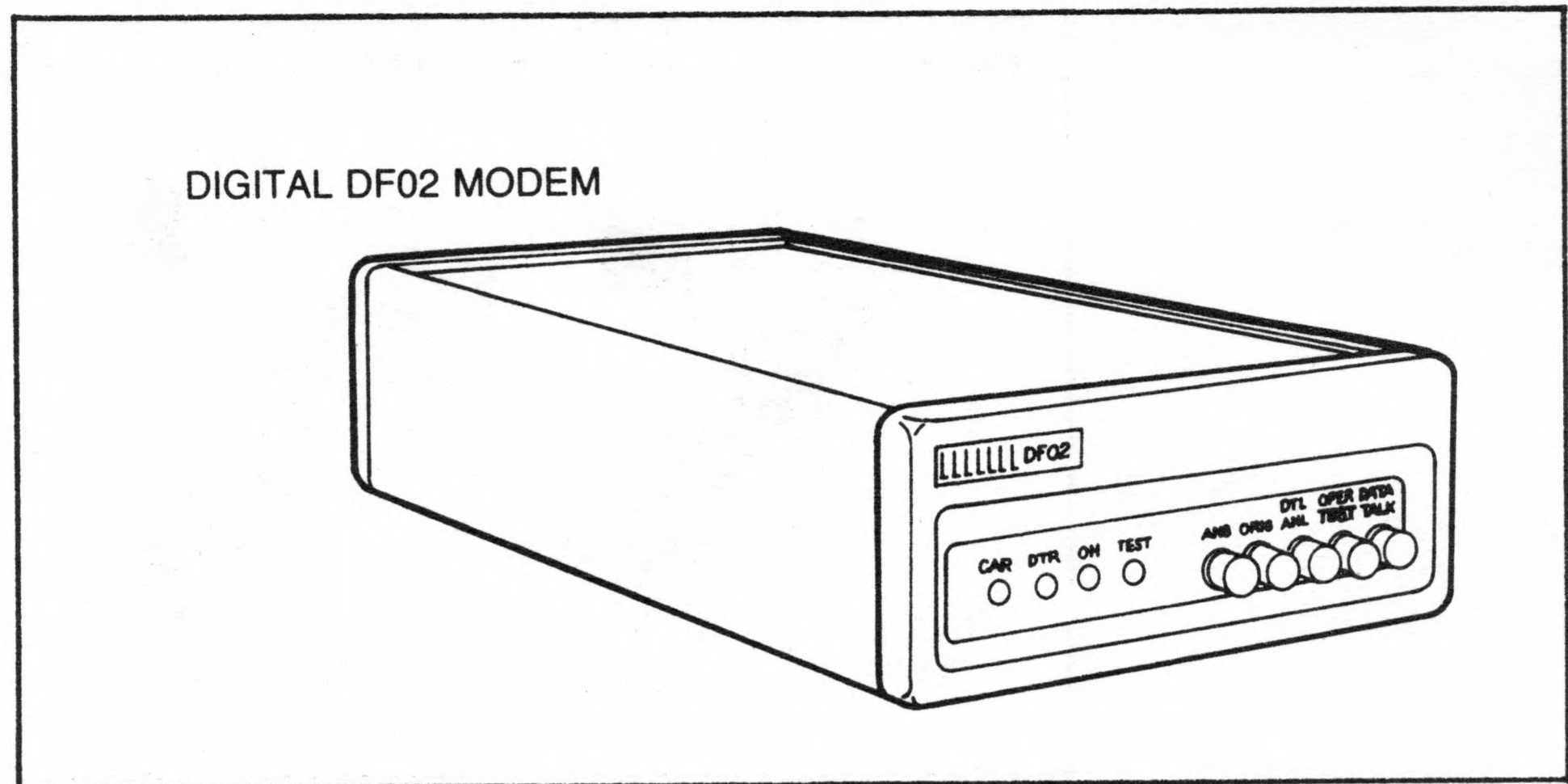


- \* Locate the DIP switches on the Communication Board. Using the tip of a ball-point pen, gently move switches 4 and 5 to the OFF position.
- \* Replace the Communications Board, and tighten screws.
- \* Reconnect EMI shield, cables and cable shield.

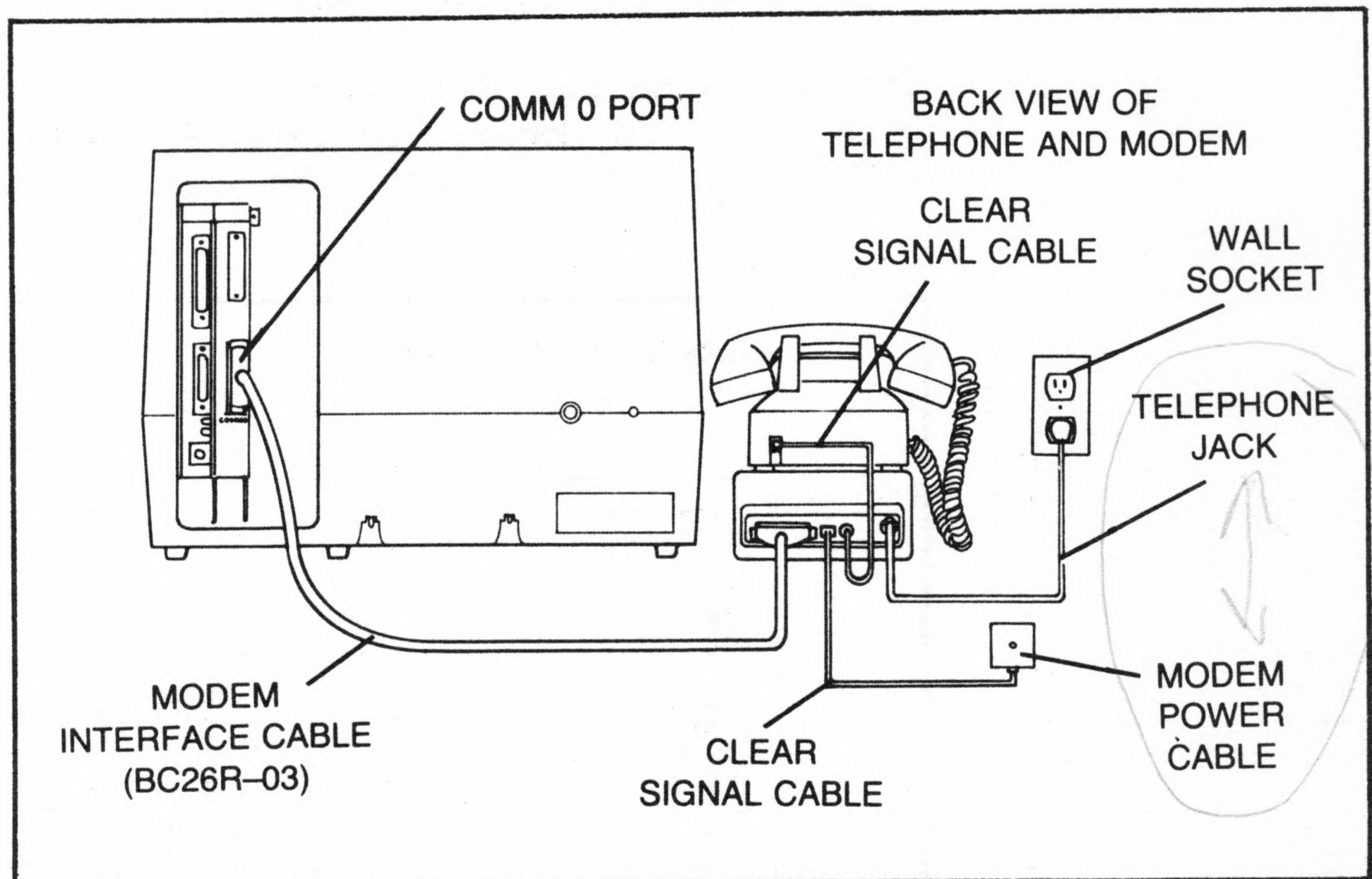
The following illustration helps you install the cables used with your DF01 Modem. For detailed installation instructions, refer to the manual sent with your modem.



## DF02 Modem

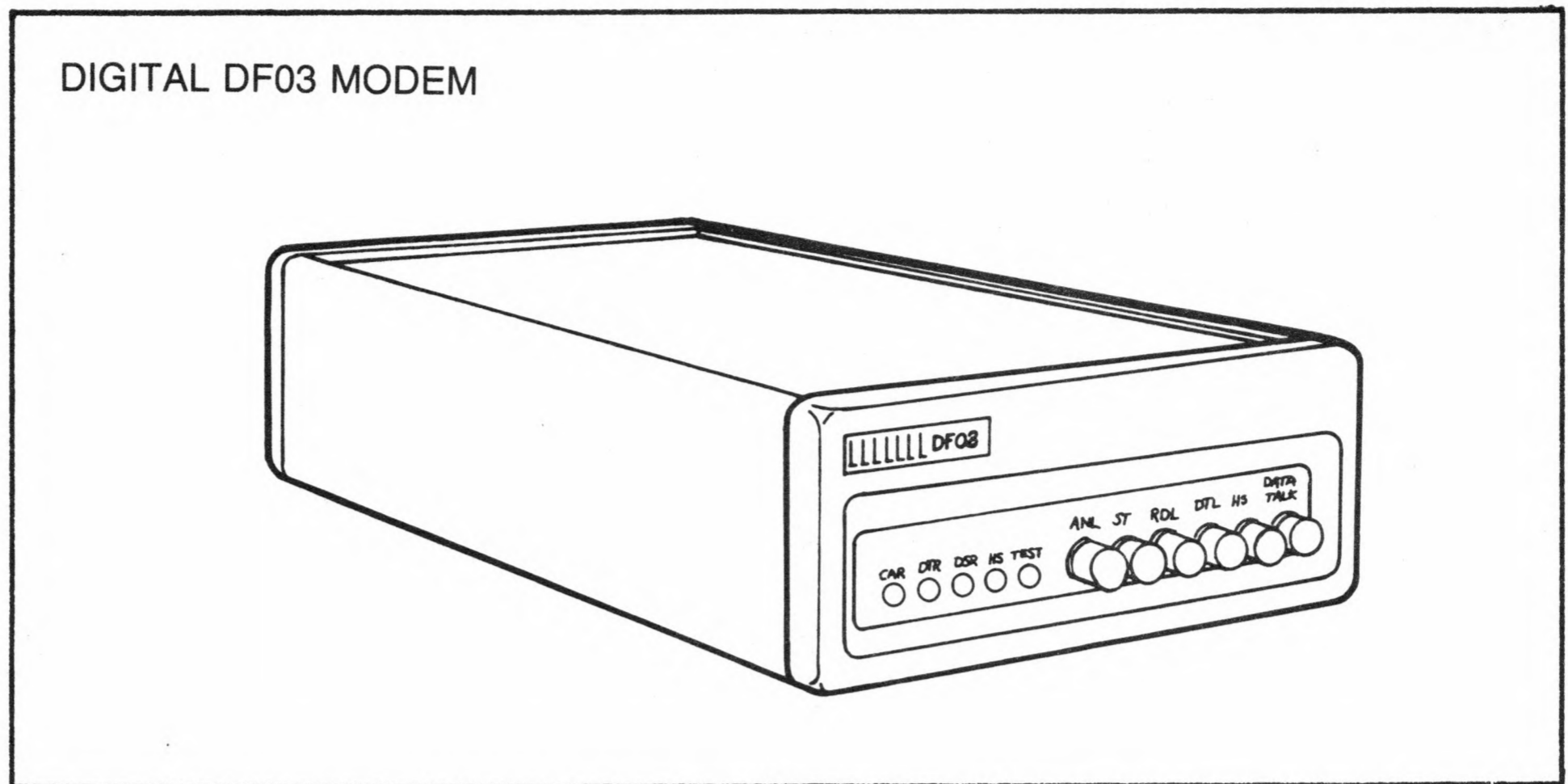


The following illustration helps you install the cables used with your DF02 Modem. For detailed installation instructions, refer to the manual sent with your modem. Be sure to replace the EMI shield and the cable shield after installation. (The DIP switches on the Communication Board do not need adjustment.)



*CCRS!*

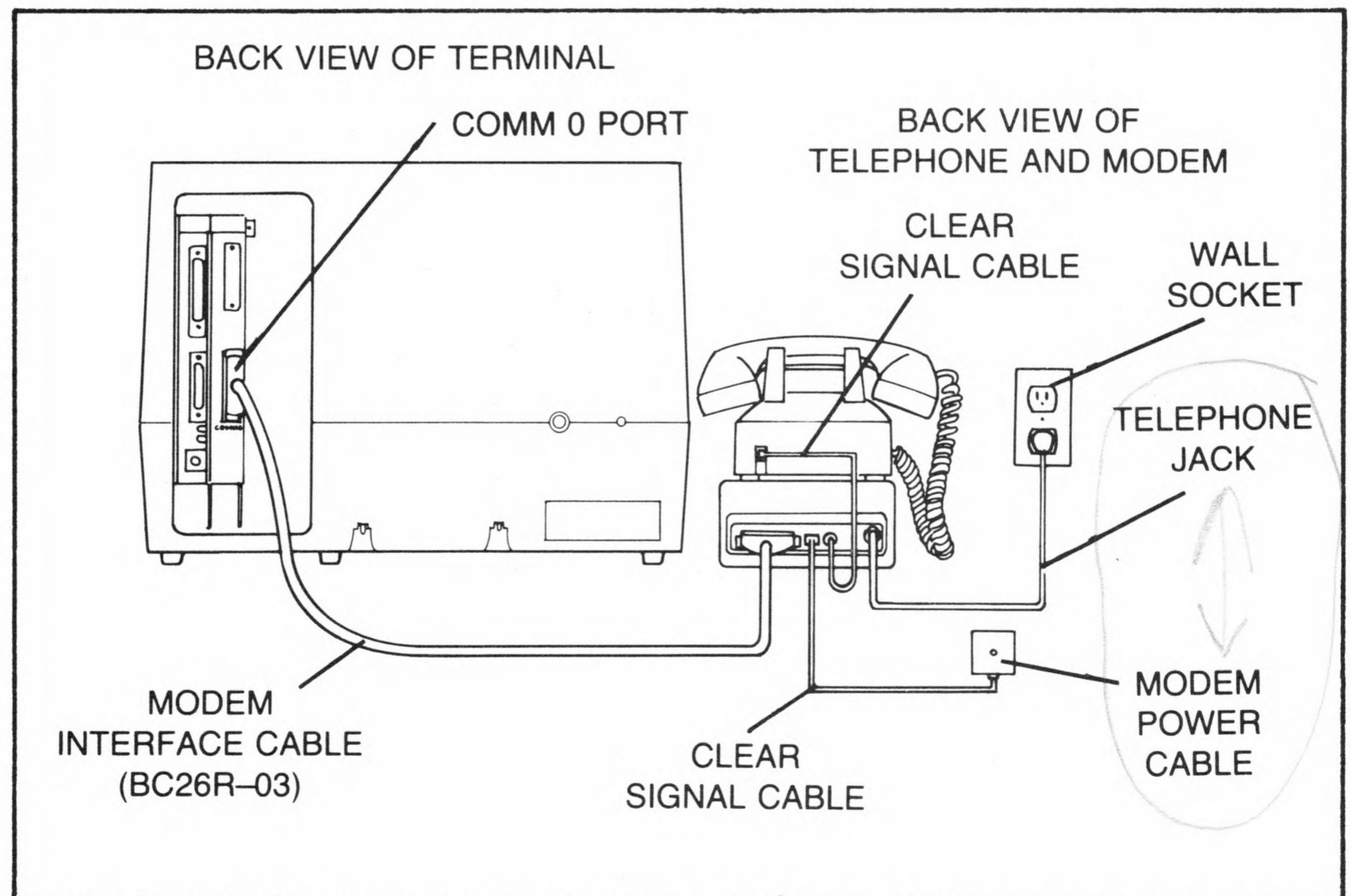
## DF03 Modem



The DF03 modem provides the same function as the DF02, but with a wider range of capabilities.

The following illustration helps you install the cables used with your DF03 Modem. For detailed installation instructions, refer to the manual sent with your modem. Be sure to replace the EMI shield and the cable shield after installation.

(The DIP switches on the Communication Board do not need adjustment.)



## Choosing Software or Hardware to Connect to a Host Computer

Your DECmate terminal can connect to a host computer using either application software or word processing software. Or you can connect to a host computer using DECmate's built-in features (Terminal Modes I and II).

- \* Connecting through your software gives you the benefits of Word Processing.

If you want to use your software to connect to a host computer:

- For word processing, refer to DECmate Word Processing Using Communications (AA-K666B-TA).

- For application packages, refer to the manuals sent with that software.

- \* Connecting through DECmate hardware allows you to operate without floppy diskettes. This type of connection also enables you to use Autodial, and maintain full modem control.

If you want to use your DECmate's hardware, continue below.

## Communicating with a Host Computer

The instructions in the following sections show how to use DECmate's special features in communicating with a host computer.

Technical information about communications can be found in the DECmate Architecture Manual (order number: EK-VT278-HR).

Technical information about the DIGITAL DF02-AC and DF02-AA Modem can be found in the DF02 Modem User Guide (order number: EK-ODF02-UG-002).

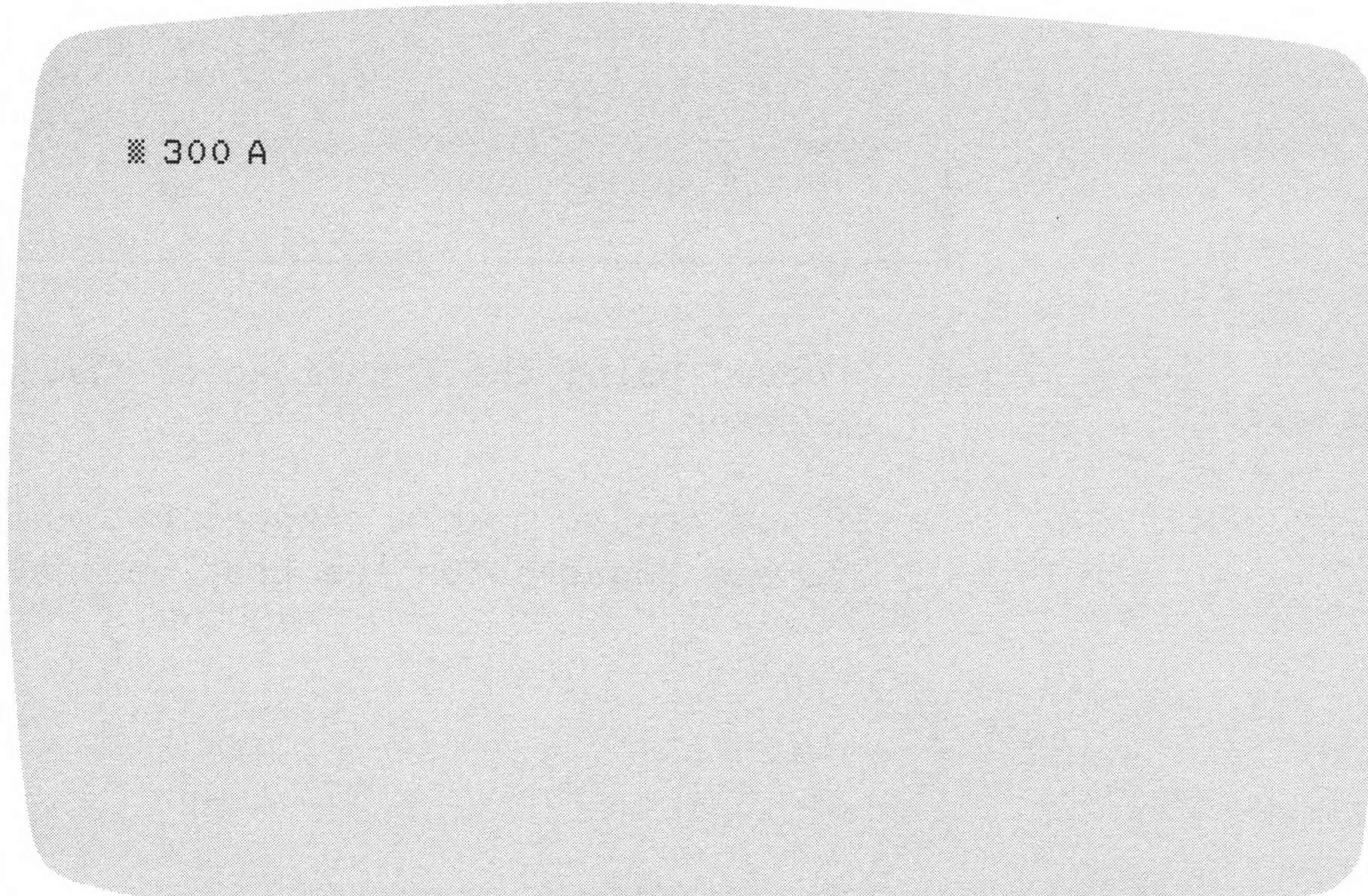
Technical information about the DIGITAL DF03-AC and DF03-AA Modem can be found in the DF02 Modem User Guide (order number: EK-ODF03-UG-001).

## Connecting Your Terminal to a host Computer: Terminal Modes I and II

### Terminal Mode I: Hardwired Connection

The following steps explain how to make a connection to a host computer through a hardwire.

- \* Enter Set-Up Mode.
- \* Press the 4 key. This puts the system into Terminal Mode I.

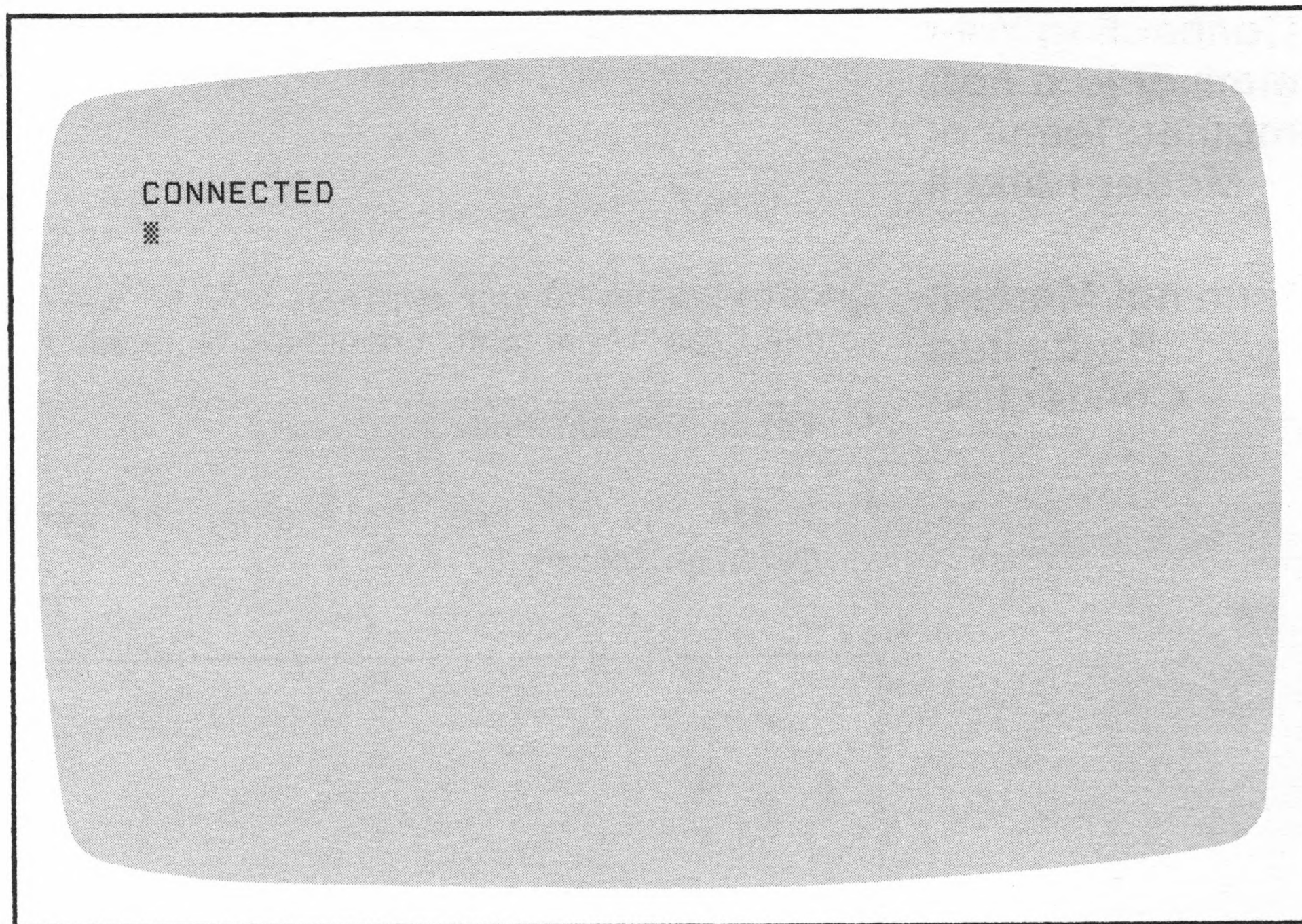


300 A

The default baud rate (300) will display, along with the default Mode Letter (A). Mode Letter A indicates 80 column, 8 data bits, no parity, one stop bit.

- \* Change the baud rate and mode letter, if necessary, according to Tables I and II given at the end of this section.
- \* Press the RETURN key.

The word CONNECTED should appear on your screen. This message tells you that DECmate is ready to communicate with your host computer.



\* Proceed using the functions of the host computer.

If you cannot make a connection, call the Systems Manager for the host computer.

## Terminal Mode II: Modem Connections

The following steps explain how to connect your terminal to a host computer using a DF01, DF02 and DF03 modem.

- \* Enter Set-Up Mode.
- \* Press the 5 key. This puts the system into Terminal Mode II.

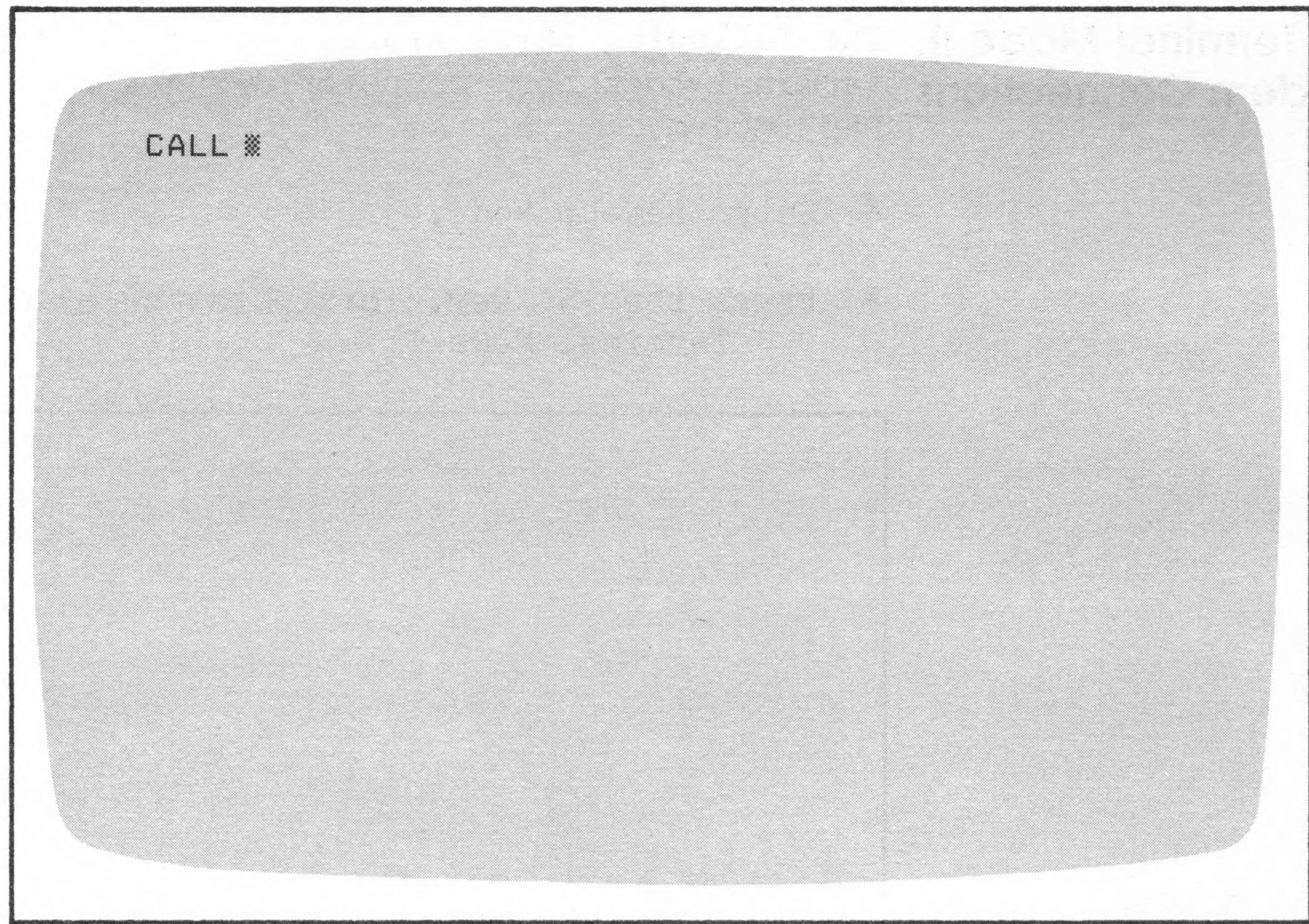


300 A

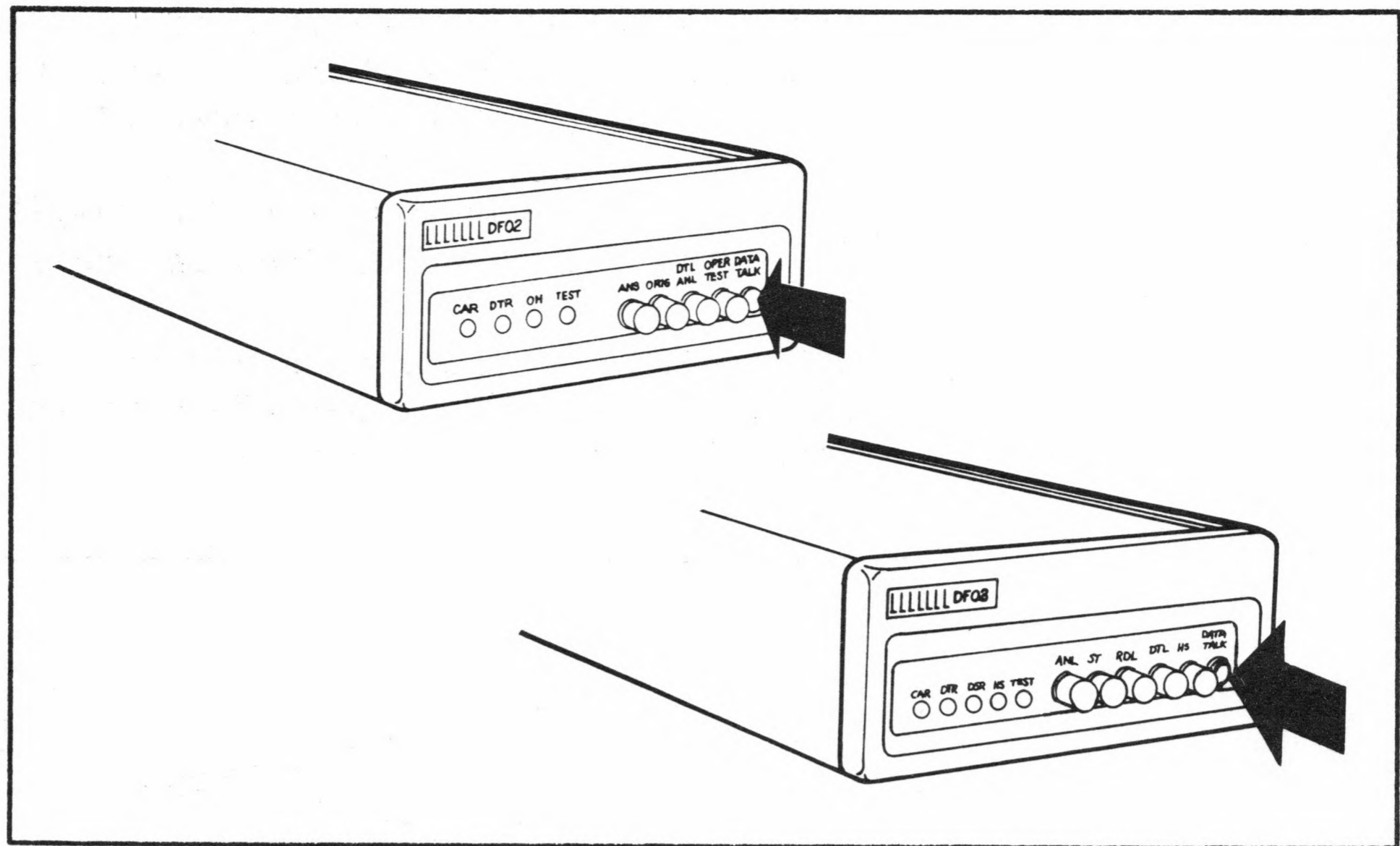
The default baud rate (300) will display, along with the default Mode Letter (A). Mode Letter A indicates 80 column, 8 data bits, no parity, one stop bit.

- \* Change baud rate and mode letter, if necessary, by inputting number or letter keys according to the Tables I and II given at the end of this chapter.
- \* Press the RETURN Key.





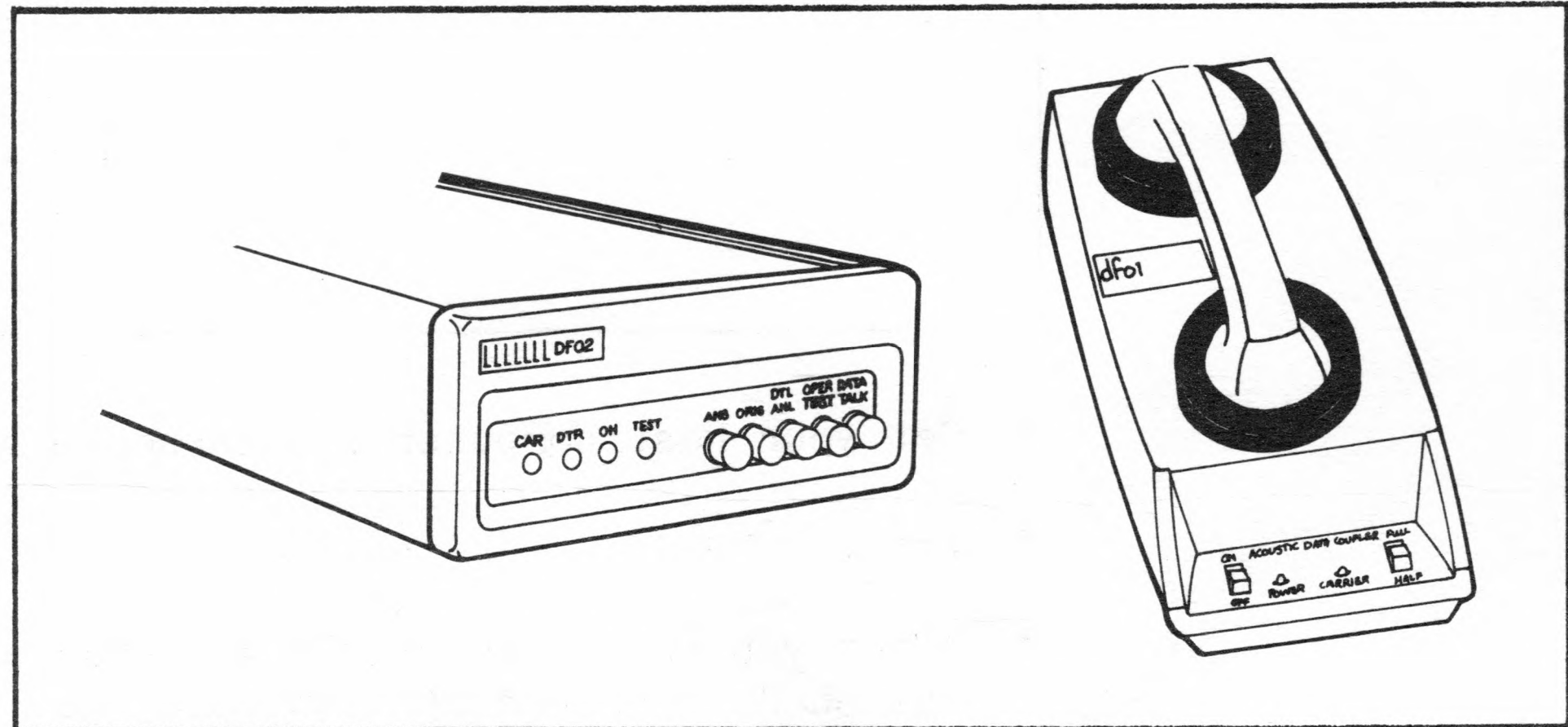
The word CALL displays.



- \* Get your host computer's telephone number.
- \* Press Return.
- \* After you press the RETURN key and take the telephone receiver off its hook, you have 30 seconds to dial the host computer. If you do not dial the number within 30 seconds, you are disconnected.

NOTE: If the word DISCONNECTED appears, it may be because the host computer's telephone lines are busy, or the computer cannot answer, or you allowed 30 or more seconds to elapse. If you are disconnected, place your telephone receiver back on its hook and follow the Stop Communications instructions in this chapter. You can then start the procedure over.

- \* Take the telephone receiver off its hook and dial the host computer's telephone number. The OH (DF02) or the DSR (DF03) light will come on.
- \* With a DF01: When you hear a high-pitched whistle, place the telephone handset in the acoustic coupler.
- \* With a DF02 or DF03: When you hear a high-pitched whistle, pop out the Data/Talk button. Replace the phone handset on its cradle.



The word CONNECTED appears on the screen to tell you the connection has been made successfully. The CAR (Carrier) light comes on. Follow the instructions of the host computer.

- \* With a DF03: IF you selected 1200 baud operation, the HS (High Speed) light on your modem comes on.
- \* If you do not hear a high-pitched tone, or the CAR does not come on, there is a problem making the connection. Try 3 times. If you cannot connect, the problem can be in the modem, line, or host computer. Call the Systems Manager responsible for the host computer.

**Operating features  
used when  
connected to  
a host computer**

This section explains how to:

- Change parameters
- Stop communications
- Stop and restart scrolling
- Dial host computer from the keyboard
- Automatically redial the last host telephone number used

**To change  
parameters**

- \* If you need to reset the parameters (baud rate or mode letter) after you are connected to the host computer, follow these steps:
  - \* Hold CTRL key down and press K key.
  - \* Press RETURN key.
  - \* If you also want to change the terminal mode, press either the 4 key (for Terminal Mode I) or the 5 key (for Terminal Mode II) instead of the RETURN key.
  - \* Make the desired parameter changes.
  - \* Press RETURN.

You are returned to where you were before pausing to make parameter changes.

## **To stop communications**

To end the communication link with the host computer:

- \* Hold CTRL key down and press the K key.
- \* Press D key.
- \* Within 2 seconds, the communication line is disconnected and you are returned to the parameter screen.
- \* With a DF01: Hang up your phone.
- \* With a DF02 or DF03: If you are not planning to communicate with the host again, push the DATA/TALK Button on your modem in (TALK position) to free your telephone line.

## **To stop and restart scrolling**

Information from the host computer is sometimes scrolled (moved) off the screen before you can read it. To stop the screen from scrolling:

- \* Press NO SCROLL key

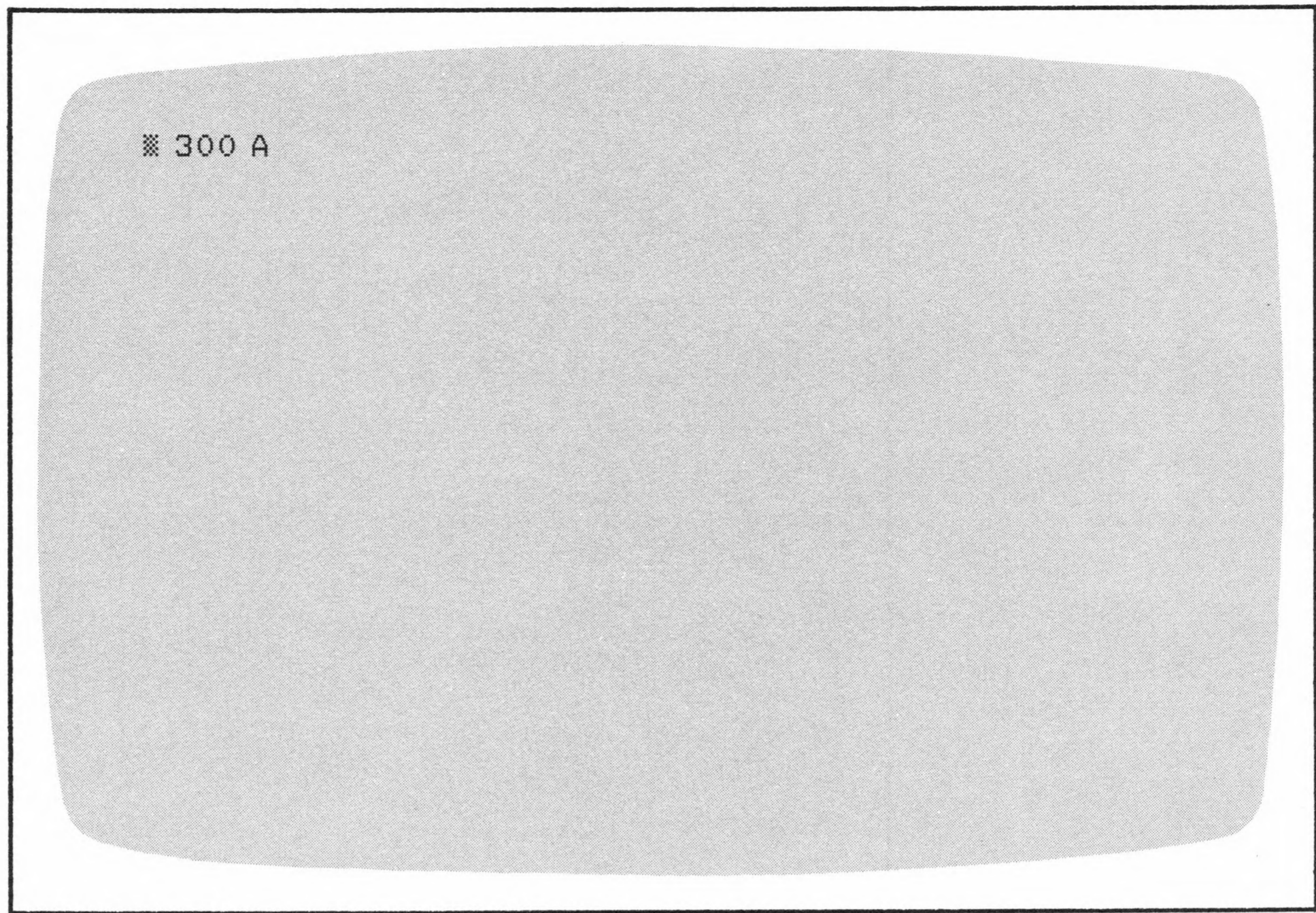
To restart scrolling:

- \* Press NO SCROLL key again

## **To dial the host from the keyboard with a DF02-AC or DF03-AC Modem**

If you have a Digital DF02 or DF03 Modem with an auto call unit (-AC), you can use your keyboard to dial the host computer.

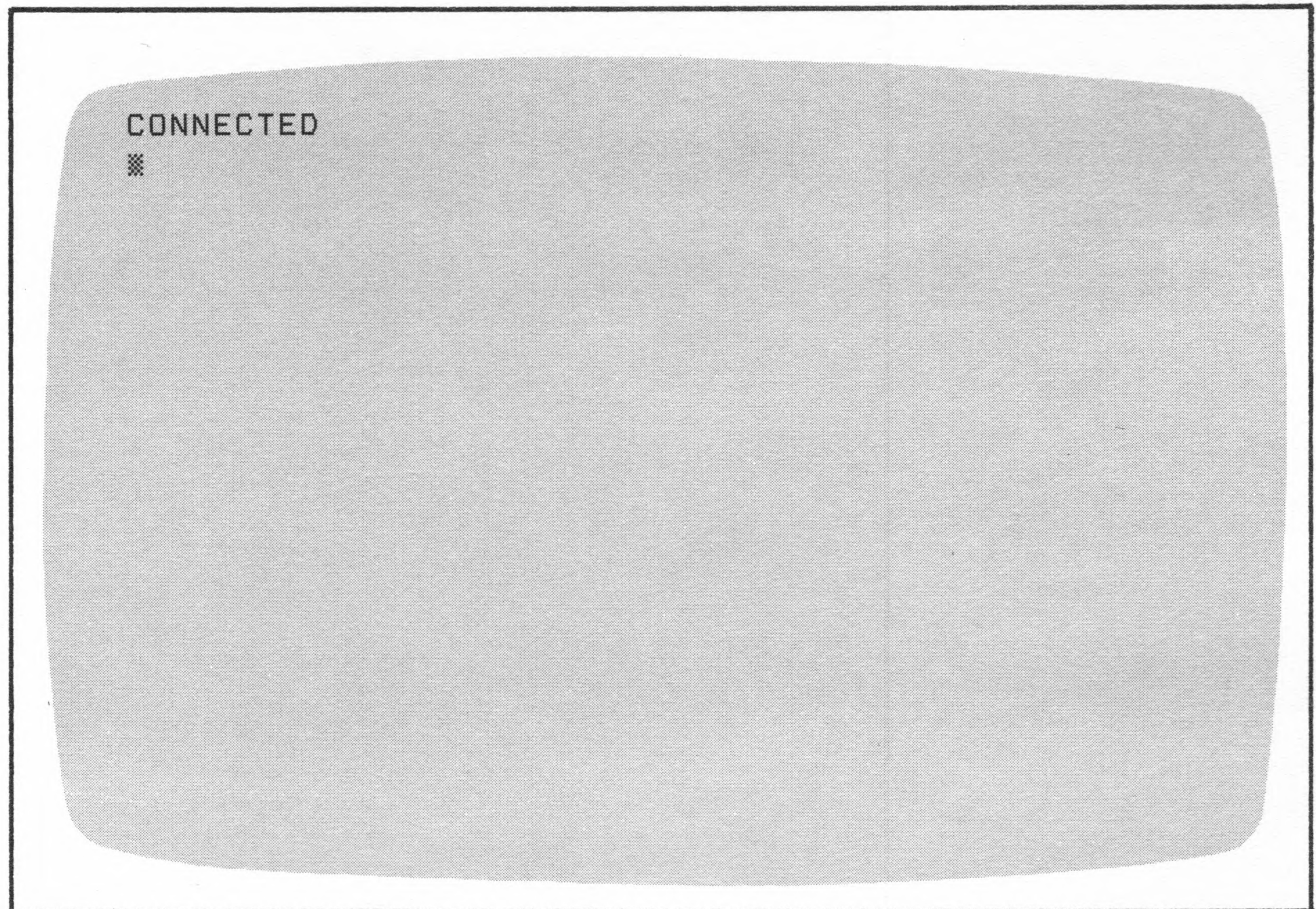
- \* Be certain that the DATA/TALK button on modem is out ("data" position).
- \* Enter Set-up mode.
- \* Press the 4 key. This puts DECmate into Terminal Mode I.



The default baud rate (300) displays. The default Mode Letter also displays (A). Mode Letter A indicates 80 column, 8 data bits, no parity, one stop bit.

A DF03-AC Modem can auto-dial at either 300 or 1200 baud (110 is also possible, but rare). You must know at what rate the modem is auto-dialing.

- \* Change the baud rate or mode letter, if necessary, by typing in the numbers or letters from the chart at the end of this section.
- \* Press RETURN.



- \* The word CONNECTED appears
- \* Hold CTRL key down and press A key.
- \* Hold CTRL key down and press B key.

The OH (DF02) or the DSR (DF03) light on the modem lights up.

- \* Type in your host computer's telephone number using either the main keyboard or mini keyboard.

If when dialing manually, you need to wait for a second dial tone, include an equal sign for the second dial tone.

Example:

8=6175551212 means to "dial" (type) an 8, get a second dial tone, and dial the rest of the number, 6175551212.

- \* When the CAR (Carrier) light on your modem comes on, you are connected to your host.

Now switch to Terminal Mode II for Full Modem Control with these steps:

- \* Hold CTRL key down and press K key
- \* Press 5 key
- \* Change the parameters, if necessary, by entering codes selected from Tables I and II
- \* Press RETURN
- \* Prompt the computer as necessary



**To automatically redial the last host telephone number used**

If you dial using the keyboard, the DF02 Auto Call Modem (DF02-AC) stores the last telephone number that you dialed.

- \* Enter Set-up mode.
- \* Press 4 key.
- \* (The preceding two steps are not necessary if you have not used the system since communicating with the host. You should see the current parameters displayed on the last line of the screen. If so, proceed with the following steps.)
- \* Be certain that DATA/TALK button on modem is out (DATA position).
- \* When correct parameters for Autodialing display, press RETURN key.

When CONNECTED appears, the DTR light on your modem lights up.

- \* Hold CTRL key down and press A key.
- \* Hold CTRL key down and press B key.
- \* The OH (DF02) or DSR (DF03) light on the modem lights up.
- \* Hold CTRL key down and press C key.

The system automatically calls the last host telephone number you used. After a few moments, the connection is made (if the host computer is available).

Now switch to Terminal Mode II for Full Modem Control with these steps:

- \* Hold CTRL key down and press K key.
- \* Press 5 key.
- \* Press RETURN.
- \* Prompt the computer as necessary.

### Baud Rate Table

To Change to This Baud Rate.....Enter This Number	
110	1
300*	2
600	3
1200	4
2400	5
4800	6

\* The communication baud rate defaults to 300 baud when an alternate baud rate is not specified.

### Mode Letter Table

To Change to This Mode.....	Enter This Letter
NO parity, 1 stop bit, 8 data bits, 80 display columns *	A
NO parity, 1 stop bit, 8 data bits, 132 display columns	B
NO parity, 2 stop bits, 8 data bits, 80 display columns	C
NO parity, 2 stop bits, 8 data bits, 132 display columns	D
ODD parity, 1 stop bit, 7 data bits, 80 display columns	E
ODD parity, 1 stop bit, 7 data bits, 132 display columns	F
ODD parity, 2 stop bits, 7 data bits, 80 display columns	G
ODD parity, 2 stop bits, 7 data bits, 132 display columns	H
EVEN parity, 1 stop bit, 7 data bits, 80 display columns	I
EVEN parity, 1 stop bit, 7 data bits, 132 display columns	J
EVEN parity, 2 stop bits, 7 data bits, 80 display columns	K
EVEN parity, 2 stop bits, 7 data bits, 132 display columns	L

\* Communications mode defaults to NO parity, 1 stop bit, 8 data bits, 80 display columns (letter A) when an alternate mode is not specified.

## Chapter 8 Services, Training and Supplies

**Services** Various services are available for your DECmate depending upon your specific needs.

If you run Word Processing software, WPS 278, on your DECmate, the following service is available.

DECmate service

DECmate Service is a comprehensive and responsive program for ongoing support of DECmate hardware and word processing software.

Whether you have a small business application, or a complex computer application in a large corporation, you want continuous and effective use of your system. When questions or problems occur, you want effective response. To achieve the maximum return on your investment and to insure operating efficiency, you need long term solutions. DECmate Service delivers both.

DECmate Service - key benefits

- \* toll free hot-line (800) 241-6580
- \* engineering modifications
- \* software and documentation updates
- \* all parts and labor
- \* predictable costs

**Toll Free Hot-line** (800) 241-6580

When you have a question about your DECmate hardware or software, you need an immediate response. Dedicated office system specialists are only a phone call away at the Customer Services Support Center in Atlanta. Trouble-shooting is their business. DIGITAL office product specialists know your system's features and its capabilities. They are trained in all aspects of DECmate's operation. Once your problem is defined, a specialist will assign the appropriate hardware and/or software resource to resolve it - the first time, on time, every time.

Should on-site hardware assistance become necessary, a local service representative will be dispatched to your site. Your service needs will be given priority over those of all non-contracted customers. Once remedial maintenance has begun, it will continue through all coverage hours, until your system is completely operational again.

## DECmate Service - key benefits (cont'd)

### Toll Free Hot-line (cont'd)

Should remedial maintenance exceed acceptable time limits, our "Problem Escalation Procedure" goes into effect. DECmate Service places priority on all back-up technical and management resources at an early stage, when they can be of most assistance in reducing repair time and increasing your system availability.

### Equipment engineering modifications

Once you have purchased your DECmate you want to be sure it will always reflect the most advanced "state of the art" computer technology. With the installation of field engineering changes, DECmate Service ensures your system's compatibility with any future options and software offerings. As new technological developments are made, the applicable hardware updates and enhancements are installed at your site. These changes help maintain the value of your system as long as you own it.

### Software and documentation updates

To help you keep pace with changing technology, DECmate Service supplies you with any software product improvements and documentation refinements, automatically. You will receive updates and changes tailored specifically to your DECmate word processing software. Each update is designed to help improve your system's efficiency and your programmer's productivity.

### All parts and labor

DECmate Service facilitates your budget planning and control with a fixed monthly charge for all parts, materials and labor within the contracted hours. Technical support is provided by qualified professionals with in-depth training in specialized areas as well as in overall system maintenance. Since we know your system availability is critical to your business, our Service Representatives make every effort to perform remedial maintenance quickly and efficiently. Your Service Representative has quick access, 24 hours a day, 7 days a week, to an inventory of all parts and materials stocked at DIGITAL'S local branch and Regional Distribution Centers worldwide.

## Predictable costs

Budget planning and control are made considerably easier because all expenses associated with the maintenance of your DIGITAL computer system are covered by a fixed monthly charge. There are no hidden charges.

The DECmate Service is also available with a guaranteed response time for on-site hardware assistance and continuous hardware remedial service at an additional charge.

For more information on the DECmate Service Agreement contact either your local Digital Field Service Branch Office or dial toll free (800) 241-6580.

If you do NOT run Word Processing Software, the following services are available.

### Basic service

A hardware only service with the same features as DECmate Service except for NO toll free hotline for solution of word processing software problems and NO software and documentation updates.

### DECservice

At an additional charge, DECservice provides the same as Basic Service but with a guaranteed response time for on-site hardware assistance and continuous hardware remedial service.

### PerCall Service

PerCall Service is maintenance on a noncontractual time and materials basis. You are charged portal-to-portal for mileage and labor with additional charges for parts used.

This service is also available as a supplement to service agreement customers who occasionally require service outside their coverage hours. Customers with a DIGITAL Service Agreement are not charged for materials.

### DECmailer

DECmailer Service is available to you if you are a self-maintenance customer. It provides a repair service for modules and subassemblies with a five day turnaround at a Digital Repair Center.

For further information on any of the above services contact your local DIGITAL Field Service Branch Office.

## **Training Opportunities**

Contact the following DIGITAL organizations and persons for information about courses, individualized training, or self-paced training manuals.

- \* Local DIGITAL Computer Store
- \* Your DIGITAL Sales Representative
- \* Educational Services

## **Supplies and Accessories**

The following table lists some of the supplies and accessories that may be purchased through your DIGITAL Sales Representative or directly through your nearest DIGITAL Accessories and Supplies Center.

The Accessories and Supplies center will take your order, arrange for installation, and provide product and configuration information. Although the table below gives you an idea of the kinds of items available, you can get a complete list from DIGITAL's Accessories and Supplies Centers by requesting the Accessories and Supplies Catalogue. For your copy call or write to:

Digital Equipment Corp.  
5001 B. Forbes Boulevard  
Lanham, MD 20801  
(301) 459-9272  
Annapolis: (301) 721-2400  
Baltimore: (301) 792-2206

Digital Equipment Corp.  
1010 Knox Street  
Torrance, CA 90502  
(213) 532-5622

Digital Equipment Corp.  
1050 East Remington Road  
Schaumburg, IL 60195  
(312) 640-5612

Digital Equipment Corp.  
632 Caribbean Drive  
Sunnyvale, CA 94086  
(408) 734-4915

Description	Model Number
<p>Second RX02 Diskette Drive Unit</p> <p>Box of 10 diskettes in library case</p> <p>Five RX01K-10</p> <p>Ten RX01K-10</p> <p>Diskette storage binder and five inserts</p> <p>Keyboard Holder for DECmate Pedestal System</p> <p>Extended Worksurface for DECmate Pedestal System (Gray)</p> <p>Modem Holder for DECmate Pedestal System (Gray)</p> <p>Text Holder for DECmate Pedestal System</p>	<p>RX78-BA</p> <p>RX01K-10</p> <p>RX01K-50</p> <p>RX01K-A0</p> <p>RX01K-AE</p> <p>H974-BA</p> <p>H974-CC</p> <p>H974-DC</p> <p>H974-EA</p>
<p>LA34 ribbon cartridge, three per box</p> <p>LA34 low paper sensor for roll paper</p> <p>LA34 printer stand</p> <p>LA34 printer stand casters (set of 2)</p> <p>LA34 paper out switch for fanfold paper</p> <p>Wireform paper catch for LAX34-SL</p> <p>Wireform paper shelf for LAX34-SL</p> <p>Wireform paper tray for LA34</p>	<p>LA34R-03</p> <p>LAX34-LL</p> <p>LAX34-SL</p> <p>LAX34-SM</p> <p>LAX34-PL</p> <p>LAX34-SP</p> <p>LAX34-SQ</p> <p>LAX34-SW</p>



Description	Model Number
Roll paper holder	LAX34-RL
Fanfold paper tractors	LAX34-AL
Keypad option, 14 keys	LAX34-KL
Heavy gauge vinyl dust cover for LA34 with roll-paper option	H9850-HA
Heavy gauge vinyl dust cover for LA34 with tractor option	H9850-HB
12 LA120 nylon ribbons	36-12153-01
12 Doz. 36-12153-01	36-12153-03
60 Doz. 36-12153-01	36-12153-04
14 7/8" x 11" 1/2" green & white bar, 18 lb., 1-part, 2600 sheets per box	H9850-PA
5 boxes H9850-PA	H9850-LC
10 boxes H9850-PA	H9850-LD
14 7/8" x 11" 1/2" green & white bar, 15 lb., 2-part, carbon, 1300 sheets per box	H9850-PB
14 7/8" x 11" 1/2" green & white bar, 15 lb., 4-part, carbon, 650 sheets per box	H9850-PC
14 7/8" x 11" 1/2" green & white bar, 2-part carbonless, 1500 sheets per box	9850-PD
14 7/8" x 11" 1/2" green & white bar, 4-part carbonless, 700 sheets per box	9850-PE

Description	Model Number
<p>Copy holder</p> <p>Accessory kit (includes one LAXX-KB, one LAXX-KC, and one LAXX-KD)</p> <p>10 Accessory kits</p> <p>Caster set, 2 pieces</p> <p>10 Accessory kits (LAXX-KB)</p> <p>Worksurface shelf, 24" long x 15" wide x 2 " high</p> <p>10 Accessory kits (LAXX-KC)</p> <p>Wire shelf, 10 1/2" long x 18" wide x 2" high</p> <p>10 Accessory kits (LAXX-KD)</p>	<p>H981-A</p> <p>LAXX-KA</p> <p>LAXX-UA</p> <p>LAXX-KB</p> <p>LAXX-UB</p> <p>LAXX-KC</p> <p>LAXX-UC</p> <p>LSXX-KD</p> <p>LAXX-UD</p>
<p>Paper basket, 12" long x 16" wide, 13" high</p> <p>10 Accessory kits (LAXX-NC)</p> <p>Heavy guage vinyl dust cover, charcoal brown</p> <p>Antistatic floor mat, 4 x 6 ft. Several colors available.</p>	<p>LAXX-NC</p> <p>LAXX-UE</p> <p>H9850-HL</p> <p>H9859-DA</p>
<p>Bidirectional forms tractor for letter quality printer</p>	<p>LQPXX-AA</p>

Description	Model Number
<p>Word Processing starter kit (includes: 2 boxes continuous-form paper H9850-PH, 2 boxes of mylar ribbons LQP01-KB, 2 boxes of nylon ribbons LQP01-KB, 2 boxes of printwheels; Elite 12 (LQP01-PC) and Courier 72 (LQP01-PD) 3 boxes of diskettes (RX01K-10), and one flexible ruler with pica and elite divisions.</p>	<p>WP31K-ST</p>
<p>6 Printwheels, Courier 10</p>	<p>LQP01-PA</p>
<p>6 Printwheels, Pica 10</p>	<p>LQP01-PB</p>
<p>6 Printwheels, Elite 12</p>	<p>LQP01-PC</p>
<p>6 Printwheels, Courier 72</p>	<p>LQP01-PD</p>
<p>6 Printwheels, French Prestige Cubic</p>	<p>LQP01-PE</p>
<p>6 Printwheels, General Scientific</p>	<p>LQP01-PF</p>
<p>6 Printwheels, OCR-B</p>	<p>LQP01-PH</p>
<p>6 Printwheels, Courier Legal 10A</p>	<p>LQP01-PJ</p>
<p>RL02 disk - 10M byte data cartridge</p>	<p>RL02K-DC</p>

## Chapter 9 U.S. Environment and Power Requirements

This chapter lists the DECmate's environmental requirements - ranges of temperature, humidity, and so on, that must be maintained for your DECmate to operate properly.

A poor environment or inadequate power supply can affect equipment reliability. You are required to comply with the specifications outlined for the DECmate system that you have.

Your building's engineers should study the specifications in this chapter and determine whether humidifiers, dehumidifiers, or special equipment is necessary.

DECmate SYSTEM ENVIRONMENT and POWER REQUIREMENTS	CONDITIONS NEEDED DURING SYSTEM OPERATION	WHAT THIS MEANS TO YOU
Temperature	<p>Maximum range: 59 to 90 F (+15 to 32 C)</p> <p>Recommended: 65 to 75 F (18 to 24 C)</p>	<p>If you have trouble keeping your office within the recommended temperature range, you may have to consider air conditioning.</p> <p>Note: <u>Do not</u> operate the system near heating or cooling devices, large windows, or doors that open to the outside. Rapid temperature changes affect the system's operation.</p>
Relative Humidity	<p>Maximum range: 20 to 80%</p> <p>Recommended: 40 to 60%</p>	<p>A low humidity level can cause static electricity, which affects DECmate's operation. If the humidity level in your office is too low, you may have to consider a humidifier. On the other hand, an office that is too humid can also adversely affect DECmate's operation, and a dehumidifier may be needed to correct the situation.</p> <p>Vinyl tile or anti - static carpet are recommended to minimize static electricity.</p> <p>Note: <u>Do not</u> operate the system heating or cooling devices, near large windows, or doors that open to the outside. Rapid humidity changes affect the system's operation.</p>
Maximum Altitude	8,000 Feet (2.4 Kilometers)	

DECmate SYSTEM ENVIRONMENT and POWER REQUIREMENTS	CONDITIONS NEEDED DURING SYSTEM OPERATION	WHAT THIS MEANS TO YOU
System Placement	Allow 6 inches (15 centimeters) of airspace on all sides of the system.	Six inches (fifteen centimeters) of unobstructed air-space on all sides of the system allows easy access for maintenance and adequate airflow to the cooling fans.
<p>Total Power Needed All Configurations:</p> <p>Minimum System Configuration:</p> <p>Maximum System Configuration:</p>	<p>Line Voltage:</p> <p>120 nominal volts, 3-wire, single phase</p> <p>Line frequency:</p> <p>59.5 to 60.5 Hz</p> <p>Service:</p> <p>15-amp service</p> <p>Power:</p> <p>3.1 amp maximum at 120 volts</p> <p>315 watts</p> <p>Power:</p> <p>8.6 amp maximum at 120 volts</p> <p>985 watts</p>	<p>Most wall outlets in North America deliver 120 volts, have a line frequency of 60 Hz (hertz), are single phase and are 3 wire. However, you should check with an electrician to make sure you have a 3-wire, <u>grounded</u>, 15-amp service.</p> <p><b>Important:</b></p> <p>Each DECmate system should be on its own circuit breaker. Power circuits should be clean, stable, and noise free. Other office machines, coffee pots, electric pencil sharpeners, or the like must not be plugged into lines using the same circuit breaker that your DECmate is using.</p> <p>Also, your electrical system must conform to all applicable national and local codes and ordinances.</p> <p>The next page contains detailed power requirements.</p>
<p>BTU Output</p> <p>Minimum System Configuration</p> <p>Up to Maximum System Configuration</p>	<p>1075 BTU/hour</p> <p>3360 BTU/hour</p>	<p>If your office is normally at the high end of the temperature range, the DECmate system may create enough BTUs to necessitate air conditioning.</p>

## Chapter 10

# European Environment & Power Requirements

This chapter lists the DECmate's environmental requirements - ranges of temperature, humidity, and so on, that must be maintained for your DECmate to operate properly.

A poor environment or inadequate power supply can affect equipment reliability. You are required to comply with the specifications outlined for the DECmate system that you have.

Your building's engineers should study the specifications in this chapter and determine whether humidifiers, dehumidifiers, or special equipment is necessary.

DECmate SYSTEM ENVIRONMENT and POWER REQUIREMENTS	CONDITIONS NEEDED DURING SYSTEM OPERATION	WHAT THIS MEANS TO YOU
Temperature	<p>Maximum range: 59 to 90 F (+15 to 32 C)</p> <p>Recommended: 65 to 75 F (18 to 24 C)</p>	<p>If you have trouble keeping your office within the recommended temperature range, you may have to consider air conditioning.</p> <p>Note: <u>Do not</u> operate the system heating or cooling devices, near large windows, or doors that open to the outside. Rapid temperature or humidity changes affect the system's operation.</p>
Relative Humidity	<p>Maximum range: 20 to 80%</p> <p>Recommended: 40 to 60%</p>	<p>A low humidity level can cause static electricity, which affects DECmate's operation. If the humidity level in your office is too low, you may have to consider a humidifier. On the other hand, an office that is too humid can also adversely affect DECmate's operation, and a dehumidifier may be needed to correct the situation.</p> <p>Vinyl tile or anti-static carpet are recommended to minimize static electricity.</p>
Maximum Altitude	8,000 Feet (2.4 Kilometers)	
System Placement	Allow 6 inches (15 centimeters) of airspace on all sides of the system.	Six inches (fifteen centimeters) of unobstructed airspace on all sides of the system allows easy access for maintenance and adequate airflow to the cooling fans.



DECmate SYSTEM ENVIRONMENT and POWER REQUIREMENTS	CONDITIONS NEEDED DURING SYSTEM OPERATION	WHAT THIS MEANS TO YOU
<p>Total Power Needed All Configurations</p> <p>Minimum System Configuration:</p> <p>Maximum System Configuration:</p>	<p>Line Voltage: 220-240 nominal volts, 1N+PE</p> <p>Line frequency: 47 to 63 Hz</p> <p>Power: 1.5 amp maximum at 240 volts 250 watts</p> <p>Power: 4.3 amp maximum at 240 volts 800 watts</p>	<p>Most wall outlets in Europe deliver 240 volts, have a line frequency of 50/60 Hz (hertz), are single phase and are 3 wire. However, you should check with an electrician to make sure you have a 3 wire, <u>earthed</u>, service.</p> <p><b>Important:</b></p> <p>Each DECmate system should be on its own circuit breaker. Power circuits should be clean, stable, and noise free. Other office machines, coffee pots, electric pencil sharpeners, or the like must not be plugged into lines using the same circuit breaker that your DECmate is using on.</p> <p>Also, your electrical system must conform to all applicable national and local codes and ordinances.</p> <p>The next page contains detailed power requirements.</p>
<p>BTU Output</p> <p>Minimum System Configuration</p> <p>Up to Maximum System Configuration</p>	<p>1075 BTUs/hour</p> <p>3360 BTUs/hour</p>	<p>If your office is normally at the high end of the temperature range, the DECmate system may create enough BTUs to necessitate air conditioning.</p>

# Index

- Access number (DECnumber), i
- Accessories and supplies, 8-4
  - ordering, 8-4
- Basic Service, 8-3
- Basic System
  - description, 2-3
  - installation, 2-6 to 2-12
- Baud rate (LA120)
  - setting, 4-7
  - Table, 7-8
- Bidirectional tractor
  - loading paper, 4-18
- Brightness
  - screen, 5-18
- Clock, 5-9
- Communications
  - automatic redialing of last host
    - telephone number used, 7-7
  - controlling screen display rate, 7-6
  - dial host from keyboard, 7-6
  - description of, 7-1, 7-2
  - stopping communications, 7-6
  - terminal mode communication
    - Mode I: hardwired connection, 7-3
    - Mode II: modem connection, 7-3
- Communications Option, 5-10
- DECmailer, 8-3
- DECmate
  - care and maintenance, 5-21
  - configurations, 1-1, 2-1
  - turning on
    - Basic and Minidesk system, 5-1
    - Pedestal system, 5-1
- DECmate Services, 8-1
- DECmate Service Agreement, 8-3
- DECnumber (Access Number), i
- DECprinter III (LA120 Matrix Printer)
  - accessories, 8-4
  - adjusting print head, 4-3
  - changing ribbon, 4-3
  - installing, 3-1, 3-3 to 3-8
  - loading paper, 4-5
  - opening cover, 4-2
  - setting baud rate, 4-7
  - turning on power, 5-4
- DECservice, 8-3
- DECwriterIV (LA34 Matrix Printer)
  - changing ribbon, 4-10
  - installing, 3-1, 3-9 to 3-14
  - loading paper, 4-12
  - turning on power, 5-4
- DF02 modem
  - see Modem
- Disk (RL02)
  - care and handling, 5-23
  - description of, 6-2
  - installing, 6-4
  - removing, 6-8
  - starting software, 6-10
  - self-test, 6-11
- Diskettes
  - care and maintenance, 5-22
  - inserting into drives
    - Basic and Minidesk systems, 5-6
    - Pedestal systems, 5-6
  - System Test Diskette, 5-5, 6-12
- Dual-drive systems
  - description, 2-4
  - installation, 2-6 to 2-21
- Environment
  - and power requirements,
    - European, 10-1
    - U.S., 9-1
- Fault light
  - RL02 drives, 6-13
- Forward-directional tractor feed
  - loading paper, 4-17
- Host computer
  - automatic redialing of last host
    - telephone number used, 7-7
  - dialing into (through modem), 7-3
- Installation
  - Basic system, 2-3 to 2-12
  - Dual-drive with Minidesk, 2-4 to 2-21
  - Pedestal, 1-3 to 1-21
    - with Extended Worksurface, 1-5 to 1-21
    - with Keyboard Holder, 1-4 to 1-21
  - Quad-drive with Minidesk, 2-5 to 2-26

- Key click
  - see Set-Up Mode
- Keyboard indicators
  - during self-test, 5-3
- LA100
  - installing, 3-17
  - installing supplies, 4-29
- LA-120 Matrix Printer (see DECprinter III)
- LA-34 Matrix Printer (see DECwriter IV)
- Letter Quality Printer (LQP)
  - changing ribbon, 4-15
  - installing, 3-1, 3-15
  - changing printwheel, 4-16
  - loading paper
    - bidirectional tractor, 4-18
    - forward-directional tractor, 4-17
  - removing cover, 4-14
- Load button, 6-3
- Local Mode, see Set-Up Mode
- LQP (see Letter Quality Printer)
- LQP02
  - changing ribbon, 4-22
  - installing, 3-1, 3-15
  - loading paper
    - Automatic Sheet Feeder, 4-28
    - forms tractor, 4-25
    - manual feed, 4-24
  - remove cover, 4-21
  - replace printwheel, 4-23
  - turning on power, 5-4
- Maintenance and care
  - DECmate system, 5-21
  - diskettes, 5-22
  - disks (RL02), 5-23
- Memory, 5-8
- Mode letter
  - Table, 7-9
- Modem (DF01, DF02, DF03)
  - communicating with a host computer, 7-2
  - installing, 7-1, 7-2
- Operating conditions
  - suggested, 9-1, 10-1
- Operation
  - of DECmate system, 5-1
- Paper
  - loading into LQP bidirectional tractor, 4-18
  - loading into LQP forward-directional tractor, 4-17
  - loading into LA-120, 4-5
  - loading into LA-34, 4-12
  - loading into LQP02, 4-24
- Pause button, 4-14
- PerCall Service, 8-3
- Power
  - turning on
    - Basic and Minidesk system, 5-2
    - Pedestal system, 5-2
- Power requirements
  - European, 10-1
  - U.S., 9-1
- Power Switch
  - Basic and Mini-desk system, 5-2
  - Pedestal system, 5-2
- Print screen, see Set-Up Mode
- Print head
  - on LA-120, 4-3
- Printwheels
  - changing in LQP, 4-16
  - replacing in LQP02, 4-23
- Printer
  - see DECprinter III, DECwriter IV, LQP, LQP02
- Problems
  - during system test, 5-12
- Quad-drive system
  - description, 2-5
  - installation, 2-6 to 2-26
- Ready light, 6-13
- Reset system, 5-19
- Ribbon
  - changing in LA-120, 4-3
  - changing in LQP, 4-15
  - changing in LA-34, 4-10
  - changing in LQP02, 4-22
- RL02 disk, see Disk (RL02)
- RL02 Drive, vii, 6-1
- RX02 diskette drive, vii, 2-1 to 2-6
- RX02-P pedestal, vii, 1-1 to 1-6

## Self-test

- disk (RL02), 6-11
- keyboard indicators during, 5-3

## Services, 8-1

### Set-Up Control Panel

- on LA120, 4-7

### Set-Up Mode

- entering, 5-18
- exiting, 5-18
- functions
  - adjusting screen brightness, 5-18
  - local mode, 5-19
  - print screen, 5-20
  - reset system, 5-19
  - start software, 5-20, 6-10
  - stop and start key click, 5-20
  - terminal mode, 5-21

## Supplies and Accessories, 8-4

### System

- care and maintenance, 5-21
- resetting, 5-19

### System configurations

- descriptions, 1-1, 2-1

### System installation

- see Installation

### System Test Diskette, 5-5, 6-12

## Terminal Mode

- Mode I: hard-wired connection, 7-3

- Mode II: modem connection, 7-3

## Test diskettes

- explanation of display, 5-8
- inserting into drives, 5-6, 6-12
- locating, 5-5
- running test, 5-5, 6-12

## Testing system

- Basic and Minidesk DECmates, 5-5
- Pedestal DECmates, 5-5

## Toll-Free Number, i, 8-1

## Tractors

- on DECprinter III, 4-5
- on DECwriter IV, 4-12
- on Letter Quality Printer, 4-17, 4-18
- on LQP02, 4-25

## Video data processor (terminal),

- unpacking, 1-6, 2-6

## Write Prot button, 6-12

# HOW TO ORDER ADDITIONAL DOCUMENTATION

## DIRECT TELEPHONE ORDERS

In Continental USA  
and Puerto Rico  
call **800-258-1710**

In Canada  
call **800-267-6146**

In New Hampshire,  
Alaska or Hawaii  
call **603-884-6660**

## DIRECT MAIL ORDERS (U.S. and Puerto Rico\*)

DIGITAL EQUIPMENT CORPORATION  
P.O. Box CS2008  
Nashua, New Hampshire 03061

## DIRECT MAIL ORDERS (Canada)

DIGITAL EQUIPMENT OF CANADA LTD.  
940 Belfast Road  
Ottawa, Ontario, Canada K1G 4C2  
Attn: A&SG Business Manager

## INTERNATIONAL

DIGITAL EQUIPMENT CORPORATION  
A&SG Business Manager  
c/o Digital's local subsidiary  
or approved distributor

Internal orders should be placed through the Software Distribution Center (SDC), Digital Equipment Corporation, Northboro, Massachusetts 01532

\*Any prepaid order from Puerto Rico must be placed  
with the Local Digital Subsidiary:  
809-754-7575

# Reader's Comments

Your comments and suggestions are welcome. They will help us in our continuous effort to improve the quality and usefulness of our publications.

1. How would you rate this manual for:

	good	fair	poor
completeness of information	_____	_____	_____
accuracy of information	_____	_____	_____
ease of use (clarity, organization)	_____	_____	_____

2. Did you find errors in this manual? Please specify by page and paragraph, or mark corrections on pages and attach copies to this form.

	page	paragraph
a) Incorrect information:	_____	_____
b) Information left out:	_____	_____
c) Hard to understand:	_____	_____

3. What suggestions do you have for improving this manual?

\_\_\_\_\_

\_\_\_\_\_

\_\_\_\_\_

4. What parts of the manual were especially good at helping you understand things?

\_\_\_\_\_

\_\_\_\_\_

\_\_\_\_\_

5. Please check the boxes that apply to you.

- |  |  |
|--|--|
| <input type="checkbox"/> Technical             | <input type="checkbox"/> Used other word processors            |
| <input type="checkbox"/> Nontechnical          | <input type="checkbox"/> Used computers                        |
| <input type="checkbox"/> Management            | <input type="checkbox"/> Use the word processing unit yourself |
| <input type="checkbox"/> Nonmanagement         |  |
| <input type="checkbox"/> Other (explain) _____ |  |

Name \_\_\_\_\_ Title \_\_\_\_\_

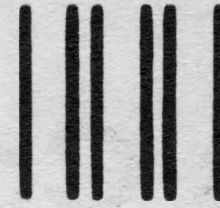
Company \_\_\_\_\_

Street \_\_\_\_\_ City \_\_\_\_\_

State \_\_\_\_\_ Zip \_\_\_\_\_ Date \_\_\_\_\_

---Do Not Tear - Fold Here and Tape---

**digital**



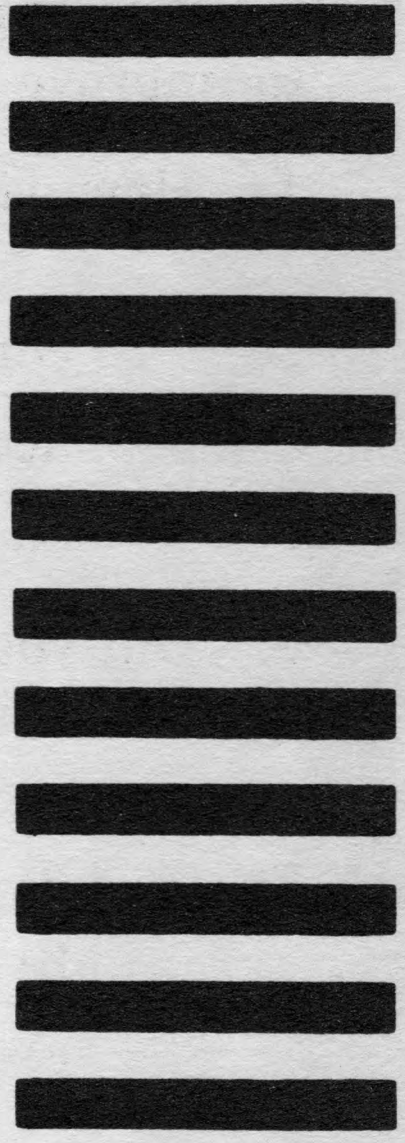
No Postage  
Necessary  
if Mailed in the  
United States

**BUSINESS REPLY MAIL**

FIRST CLASS PERMIT NO.33 MAYNARD MASS.

POSTAGE WILL BE PAID BY ADDRESSEE

ATTN: Commercial Engineering Publications MK1-2/E06  
Office Products Documentation Group  
DIGITAL EQUIPMENT CORPORATION  
CONTINENTAL BOULEVARD  
MERRIMACK N.H. 03054



---Do Not Tear - Fold Here and Tape---

Cut Along Dotted Line